

# Masport®

## EXPORT REEL LAWN MOWER

### MASPORT 500

| <u>Part Number</u> | <u>Model</u>  | <u>Serial Number</u> | <u>Engine</u> |
|--------------------|---------------|----------------------|---------------|
| 019091             | R/MWR 500 PRR | 7412516              | B&S 3.5 IC    |

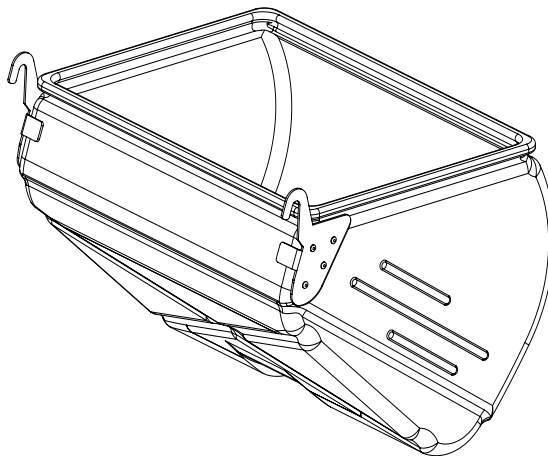
Month and Year of First Manufacture - Nov 2011  
Starting Serial Number - 7412516



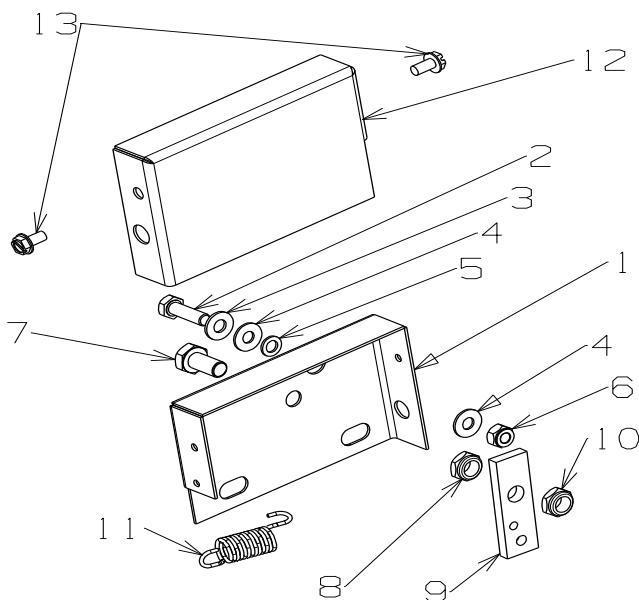
## NOT ILLUSTRATED

|               |   |
|---------------|---|
| <b>031891</b> | <b>Decal, Trans Cvr 500</b>             |
| <b>031894</b> | <b>Decal, G/Catcher 500</b>             |
| <b>031888</b> | <b>Decal, Caution S/N &amp; Db 500</b>  |
| <b>031900</b> | <b>Decal, Caution, Feet &amp; Hands</b> |
| <b>571100</b> | <b>Decal - Power Drive</b>              |
| <b>031992</b> | <b>Owner Manual, Reel Mower</b>         |

| Part No       | Description                            | Qty      |
|---------------|--|----------|
| <b>731969</b> | <b>Catcher Assy, 500 Plastic Green</b> | <b>1</b> |



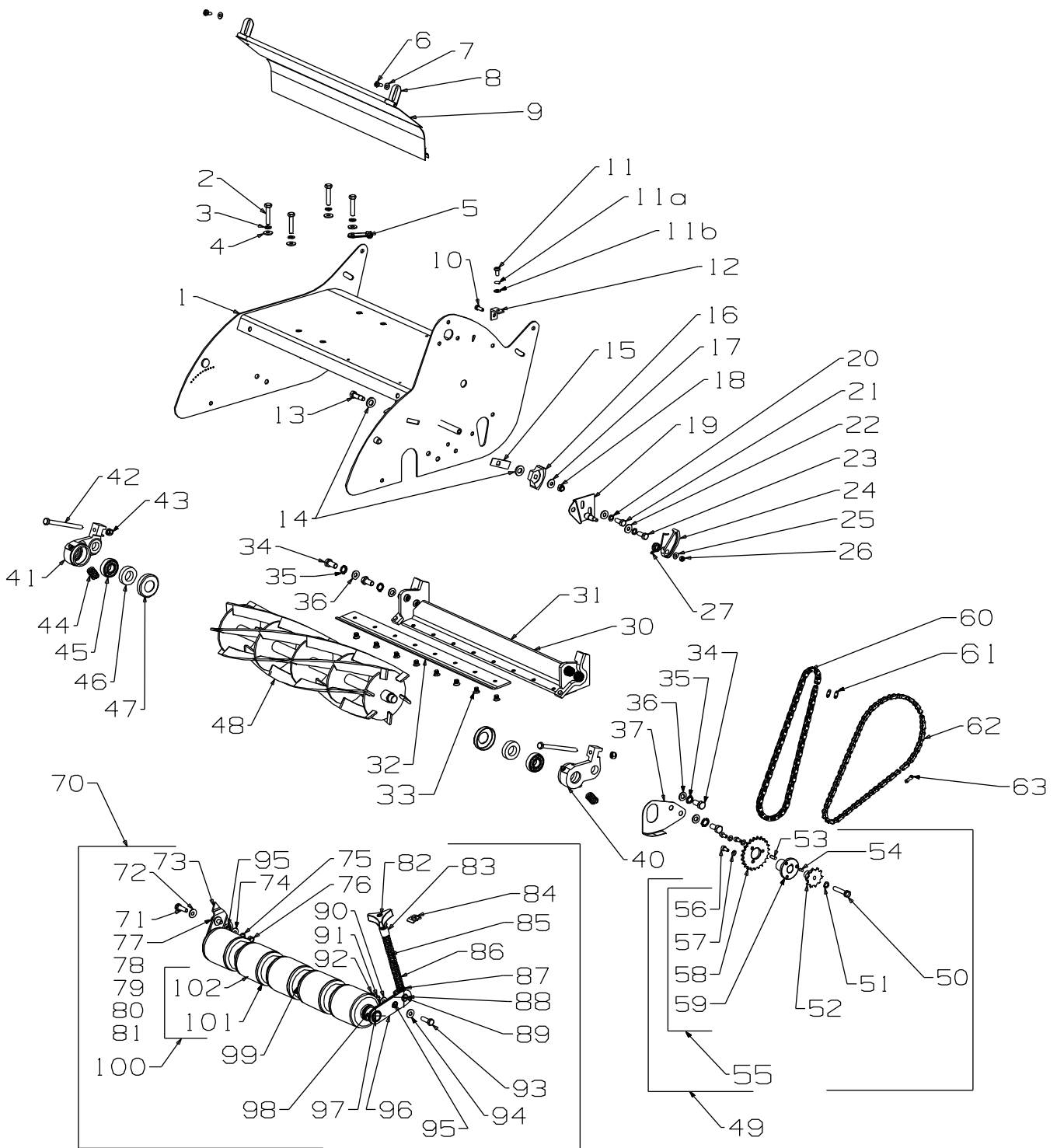
## OPC Safety Cut Out Assy



| Item No | Part No | Description              | Qty |
|---------|---------|--------------------------|-----|
| 1       | 031880  | Safety Switch Housing    | 1   |
| 2       | 501600  | Screw,Set M6x16 Hex      | 1   |
| 3       | 501703  | Washer,Fit M6x14x1.2     | 1   |
| 4       | 031883  | Washer,Fibre M6x14x1     | 2   |
| 5       | 031884  | Washer,Fibre M6x10x1     | 1   |
| 6       | 501764  | Nut,M6 Nyloc x 6mm Thick | 1   |
| 7       | 501594  | Screw,Set M8x20 Hex      | 1   |
| 8       | 503831  | Nut,M8 Nyloc x 6mm Thick | 1   |
| 9       | 031885  | Safety Switch Lever Arm  | 1   |
| 10      | 503831  | Nut,M8 Nyloc x 6mm Thick | 1   |
| 11      | 031886  | Spring                   | 1   |
| 12      | 031881  | Safety Switch Cover      | 1   |
| 13      | 580540  | Screw,S/T M5x10 POZ      | 2   |

## NOT ILLUSTRATED

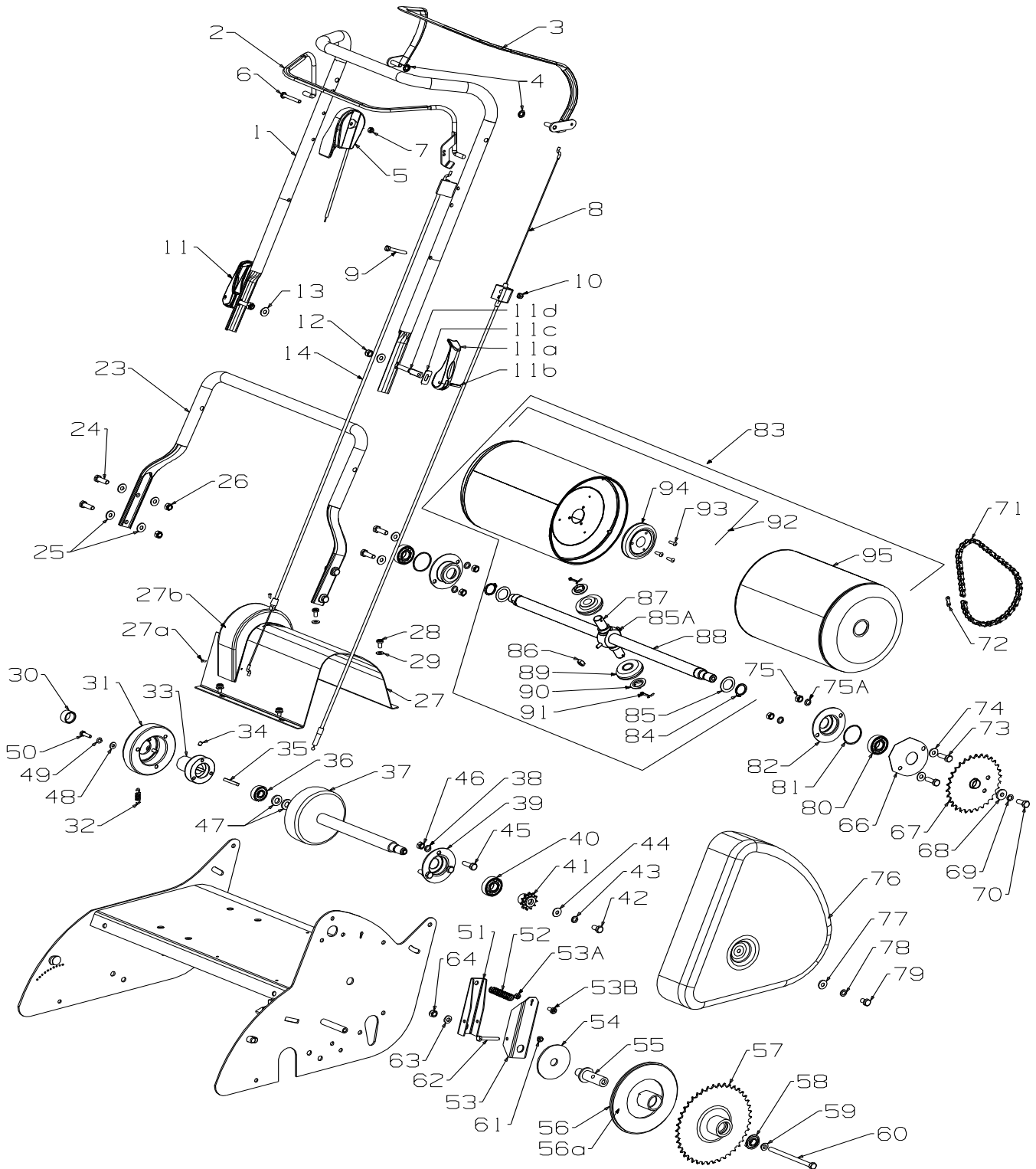
|  |                                   |          |
|--|-----------------------------------|----------|
| <b>031906</b>                                    | <b>Safety Switch Loom B&amp;S</b> | <b>1</b> |
| <b>(Fit spade onto item 2 prior to assembly)</b> |                                   |          |



| Item No | Part No | Description             | Qty | Item No | Part No | Description           | Qty |
|---------|---------|-------------------------|-----|---------|---------|-----------------------|-----|
| 1       | 031590  | Chassis Assy- 500 Green | 1   | 8       | 002589  | Bracket, Grass Chute  | 2   |
| 2       | 501843  | Screw, Set M8x40 Hex    | 4   | 9       | 008901  | Deflector, Grass- 500 | 1   |
| 3       | 503747  | Washer, Spg 8           | 4   | 10      | 501702  | Screw, Set M6x16 Hex  | 1   |
| 4       | 501606  | Washer, Flt 8x19x1.6    | 4   | 11      | 503591  | Screw, Pan M6x12      | 1   |
| 5       | 581527  | Retainer, Clutch Cable  | 1   | 11a     | 500201  | Washer, Spg 6         | 1   |
| 6       | 503591  | Screw, Pan M6x12        | 2   | 11b     | 501703  | Washer, Flt 6x14x1.2  | 1   |
| 7       | 501703  | Washer, Flt 6x14x1.2    | 2   | 12      | 031915  | Bracket- Chain Cover  | 1   |

When ordering PLEASE QUOTE PART NUMBER & Description, NOT Illustration No.  
 Determine right or left hand side from standing in operating position (standing at handle)

| Item No | Part No | Description   | Qty | Item No | Part No | Description                     | Qty |
|---------|---------|---|-----|---------|---------|---------------------------------|-----|
| 13      | 002848  | Bolt- Adjuster, Chain   | 1   | 55      | *032045 | Sprocket Assy - 23 Key          | 1   |
| 14      | 006028  | Washer, Flt 12x22x3.0   | 2   |         |         | (incl items 56,57,58 and 59)    |     |
| 15      | 002845  | Sealplate- Chain Adjuster   | 1   | 56      | *502004 | Screw,Cap M6x12                 | 3   |
| 16      | 002844  | Adjuster- Chain, Fixed Nylon  | 1   | 57      | *500201 | Washer, Spg 6                   | 3   |
| 17      | 501606  | Washer, Flt 8x19x1.6  | 1   | 58      | *032003 | Sproket 23T                     | 1   |
| 18      | 501793  | Nut, M8 Hex Nyloc 8 Thck  | 1   | 59      | *032001 | Boss Sprocket Key               | 1   |
| 19      | 004942  | Plate Assy, Mounting  | 1   |         |         | ==                              |     |
| 20      | 503747  | Washer Spg 8  | 2   | 60      | 002835  | Chain, 0.23xP 3/8, 75P          | 1   |
| 21      | 502106  | Screw, Set M 8X 16 Hex  | 1   | 61      | *731972 | Link, Chain 3/8                 | 1   |
| 22      | 501606  | Washer, Flt 8x19x1.6  | 2   | 62      | 004299  | Chain, 0.205xP 1/2, 59P         | 1   |
| 23      | 501597  | Screw, Set M8x20 Hex  | 1   | 63      | *731971 | Link, Chain 1/2                 | 1   |
| 24      | 004963  | Adjuster- Chain, Tension Nylon                                      | 1   |         |         | ==                              |     |
| 25      | 501703  | Washer, Flt 6x14x1.2  | 1   | 70      | 005014  | Spindle & Brkt Assy 500         | 1   |
| 26      | 501764  | Nut, M6 Hex Nyloc 6 Thck  | 1   | 71      | *501598 | Screw, Set M8x25 Hex            | 1   |
| 27      | 004945  | Spring  | 1   | 72      | *501606 | Washer, Flt 8 x 19 x 1.6        | 1   |
|         |         | ==  |     | 73      | *004983 | Bracket- Front Roller, RH       | 1   |
| 30      | 009855  | Backplate Brkt, Blade Assy 500<br>(incl items,31,32,33)             | 1   | 74      | *501606 | Washer, Flt 8x19x1.6            | 1   |
| 31      | *009862 | Bracket Assy Backplate 500  | 1   | 75      | *503747 | Washer, Spg 8                   | 1   |
| 32      | *009873 | Blade, Baseplate 500  | 1   | 76      | *501602 | Nut, M8 Hex                     | 1   |
| 33      | *008611 | Screw, CSK M8x10 Allen Head   | 8   | 77      | *501597 | Screw, Set M8x20 Hex            | 1   |
|         |         | ==  |     | 78      | *501606 | Washer, Flt 8x19x1.6            | 1   |
| 34      | 501760  | Screw, Set M10x20 Hex   | 4   | 79      | *501606 | Washer, Flt 8x19x1.6            | 1   |
| 35      | 503897  | Washer, Spg 10  | 4   | 80      | *503747 | Washer, Spg 8                   | 1   |
| 36      | 501704  | Washer, Flt 10x19x1.6   | 4   | 81      | *501602 | Nut, M8 Hex                     | 1   |
| 37      | 002561  | Plate- Seal, Chaincase  | 1   | 82      | *574230 | Knob- Plastic, M8 Insert        | 1   |
| 40      | 032023  | Housing- Assy Bearing, LH   | 1   | 83      | *031910 | Spacer- Knob                    | 1   |
| 41      | 032024  | Housing- Assy Bearing, RH   | 1   | 84      | *004973 | Plate Slipper                   | 1   |
| 42      | 006282  | Bolt, Set NF 5/16"x4" Hex   | 2   | 85      | *004988 | Spindle- Adj, Front Roller      | 1   |
| 43      | 007240  | Nut, NF 5/16 Hex Nyloc Type "P"                                     | 2   | 86      | *004691 | Spring- Height Adjust           | 1   |
| 44      | 002581  | Spring- Baseplate   | 2   | 87      | *501606 | Washer, Flt 8x19x1.6            | 1   |
| 45      | 503273  | Bearing, Ball 17x40x12 6203 2S                                      | 2   | 88      | *004990 | Spindle, Trunnion               | 1   |
| 46      | 002583  | Seal- Felt  | 2   | 89      | *032087 | Pin, Tension 3.0 x 16           | 1   |
| 47      | 005211  | Cover- Dust, Cylinder Bearing                                       | 2   | 90      | *501606 | Washer, Flt 8x19x1.6            | 1   |
| 48      | 032014  | Cylinder & Assy Cut Key 500   | 1   | 91      | *503747 | Washer, Spg 8                   | 1   |
| 49      | 032006  | Sprocket Assy - 10/23 Key<br>(Includes Items 50,51,52,53,54 and 55) | 1   | 92      | *501602 | Nut, M8 Hex                     | 1   |
| 50      | *501843 | Screw Set M8 x 40   | 1   | 93      | *501598 | Screw, Set M8x25 Hex            | 1   |
| 51      | *503747 | Washer Spg 8  | 1   | 94      | *501606 | Washer, Flt 8x19x1.6            | 1   |
| 52      | *032002 | Sproket 10T   | 1   | 95      | *004991 | Bush- Pivot, Front Roller       | 2   |
| 53      | *032004 | Key 5x5x10  | 1   | 96      | *004984 | Bracket Assy- Adj, Front Roller | 1   |
| 54      | *032005 | Key 5x5x16  | 1   | 97      | *004977 | Spindle Assy Front 500          | 1   |
|         |         | ==  |     | 98      | *007496 | Pin, Tension 6.0 x 30           | 1   |
|         |         |   |     | 99      | *501432 | Washer, Flt 20x33x4.0           | 10  |
|         |         |   |     | 100     | 031911  | Roller Front Assy (1)           | 5   |
|         |         |   |     | 101     | *005478 | Cap-End 72.3                    | 2   |
|         |         |   |     | 102     | *005476 | Shell-Front Roller 400/500      | 1   |



| Item No | Part No | Description        | Qty | Item No | Part No | Description                 | Qty |
|---------|---------|--------------------|-----|---------|---------|-----------------------------|-----|
| 1       | 773155  | Handle Upper R/MWR | 1   | 5       | 583458  | Control- Throttle,Hsng Wscn | 1   |
| 2       | 981740  | Bail Arm Assy, OPC | 1   | 6       | 503604  | Screw, Pan M6x45            | 1   |
| 3       | 982161  | Bail Arm Assy, SP  | 1   | 7       | 501764  | Nut, M6 Nylocx 6 Thck       | 1   |
| 4       | 501365  | Clip Starloc 5/16" | 2   | 8       | 031990  | Cable-Clutch, Thumb Wheel   | 1   |
|         |         |                    |     | 9       | 503558  | Screw, Set M6x45            | 1   |
|         |         |                    |     | 10      | 501764  | Nut, M6 Nyloc               | 1   |

| Item No | Part No | Description                      | Qty | Item No | Part No | Description                        | Qty |
|---------|---------|----------------------------------|-----|---------|---------|------------------------------------|-----|
| 11      | 980456  | Lever Handle Locking (1)         | 2   | 55      | 031840  | Post- Clutch                       | 1   |
| 11a     | *580313 | Lever Handle Locking             | 1   | 56      | 031986  | <b>Sprocket- Clutch Plate Assy</b> | 1   |
| 11b     | *503369 | Pin, Tension 5.0 x25             | 1   | 56a     | *031987 | Liner- Clutch Face Cork            | 1   |
| 11c     | *016777 | Washer Slipper                   | 1   | 57      | 031963  | Sprocket- 42T, Plate & Boss Assy   | 1   |
| 11d     | *580690 | Stud Handle Lock 64mm            | 1   | 58      | 503901  | Bearing, Ball 12x28x8 6001 2RSH    | 1   |
| 12      | *501793 | Nut M8 Hex Nylocx Thck           | 1   | 59      | 031965  | Washer- Centralizing Brass         | 1   |
| 13      | 501606  | Washer, Flat 8x19x1.6            | 2   | 60      | 503938  | Bolt, M8x120 Hex                   | 1   |
| 14      | 031878  | Cable-Engine,OPC                 | 1   | 61      | 501764  | Nut, M6 Nyloc 6 Thck               | 1   |
| 23      | 031849  | Handle- Lower, 500               | 1   | 62      | 580160  | Screw, Set M6x50 Hex               | 1   |
| 24      | 501597  | Screw, Set M8x20                 | 4   | 63      | 031842  | Washer, Thrust                     | 1   |
| 25      | 501606  | Washer, Flat 8x19x1.6            | 8   | 64      | 501793  | Nut, M8 Hex Nyloc 8 Thck           | 1   |
| 26      | 501793  | Nut, M8 Nylocx 8 Thck            | 4   | 66      | 002618  | Plate- Seal, Bearing               | 1   |
| 27      | 031909  | <b>Cover-Trans,500/660 Green</b> | 1   | 67      | 002604  | Sprocket & Boss Assy, Rear Roller  | 1   |
| 27a     | *503429 | Rivet Pop 3.2 x4.8 73 AS4-3      | 4   | 68      | 503872  | Washer, Flt 8x20x3.0               | 1   |
| 27b     | *031907 | Cover-Trans,Moulded-Green        | 1   | 69      | 503747  | Washer, Spg 8                      | 1   |
| 28      | 503591  | Screw, Set M6x12                 | 4   | 70      | 501717  | Screw, Set M8x20 1mm Pitch         | 1   |
| 29      | 501703  | Washer, Flt 6x14x1.2             | 4   | 71      | 004929  | <b>Chain, 3/16" x 1/2, 40P</b>     | 1   |
| 30      | 031958  | Spacer- Drive Shaft, 13mm        | 1   | 72      | *731971 | Link, Chain 1/2                    | 1   |
| 31      | 031912  | <b>Clutch- Drive Assy</b>        | 1   | 73      | 501597  | Screw, Set M8x20                   | 4   |
| 32      | *005634 | Clutch Spring                    | 3   | 74      | 501606  | Washer, Flt 8x19x1.6               | 4   |
| 33      | 031913  | Boss- Clutch, 19 Dia B&S         | 1   | 75      | 501602  | Nut, M8 Hex                        | 4   |
| 34      | 501719  | Screw, Grb M6x8                  | 2   | 75a     | 503747  | Washer, Spg 8                      | 4   |
| 35      | 536012  | Key- Engine 3/16"SQ x 38         | 1   | 76      | 031585  | Cover - Chaincase-Green            | 1   |
| 36      | 501213  | Bearing, Ball 12x32x10 6201 2RS  | 1   | 77      | 501606  | Washer, Flt 8x19x1.6               | 1   |
| 37      | 031587  | Drum Assy, Clutch 500/660        | 1   | 78      | 503747  | Washer, Spg 8                      | 1   |
| 38      | 503747  | Washer, Spg 8                    | 3   | 79      | 501863  | Screw Set, M8x12                   | 1   |
| 39      | 002834  | Housing- Bearing                 | 1   | 80      | 503273  | Bearing-Ball 17x40x12 6203 2S      | 2   |
| 40      | 503273  | Bearing-Ball 17x40x12 6203 2S    | 1   | 81      | 004292  | Ring-Bearing Housing               | 2   |
| 41      | 002818  | Sprocket- 11T, Drive             | 1   | 82      | 000409  | Housing-Bearing                    | 2   |
| 42      | 501715  | Screw, Set M8x15 1mm Pitch       | 1   | 83      | 031918  | <b>Roller-Rear Assy, Complete</b>  | 1   |
| 43      | 503747  | Washer, Spg 8                    | 1   | 84      | *007260 | Circlip- 7/8" ext                  | 2   |
| 44      | 501606  | Washer, Flt 8x18x1.6             | 1   | 85      | *002732 | Washer-Flt, 22 x 40 x 2            | 2   |
| 45      | 501597  | Screw, Set M8x20 Hex             | 3   | 85a     | *567292 | Bolt-Hex M6 x 55 HT 8.8            | 1   |
| 46      | 501602  | Nut, M8 Hex                      | 3   | 86      | *501764 | Nut, M6 Hex Nyloc                  | 1   |
| 47      | 006028  | Washer, Flt 12x22x3.0            | 2   | 87      | *008943 | Carrier-Bevel Pinion               | 1   |
| 48      | 501703  | Washer, Flt 6x14x1.2             | 3   | 88      | *004837 | Spindle-Rear Roller 660            | 1   |
| 49      | 500201  | Washer, Spg 6                    | 3   | 89      | *002708 | Pinion-Bevel, 14T                  | 2   |
| 50      | 503223  | Screw, Set M6x16 HT8.8           | 3   | 90      | *008944 | Collar                             | 2   |
| 51      | 031831  | Lever- Clutch                    | 1   | 91      | *007473 | Split Pin, 3.0dia x 30             | 2   |
| 52      | 031845  | Spring- Clutch                   | 1   | 92      | 031955  | <b>Roller-Rear,Half Assy RH</b>    | 1   |
| 53      | 031830  | Lever Carrier- Clutch            | 1   | 93      | *503399 | Rivet-Pop, 4.8 x 13 73 SS 6-8      | 3   |
| 53a     | 501764  | Nut-M6 Nyloc                     | 1   | 94      | *002707 | Gear-Bevel, 24t                    | 1   |
| 53b     | 503591  | Screw-Pan M6 x 12                | 1   | 95      | *031919 | <b>Roller-Rear,Half Assy LH</b>    | 1   |
| 54      | 031843  | Washer. FLT 16.5x75x3.0          | 1   |         |         |                                    |     |