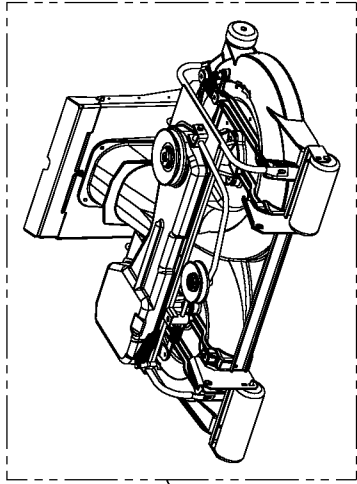
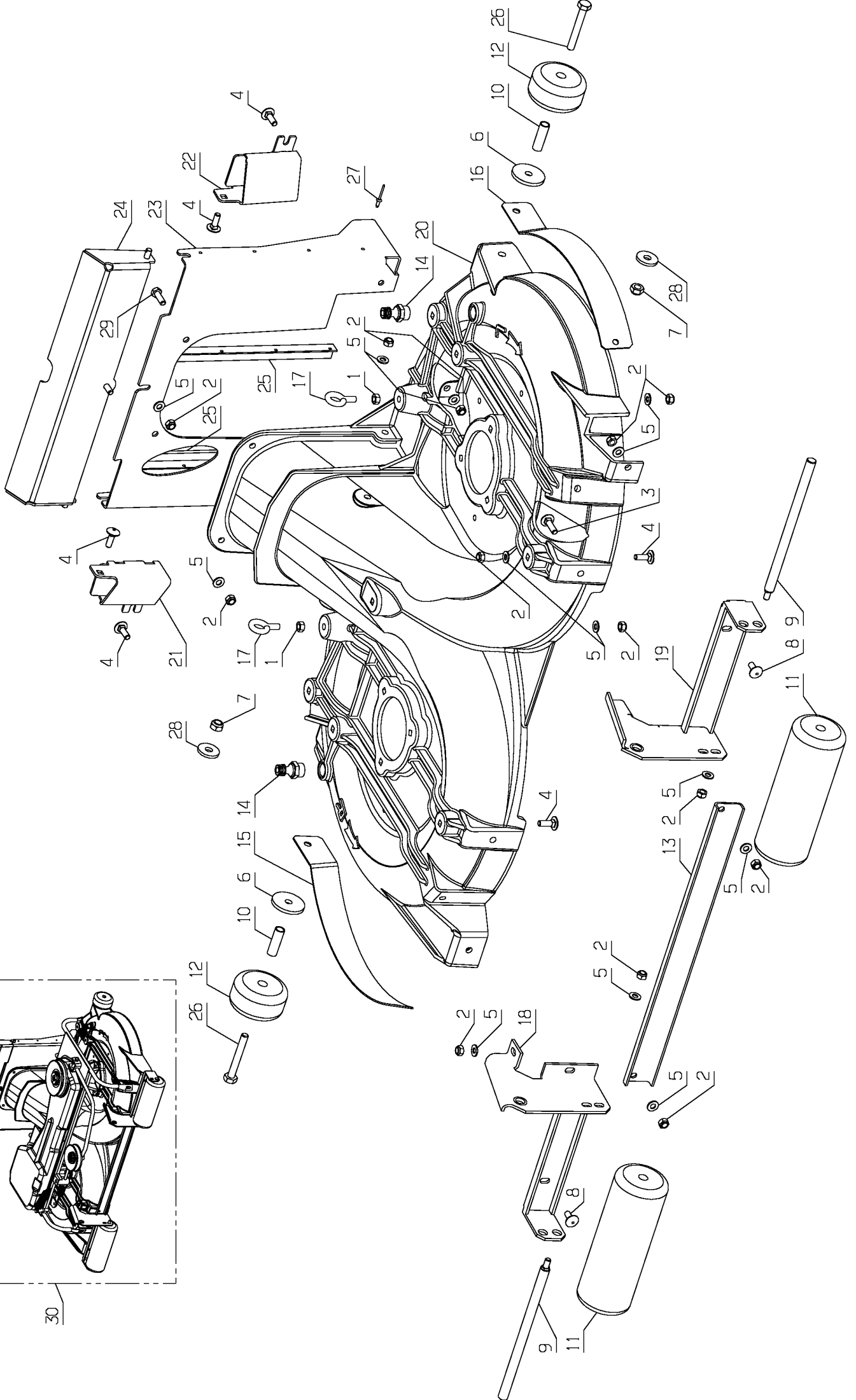


**BLSP**

**BLHP**

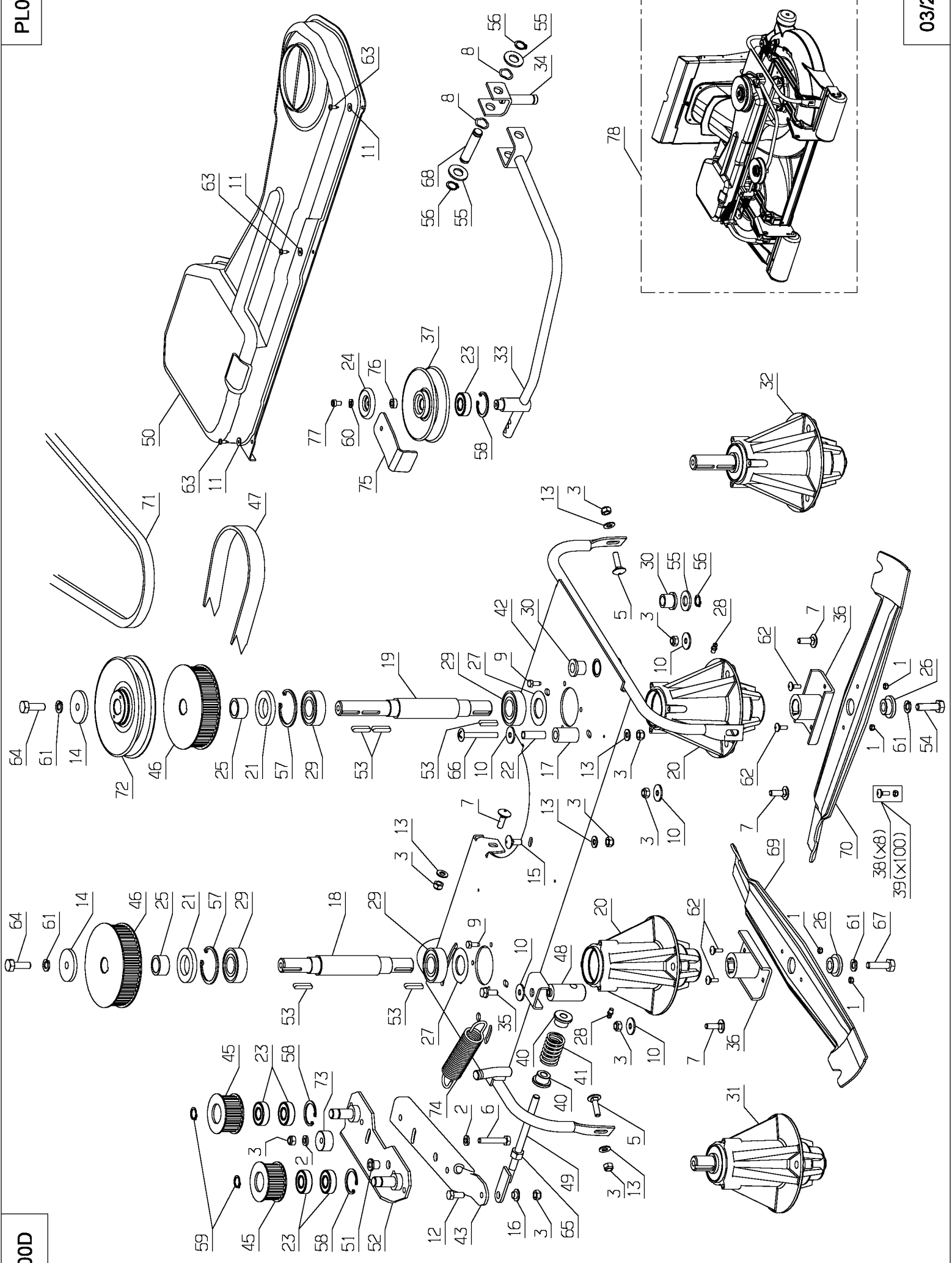


30



## P00100

| Rep | Réf<br>ETESIA | F                   | D                   | E                   |
|-----|---------------|---------------------|---------------------|---------------------|
| 1   | 2020          | ECROU H.M8 DIN934   | MUTTER HM8 DIN 934- | NUT HM8             |
| 2   | 2021          | ECR.AUTOFR.HM8 DIN  | STOPMUTTER HM 8 DIN | NUT HM8             |
| 3   | 5041          | VIS J M 8X30 DIN603 | SCHRAUBE M8X30      | BOLT 8X30           |
| 4   | 5347          | VIS J M 8X25 DIN603 | SCHRAUBE M8X25      | SCREW 8X25          |
| 5   | 7335          | RDLE PL.A 8,4DIN12  | SCHEIBE A 8,4       | WASHER              |
| 6   | 7341          | RDLE PL.10,3X49X5   | SCHEIBE 10,3X49X5   | FLAT WASHER 10,3X49 |
| 7   | 9017          | ECR.AUTOFR.HM10 DIN | MUTTER HM10 DI      | NUT HM10            |
| 8   | 9071          | VIS J M 8X20 DIN603 | SCHRAUBE M8X20      | SCREW M8X20         |
| 9   | 25006         | AXE ROULEAU         | ACHSE               | ROLLER SHAFT        |
| 10  | 25014         | ENTRETOISE ROULETTE | ABSTANDHUELSE       | REAR WHEEL SPACERS  |
| 11  | 25015         | ROULEAU PLEIN AVANT | VORDERE ROLLE       | FRONT ROLLER        |
| 12  | 25017         | ROULETTE PLEINE AR  | HINTERE ROLLE       | REAR ROLLER         |
| 13  | 25018         | TRAVERSE FRONTALE   | STABILISATOR        | FRONT CROSS BAR     |
| 14  | 25019         | COUPLEUR 1/2"       | SCHLAUCH KOPPER1/2" | HOSE COUPLING 1/2"  |
| 15  | 25023         | PROTEGE CARCASSE D. | SCHUTZBLECH RECHTS  | RH DECK PROTECTION  |
| 16  | 25024         | PROTEGE CARCASSE G. | SCHUTZBLECH LINKS   | LH DECK PROTECTION  |
| 17  | 25432         | ANNEAU DE LEVAGE    | AUFHÄNGUNG          | LIFTING RING        |
| 18  | 26100         | SUPPORT AV. DROIT   | VORDERE AUFHÄNGUNG  | RH FRONT SUPPORT AS |
| 19  | 26101         | SUPPORT AV. GAUCHE  | VORDERE AUFHÄNGUNG  | LH FRONT SUPPORT AS |
| 20  | 31000         | CARCASSE            | HAUBE               | CUTTING DECK        |
| 21  | 31170         | INSERT CARC.DROIT   | MÄHWERK EINSATZ R.  | RIGHT DECK INSERT   |
| 22  | 31173         | INSERT CARC.GAUCHE  | MÄHWERK EINSATZ L.  | LEFT DECK INSERT    |
| 23  | 31525         | TOLE SORTIE CARCASS | MÄHDECK AUSG.BLECH  | CUTTING DECK PLATE  |
| 24  | 31536         | BEC SORTIE CARCASSE | MÄHWERK AUSGANGNASE | CUTTING DECK NOZZLE |
| 25  | 35085         | BROSSE LATERALE     | SEITLICHEBÜRSTE     | SIDE BRUSH          |
| 26  | 71032         | VIS H M 10X75       | SECHSKANTSCHRAUBE H | KAWA SCREW H M10X75 |
| 27  | 71119         | RIVET CLOUS DIAM.4X | NIETE 4X6 (ALU)     | NAIL RIVET DIA. 4X8 |
| 28  | 9009          | RDLE PL.11X32X4     | SCHEIBE.11X32X4     | WASHER              |
| 29  | 9056          | VIS H M 8X25 DIN933 | SCHRAUBE 8X25       | BOLT 8X25           |
| 30  | 34072         | CARCASSE COMPLETE   | MÄHWERK KOMPLETT    | CUTTING DECK CPLT   |

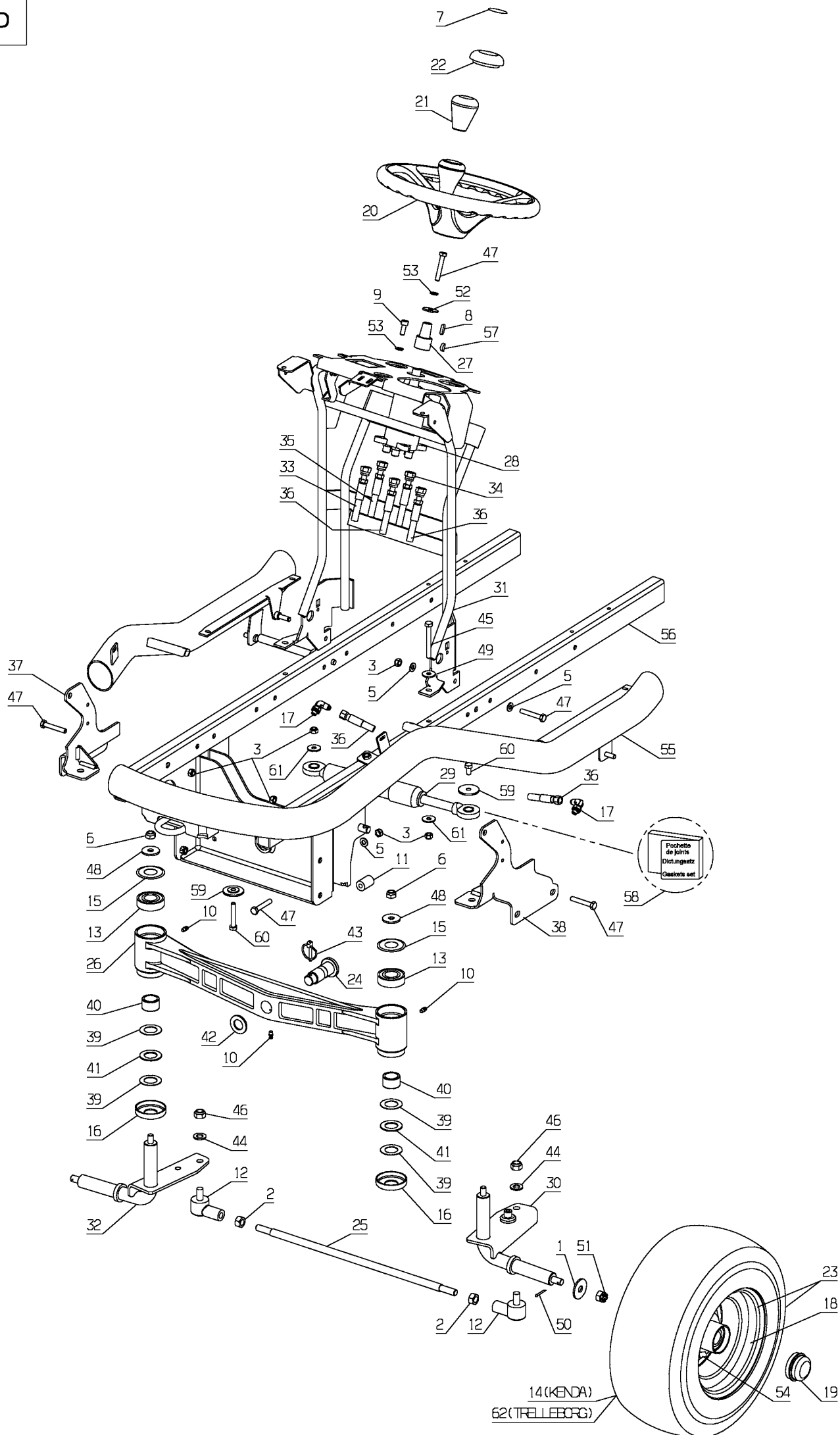


## P00101

| Rep | Réf<br>ETESIA | F                   | D                   | E                   |
|-----|---------------|---------------------|---------------------|---------------------|
| 1   | 1607          | ECR.AUTOFR.HM5 DIN  | STOPMUTTER HM5      | NUT                 |
| 2   | 2017          | RDLE EVENT.A8,2 679 | FAECHERSCHEIBE A8,2 | SERRATED LOCK WASHE |
| 3   | 2021          | ECR.AUTOFR.HM8 DIN  | STOPMUTTER HM 8 DIN | NUT HM8             |
| 4   | 5020          | VIS CHC M6X10 7984  | CHC M6X10 SCREW     | CHC M6X10 SCREW     |
| 5   | 5041          | VIS J M 8X30 DIN603 | SCHRAUBE M8X30      | BOLT 8X30           |
| 6   | 5340          | VIS H M 8X45 DIN933 | HEXAGON SCREW DIN 9 | HEXAGON SCREW,DIN 9 |
| 7   | 5347          | VIS J M 8X25 DIN603 | SCHRAUBE M8X25      | SCREW 8X25          |
| 8   | 5411          | RONDELLE            | SCHEIBE             | WASHER              |
| 9   | 5498          | VIS TAPT.M6X16 TH   | GEWINDESCHNEIDSCHRA | TAPTITE BOLT M6X16  |
| 10  | 7035          | RDLE PL.B 8,4DIN90  | BEILAGSCHEIBE B8,4  | FLAT WASHER         |
| 11  | 7094          | RDLE PL.B 4,3DIN90  | BEILAGSCHEIBE B 4,3 | FLAT WASHER         |
| 12  | 7334          | VIS H M 8X20 DIN933 | SECHSKANTSCHRAUBE H | HEXAGON SCREW,DIN 9 |
| 13  | 7335          | RDLE PL.A 8,4DIN12  | SCHEIBE A 8,4       | WASHER              |
| 14  | 7341          | RDLE PL.10,3X49X5   | SCHEIBE 10,3X49X5   | FLAT WASHER 10,3X49 |
| 15  | 9071          | VIS J M 8X20 DIN603 | SCHRAUBE M8X20      | SCREW M8X20         |
| 16  | 24052         | BAGUE ARTICULATION  | GELENKBÜCHSE NG51   | KNUCKLE RING        |
| 17  | 25102         | ROULEAU BUTEE       | LAUFROLLE           | NYLON ROLLER        |
| 18  | 25103         | ARBRE LAME DROITE   | MESSERWELLE RECHTS  | RH BLADE SHAFT      |
| 19  | 25104         | ARBRE LAME GAUCHE   | MESSERWELLE LINKS   | LH BLADE SHAFT      |
| 20  | 25105         | PALIER DE LAMES     | WELLENLAGER 2 GEN.  | BLADE BEARING       |
| 21  | 25106         | JOINT ETANC.30X52X7 | DICHTUNG            | SEAL 30X52X7        |
| 22  | 25107         | ENTRETOISE ROULEAU  | ROLLE HÜLSE         | ROLLSLEEVE          |
| 23  | 25112         | RLT A BILLES 6202   | KUGELLAGER 6202     | BALL BEARING,6202 S |
| 24  | 25117         | CAPUCHON BRAS TEND. | SCHUTZDECKEL        | PLUG T. ARM         |
| 25  | 25129         | ENTRETOISE TRANSMIS | DISTANZHUELSE       | TRANSMISSION SPACER |
| 26  | 25132         | RONDELLE DE LAME    | MESSERSCHEIBE       | BLADE WASHER        |
| 27  | 25143         | ANNEAU NILOS        | "NILOS" RING        | "NILOS" RING        |
| 28  | 25301         | GRAISSEUR "HYDRAULI | SCHMIERNIPPEL       | RH STD "HYDRAULIC"  |
| 29  | 25475         | RLT A BILLES 6205 2 | KUGELLAGER 6205     | SEALED BALL BEARING |
| 30  | 25512         | BAGUE AUTOLUBR.     | LAGERBUCHSE C14 /20 | SELF-LUBRIC.RING C1 |
| 31  | 26106         | PALIER LAME D. CPLT | R.WELLENLAGER KPLT  | R. BEARING CPLT     |
| 32  | 26107         | PALIER LAME G. CPLT | L.WELLENLAGER KPLT  | L. BEARING CPLT     |
| 33  | 26152         | BRAS TENDEUR SOUDE  | SPANNER ARM GESCHW. | TENSIONING ARM WELD |
| 34  | 26153         | CHAPE TENDEUR       | SPANNERGABEL        | BELT TIGHTENER YOKE |
| 35  | 71413         |                     |                     |                     |
| 36  | 26155         | ACCOUPEMENT LAME    | MESSERFLANSCH       | BLADE CLUTCH        |
| 37  | 26156         | POULIE TENDEUR CPLT | SPANNSCHEIBE        | BELT TIGHTENER PULL |
| 38  | 26157         | JEU BOUL. CIS.8PCES | ABSCHERSCHRAUBE 8ST | SET OF 8 SHEARBOLTS |
| 39  | 26357         | 100 BOULONS CISAIL. | 100 ABSCHERSCHRAUBE | 100 SHEAR BOLTS     |
| 40  | 31024         | ENTRETOISE REGLAGE  | EINSTELLUNG HÜLSE   | ADJUST SPACER       |
| 41  | 31025         | RESSORT TENDEUR     | SPANNFEDER          | TENSIONNER SPRING   |
| 42  | 31028         | PLAQ.TRANSMISSION   | ANTRIEBSHALT.PLATE  | TRANSMISSION PLATE  |
| 43  | 31064         | RENFORT TENDEUR     | SPANNVERSTÄRCKUNG   | TENSION.REINFORCING |
| 45  | 31201         | POULIE STS 22 DTS   | ZAHNRIEMENSCHIEB.22 | PULLEY STS 22       |
| 46  | 31202         | POULIE STS 48 DTS   | ZAHNRIEMENSCHIEB.48 | PULLEY STS 48       |
| 47  | 31203         | COURROIE CRANTE STS | ZAHRIEMEN STS       | TOOTHED BELT STS    |
| 48  | 31205         | PIVOT TENDEUR       | SPANNER KLOTZ       | TENSIONNER BLOCK    |
| 49  | 31215         | TIGE TENDEUR        | SPANNERSTANGE       | TENSIONNER ROD      |

|    |        |                     |                     |                     |
|----|--------|---------------------|---------------------|---------------------|
| 50 | 35127  | CAPOT TRANSM.LAME   | RIEMEN VERKLEIDUNG  | BELT COVER          |
| 51 | 35176  | ENTRETOISE          | BÜCHSE              | SPACER              |
| 52 | 35177  | PLAQUE TENDEUR      | SPANNER PLATTE      | TENSIONNER PLATE    |
| 53 | 71006  | CLAVETTE 6X6X30 A   | NUTKEIL 6X6X30 DIN  | A-SHAPE KEY,DIN 688 |
| 54 | 71242  | VIS HM 10-35 DROITE | SECHSKANTSCHRAUBE   | HEX.SCREW HM10X35   |
| 55 | 71034  | RDLE PL. M14 U      | SCHEIBE M14 U NFE 2 | FLAT WASHER NFE 276 |
| 56 | 71036  | CIRCL.EXT.14X1      | SEEGERING 14X1 DIN  | DIN 471 14X1 EXT. C |
| 57 | 71037  | CIRCL.INT.52X2      | SEEGERING 52X2      | CIRCLIP, DIN 472 52 |
| 58 | 71039  | CIRCL.INT.35X1,5    | SEEGERING 35X1,5    | CIRCLIP,DIN 427 35X |
| 59 | 71047  | CIRCL.EXT. 15X1     | SEEGERING 15X1      | CIRCLIP DIN 471 15X |
| 60 | 71049  | RDLE GROWER A6      | FEDERRING A6 DIN 12 | SPRING WASHER,DIN 1 |
| 61 | 71052  | RDLE FREIN A10      | FEDERRING A10 DIN 1 | SPRING WASHER,DIN 1 |
| 62 | 71100  | VIS JM 5X16 DIN603  | SCHRAUBE JM 5X16    | SCREW JM 5X16       |
| 63 | 71109  | VIS TOLE B4,2X13    | BLECHSCHRAUBE B4 2X | TAPPING SCREW,DIN 7 |
| 64 | 71110  | VIS HM 10X30        | SECHSKANTSCHRAUBE H | HEXAGON SCREW,DIN 9 |
| 65 | 71158  | ECROU HH M10,8      | SECHSKANTSCHR. M10  | HEXAGONAL NUT HM10  |
| 66 | 71170  | VIS POELIER M8X60   | SCHRAUBE M8X60      | BELT M8 X 60        |
| 67 | 71031  | VIS HM10X35 GAUCHE  | SECHSKANTSCHRAUBE M | LH HEXAG.SCREW,DIN  |
| 68 | 25126  | AXE BRAS TENDEUR    | SPANNARM BOLZEN     | BELT TIGHTENER ARM  |
| 69 | MZ102D | LAME DROITE         | MESSER RECHTS       | RIGHT BLADE         |
| 70 | MZ102G | LAME GAUCHE         | MESSER LINKS        | LEFT BLADE          |
| 71 | 31200  | COURROIE            | RIEMEN              | BELT                |
| 72 | 25108  | POULIE TRAPEZOIDALE | RIEMENSCHIEBE       | V-BELT PULLEY       |
| 73 | 25131  | RDLE TENDEUR        | ANSCHLAGSCHEIBE     | BELT TIGHTENER WASH |
| 74 | 25124  | RESSORT DE TENSION  | SPANNARMZUGFEDER    | TENSION SPRING      |
| 75 | 35561  |                     |                     |                     |
| 76 | 35572  |                     |                     |                     |
| 77 | 20507  | VIS HM 6 X 20       | SECHSKANT.HM 6X20   | BOLT HM 6X20        |
| 78 | 34072  | CARCASSE COMPLETE   | MÄHWERK KOMPLETT    | CUTTING DECK CPLT   |





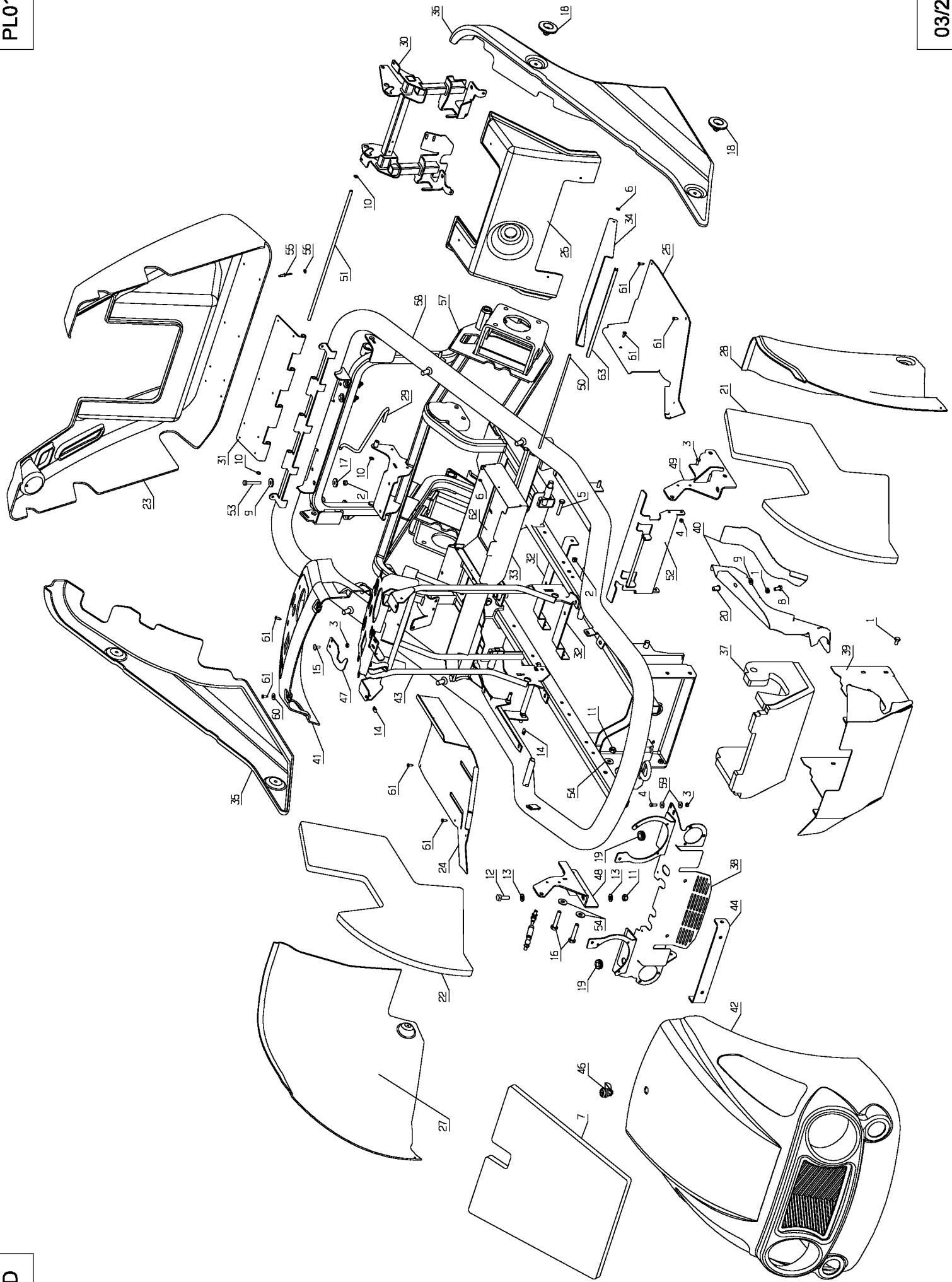


# PL01083

| Rep | Réf<br>ETESIA | F                   | D                   | E                      |
|-----|---------------|---------------------|---------------------|------------------------|
| 1   | 1517          | RONDELLE 13X40X3    | SCHEIBE 13X40X3     | WASHER 13X40X3         |
| 2   | 1541          | ECROU H.M12 DIN934  | MUTTER HM12 DIN 934 | HEXAGON NUT,DIN 934    |
| 3   | 2021          | ECR.AUTOFR.HM8 DIN  | STOPMUTTER HM 8 DIN | NUT HM8                |
| 4   | 6169          | VIS HM 8X16 DIN 93  | SECHSKANTSCH.HM8X16 | SCREW HM8X16           |
| 5   | 7335          | RDLE PL.A 8,4DIN12  | SCHEIBE A 8,4       | WASHER                 |
| 6   | 9017          | ECR.AUTOFR.HM10 DIN | MUTTER HM10 DI      | NUT HM10               |
| 7   | 13244         | ETIQ.LOGO ETESIA    | AUFKLEB.LOGO ETESIA | STICKER LOGO ETESIA    |
| 8   | 20606         | CLAVETTE 5X5X20     | KEIL 5X5X20         | KEY 5X5X20             |
| 9   | 22011         | VIS CHC M 8X20      | SCHRAUBE M 8X20     | BOLT M 8X20            |
| 10  | 25301         | GRAISSEUR "HYDRAULI | SCHMIERNIPPEL       | RH STD "HYDRAULIC"     |
| 11  | 25304         | ENTRETOISE          | DISTANZHUELSE       | SPACER                 |
| 12  | 25345         | ROTULE DIRECT.M12   | KUGELGELENK         | BALL JOIN M12          |
| 13  | 25475         | RLT A BILLES 6205 2 | KUGELLAGER 6205     | SEALED BALL BEARING    |
| 14  | 28351         | PNEU AR. SO/NAT     | HINT.REIFEN SO/NAT  | REAR TYRE SO/NAT       |
| 15  | 28530         | RDLE DE PROTECTION  | SCHUTZSCHEIBE       | PROTECTION WASHER      |
| 16  | 29158         | CAPUCHON INFERIEUR  | UNTERE KAPPE        | LOWER CAP              |
| 17  | 29468         | ADAPTATEUR CJM      | ADAPTER CJM         | ADAPTER CJM            |
| 18  | 29508         | JANTE AVANT 5,50X8  | VORDERRADFELGE      | FRONT RIM 5.50X8       |
| 19  | 29509         | CAPUCHON PROTECTION | SCHUTZKAPPE         | PROTECTION CAP         |
| 20  | 29900         | VOLANT DE DIRECTION | LENKER              | STEERING WHEEL         |
| 21  | 29923         | POMMEAU VOLANT      | HOBELKNOPF          | STEERING WHEEL GAIT    |
| 22  | 29978         | CAPUCHON VOLANT     | LENKRAD STOPFEN     | STEERING WHEEL CAP     |
| 23  | 31003         | ROUE AVANT COMPLETE | VORDERRAD KPLT      | FRONT WHEEL CPL        |
| 24  | 31104         | AXE ESSIEU          | BOLZEN VORDERACHSE  | AXLE SHAFT             |
| 25  | 31109         | BIELLE INTERFUSEE   | SPURTSTANGE         | STUB AXLE ROD          |
| 26  | 31115         | ESSIEU              | VORDERACHSE         | FRONT AXLE             |
| 27  | 31232         | EMBASE VOLANT       | LENKRAD SITZFLÄCHE  | STEERING WHEEL SEAT    |
| 28  | 31233         | ORBITROL            | ORBITROL            | ORBITROL               |
| 29  | 31234         | VERIN DE DIRECTION  | LENKUNGS ZYLINDER   | STEERING CYLINDER      |
| 30  | 31581         | FUSEE GAUCHE        | SPURGELENK LINKS    | LEFT STUB AXLE         |
| 31  | 31582         | SUPPORT DIRECTION   | LENKUNGSHALTERUNG   | STEERING BRACKET       |
| 32  | 31599         | FUSEE DROITE        | SPURGELENK RECHTS   | RIGHT STUB AXLE        |
| 33  | 31690         | FLEX.ORBITR.P POMPE | SCHLAUCH            | HOSE                   |
| 34  | 31691         | FLEX.ORBITR.E DIST. | SCHLAUCH            | HOSE                   |
| 35  | 31692         | FLEX.ORBITR.T FILTR | SCHLAUCH            | HOSE                   |
| 36  | 31693         | FLEX.ORBITR.RL VERI | SCHLAUCH            | HOSE                   |
| 37  | 35065         | TOLE LIAISON AV.D.  | HALTERUNG           | BRACKET                |
| 38  | 35066         | TOLE LIAISON AV.G.  | HALTERUNG           | BRACKET                |
| 39  | 35108         | RDLE CALIBRE AS1105 | SCHEIBE AS1105      | WHEEL ENGINE FIX.RIGHT |
| 40  | 35109         | RLT AIGUILL.HMK2520 | NADELLAGER HMK2520  | WHEEL ENGINE FIX.RIGHT |
| 41  | 35110         | BUTE.AIGUIL.AXK1105 | LAGER ANSCHLAG      | BEARING STOP           |
| 42  | 71002         | RDLE PL. A 21       | BEILAGSCHEIBE A 21  | FLAT WASHER,DIN 125    |
| 43  | 71005         | GOUP. A CLIPS 5X32  | FEDERSTECKER        | SAFETY PIN,DIN 1102    |
| 44  | 71035         | RDLE PL. M12 U      | BEILAGSCHEIBE M12 U | FLAT WASHER NFE 276    |
| 45  | 71068         | VIS H M 8X70        | SECHSKANTSCHRAUBE H | HEXAGON SCREW,DIN 9    |
| 46  | 71157         | ECROU AUTOFR.HM12   | MUTTER              | NUT AUTOFR.HM12        |
| 47  | 71223         | VIS H M8X50 DIN933  | SCHRAUBE M8X50      | SCREW M8X50            |
| 48  | 71257         | RDLE PL. R11        | BEILAGSCHEIBE R11   | WASHER R11             |

|    |       |                     |                     |                     |
|----|-------|---------------------|---------------------|---------------------|
| 49 | 71274 | RDLE PLATE B8.4     | SCHEIBE B8.4        | WASHER B8.4         |
| 50 | 71294 | GOUP.FENDUE 3,2X22  | SPLINTE 3,2 X 22    | SPLIT PIN 3,2 X 22  |
| 51 | 71295 | ECROU HK M12X1,25   | MUTTER HK M12X1,25  | NUT HK M12X1,25     |
| 52 | 35738 |                     |                     |                     |
| 53 | 71343 | RDLE GROWER A8      | FEDERSCHEIBE A8     | SPRING WASHER A8    |
| 54 | 28353 | CHAMBRE A AIR ARR.  | LUFTSCHLAUCH HINTEN | INNER TUBE REAR     |
| 55 | 31069 | CHASSIS EXTERIEUR   | AUSSERER RAHMEN     | OUTSIDE FRAME       |
| 56 | 31056 | CHASSIS INT.SOUDE   | INNERER RAHMEN      | INNER FRAME         |
| 57 | 35159 | CLAVETTE 5X6.5      | KEIL 5X6.5          | KEY 5X6.5           |
| 58 | 31195 |                     |                     |                     |
| 59 | 30263 | RONDELLE EPAULEE    | SCHEIBE             | WASHER              |
| 60 | 5340  | VIS H M 8X45 DIN933 | HEXAGON SCREW DIN 9 | HEXAGON SCREW,DIN 9 |
| 61 | 7035  | RDLE PL.B 8,4DIN90  | BEILAGSCHEIBE B8,4  | FLAT WASHER         |
| 62 | 28445 | PNEU ARRIERE TREL   | HINT.REIFEN TREL    | REAR TYRE TREL      |



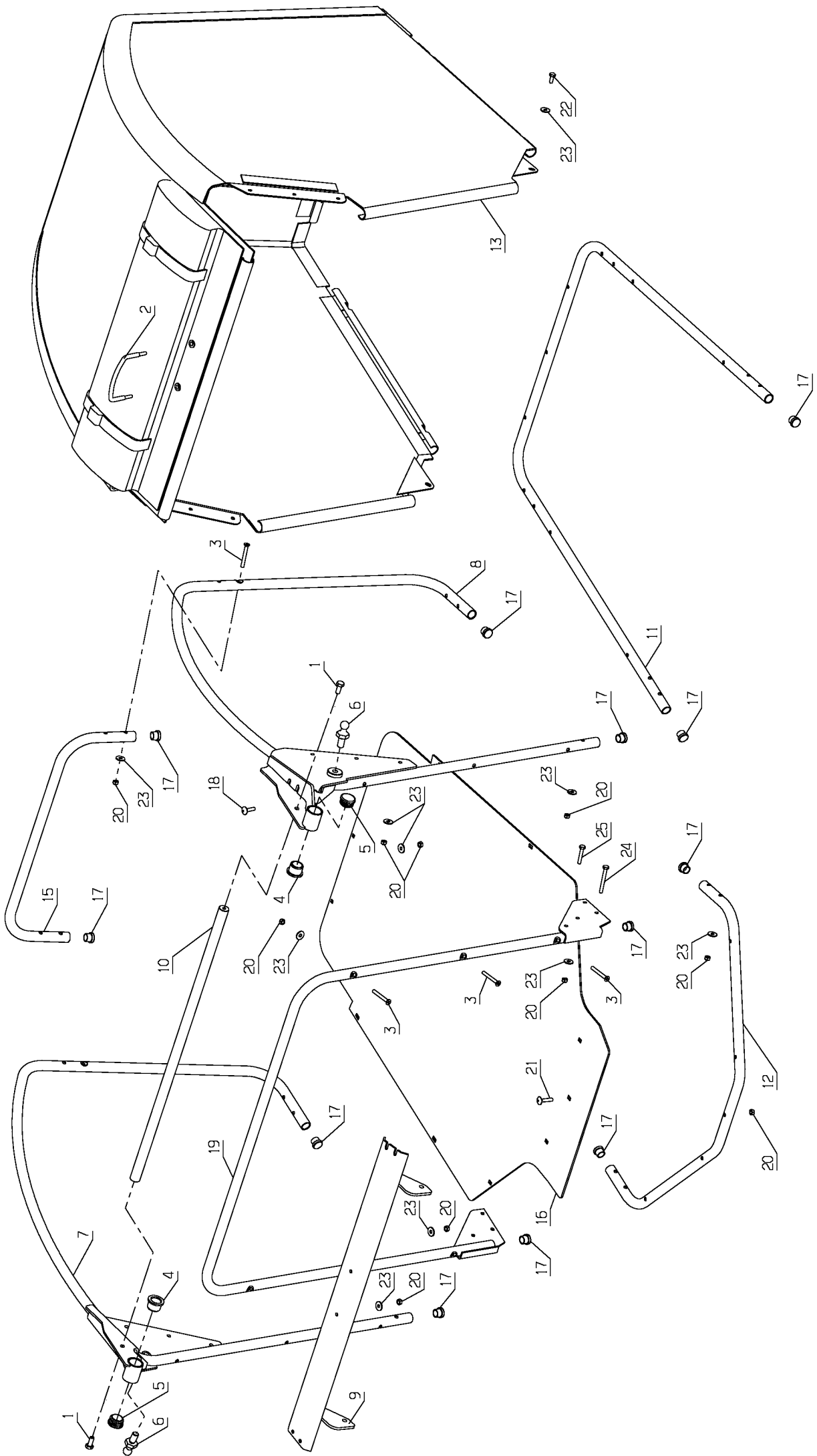


# PLO1108

| Rep | Réf<br>ETESIA | F                   | D                   | E                   |
|-----|---------------|---------------------|---------------------|---------------------|
| 1   | 71413         |                     |                     |                     |
| 2   | 2021          | ECR.AUTOFR.HM8 DIN  | STOPMUTTER HM 8 DIN | NUT HM8             |
| 3   | 5232          | ECR.AUTOFR.HM6 DIN  | STOPMUTTER HM 6 DIN | SELF-LOCKING NUT    |
| 4   | 5334          | VIS H M 6X16 DIN933 | SCHRAUBE HM6X16     | SCREW HM6X16        |
| 5   | 5340          | VIS H M 8X45 DIN933 | HEXAGON SCREW DIN 9 | HEXAGON SCREW,DIN 9 |
| 6   | 6042          | GRIFFAXE 6M/M       | GRIFFAXE 6M/M       | WASHER              |
| 7   | 32022         | ISOLATION PHON.AV.  | VORDERE SCHALLDÄMM  | FRONT SOUND INSULA  |
| 8   | 7334          | VIS H M 8X20 DIN933 | SECHSKANTSCHRAUBE H | HEXAGON SCREW,DIN 9 |
| 9   | 7035          | RDLE PL.B 8,4DIN90  | BEILAGSCHEIBE B8,4  | FLAT WASHER         |
| 10  | 7377          | GRIFFAXE RENF. 8    | BOLZENCLIP          | TRUARC COLLAR DIN 7 |
| 11  | 9017          | ECR.AUTOFR.HM10 DIN | MUTTER HM10 DI      | NUT HM10            |
| 12  | 21035         | VIS HM10-30,8,8     | SECHSK.SCHR.M10X30  | HEX.SCREW M10X30    |
| 13  | 21036         | RDLE PL.A 10,5 DIN1 | BEILAGSCHEIBE 10.5  | FLAT WASHER 10.5    |
| 14  | 21436         | ECROU NUL 530       | CLIPSMUTTER         | CLIPS NUT           |
| 15  | 21608         | VIS JAPY M6X16      | SCHRAUBE M6X16      | SCREW 6X16 DIN      |
| 16  | 22009         | VIS HM10-55,8,8     | SECHSK.SCHR.M10X55  | HEX.SCREW M10X55    |
| 17  | 22065         | RDLE 25X8,5X3       | SCHEIBE 25X8,5X3    | WASHER 25X8,5X3     |
| 18  | 24610         | BOUTON (PETIT)      | HANDRAD             | BUTTON (SMALL)      |
| 19  | 28292         | PASSE FIL DIA.14    | GUMMI-ÖSE DIA.14    | RUBBER FUNEL DIA.14 |
| 20  | 30719         | INSERT M8           | M8 EINSATZ          | M8 INSERT           |
| 21  | 31018         | ISOLAT.PHONIQUE G.  | LINKE ISOLATION     | ISOLATION LEFT      |
| 22  | 31019         | ISOLAT.PHONIQUE D.  | ISOLATION RECHTS    | ISOLATION RIGHT     |
| 23  | 31061         | CAPOT CENTRAL       | MITLERE HAUBE       | CENTRAL COVER       |
| 24  | 31062         | MARCHE PIED DROIT   | RECHTES TRITTBRETT  | RIGHT STEP          |
| 25  | 31063         | MARCHE PIED GAUCHE  | LINKES TRITTBRETT   | LEFT STEP           |
| 26  | 31082         | CAPOT CENTRAL FIXE  | FESTE MITLERE HAUBE | FIXED CENTRAL COVER |
| 27  | 31083         | CAPOT LAT.MOTEUR D. | R.SEIT.MOTOR HAUBE  | R.SIDE ENGINE COVER |
| 28  | 31084         | CAPOT LAT.MOTEUR G. | L.SEIT.MOTOR HAUBE  | L.SIDE ENGINE COVER |
| 29  | 31085         | TRINGLE CAPOT CENT. | MITL.HAUBE GESTÄNGE | CENTRAL COVER ROD   |
| 30  | 31088         | SUPPORT SIEGE       | SITZ HALTERUNG      | SEAT BRACKET        |
| 31  | 31176         |                     |                     |                     |
| 32  | 31180         |                     |                     |                     |
| 33  | 31181         |                     |                     |                     |
| 34  | 31182         |                     |                     |                     |
| 35  | 31250         | CAPOT LATERAL DROIT | SEITLI.VERKLEIDG R. | RIGHT SIDE COVER    |
| 36  | 31251         | CAPOT LATERAL GAUCH | SEITLI.VERKLEIDG.L. | LEFT SIDE COVER     |
| 37  | 31268         | MOUSSE ISOLANT POT  | AUSPUFF ISOLIERUNG  | MUFFLER INSULATION  |
| 38  | 31322         | SUPPORT FEUX AVANT  | VORD.LAMPEN HALTERG | FRONT LIGHT BRACKET |
| 39  | 31326         | CACHE DIRECTION     | LENKUNGS VERKLEIDG  | STEERING COVER      |
| 40  | 31327         | CACHE POT           | AUSPUFF VERKLEIDUNG | MUFFLER COVER       |
| 41  | 31437         | PLANCHE DE BORD     | SCHALTAFFEL         | DASH BOARD          |
| 42  | 31460         | CAPOT MOTEUR        | MOTOR HAUBE         | ENGINE COVER        |
| 43  | 31582         | SUPPORT DIRECTION   | LENKUNGSHALTERUNG   | STEERING BRACKET    |
| 44  | 32000         | ARTICUL.CAPOT MOT.  | MOTORHAUBE GELENK   | ENGINE COVER HINGE  |
| 45  | 32015         | VERIN GAZ CAPOT MOT | ABDECKUNGSZYLINDER  | COVER JACK          |
| 46  | 32126         | VERROU CAPOT MOTEUR | MOTORHAUBE VERIEGE  | ENGINE COVER LOCK   |
| 47  | 32136         | BUTEE VERROU        | VERIEGELUNG ANSCHLA | LOCK STOP           |
| 48  | 35065         | TOLE LIAISON AV.D.  | HALTERUNG           | BRACKET             |

|    |       |                     |                      |                     |
|----|-------|---------------------|----------------------|---------------------|
| 49 | 35066 | TOLE LIAISON AV.G.  | HALTERUNG            | BRACKET             |
| 50 | 35134 | AXE BOITE A OUTILS  | GESCHIRRRKISTE WELLE | TOOL BOX AXLE       |
| 51 | 35162 | AXE CHARNIERE CAPOT | ACHSE                | AXLE                |
| 52 | 35226 | FIX.AVANT CONDUIT   | BEFESTIGUNG          | BRACKET             |
| 53 | 71223 | VIS H M8X50 DIN933  | SCHRAUBE M8X50       | SCREW M8X50         |
| 54 | 71238 | RDLE PL. A 10,2     | BEILAGSCHEIBE A10,2  | WASHER A10,2        |
| 55 | 71327 | RIVET ALU 4,2X21,5  | NIETE 4,2X21,5       | NAIL RIVET 4,2X21,5 |
| 56 | 71328 | CAPUCHON RIVET      | NIETKAPPE            | NAIL RIVET CAP      |
| 57 | 31056 | CHASSIS INT.SOUDE   | INNERER RAHMEN       | INNER FRAME         |
| 58 | 31069 | CHASSIS EXTERIEUR   | AUSSERER RAHMEN      | OUTSIDE FRAME       |
| 59 | 21270 | RDLE PL.B 6,4       | SCHEIBE 6,4          | WASHER 6,4          |
| 60 | 71096 | RDLE PL.B 6,4       | BEILAGSCHEIBE B6,4   | WASHER B6,4         |
| 61 | 71111 | VIS TOLE B4,8X16    | BLECHSCHRAUBE B4 8X  | TAPPING SCREW,DIN 7 |
| 62 | 35498 |                     |                      |                     |
| 63 | 30163 | GAINE PROTECT.670MM | SCHUTZHÜLLE 670 MM   | PROT.SLEEVE 670MM   |

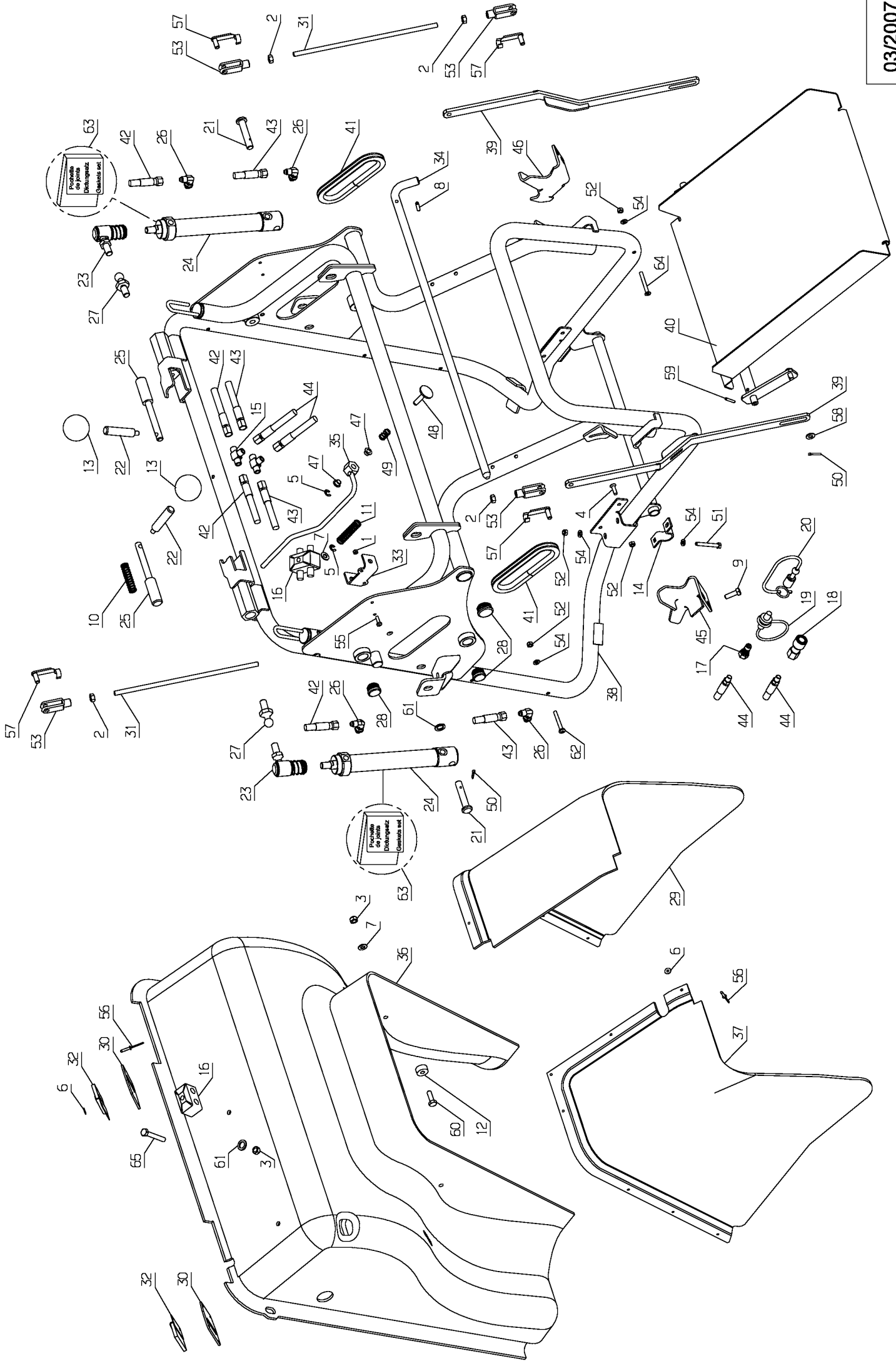






# PL01109

| Rep | Réf<br>ETESIA | F                   | D                   | E                   |
|-----|---------------|---------------------|---------------------|---------------------|
| 1   | 71413         |                     |                     |                     |
| 2   | 7369          | POIGNEE PORTEUSE    | GRIFF               | HANDLE              |
| 3   | 20571         | VIS TF M6 X 50      | SCHRAUBE 6X50       | SCREW M6 X 50       |
| 4   | 25416         | COUSSINET 26/20X20  | BUCHSE 26/20X20 PA6 | SLEEVE PA 66 26/20X |
| 5   | 29647         | BOUCHON DIAM.30     | STOPFEN DIA.30      | CAP DIA.30          |
| 6   | 29929         | EMBOUT MALE DIA.12  | EINSTECKMUFFE       | MALE NIPPLE DIA 12  |
| 7   | 31122         | CADRE LATERAL DROIT | KORB RAHMEN RECHTS  | BAG SIDE FRAME RIGH |
| 8   | 31123         | CADRE LATERAL GAUCH | KORB RAHMEN LINKS   | BAG SIDE FRAME LEFT |
| 9   | 31124         | SUPP.TRINGLE ARTI.  | HALTERUNG           | BRACKET             |
| 10  | 31288         | BARRE RENF.PANIER   | KORBVERSTÄRCKERUNG  | GRASBOX REINFORCING |
| 11  | 31511         | TUBE SUPP.BAC MOBIL | KORB ROHR           | GRASBOX TUBE        |
| 12  | 31513         | SUPPORT LANGUETTE   | HALTERUNG           | BRACKET             |
| 13  | 31516         | TOILE PANIER        | GRASFANGSACK        | GRASBAG             |
| 14  | 31551         | ARCEAU AVANT        | VORDERER BÜGEL      | FRONT BOW           |
| 15  | 31557         | TUBE ARR.BAC MOBILE | HINTERRAHMEN        | GRASBOX REAR TUBE   |
| 16  | 31559         | FOND DE PANIER      | KORBBODEN           | GRASBOX BOTTOM      |
| 17  | 32071         | BOUCHON TUBE 20X2   | ROHRSTOPFEN         | TUBE CAP            |
| 18  | 71060         | VIS TRCC 6X25       | SCHRAUBE TRCC M6X25 | BOLT TRCC 6X25      |
| 19  | 31551         | ARCEAU AVANT        | VORDERER BÜGEL      | FRONT BOW           |
| 20  | 71073         | ECROU AUTOFR.HM6    | STOPMUTTER HM6      | SELF LOCKING NUT    |
| 21  | 71080         | VIS TRCC 6X30       | SCHRAUBE M6X30      | SCREW 6X30          |
| 22  | 71084         | VIS HM 6X16 DIN933  | SCHRAUBE HM6X16     | BOLT HM6X16 DIN 933 |
| 23  | 71096         | RDLE PL.B 6,4       | BEILAGSCHEIBE B6,4  | WASHER B6,4         |
| 24  | 71302         | VIS H M6X55,8.8     | SCHRAUBE H M6X55    | SCREW H M6X55       |
| 25  | 71380         | VIS TH M6X35        | SCHRAUBE TH M6X35   | SCREW TH M6X35      |

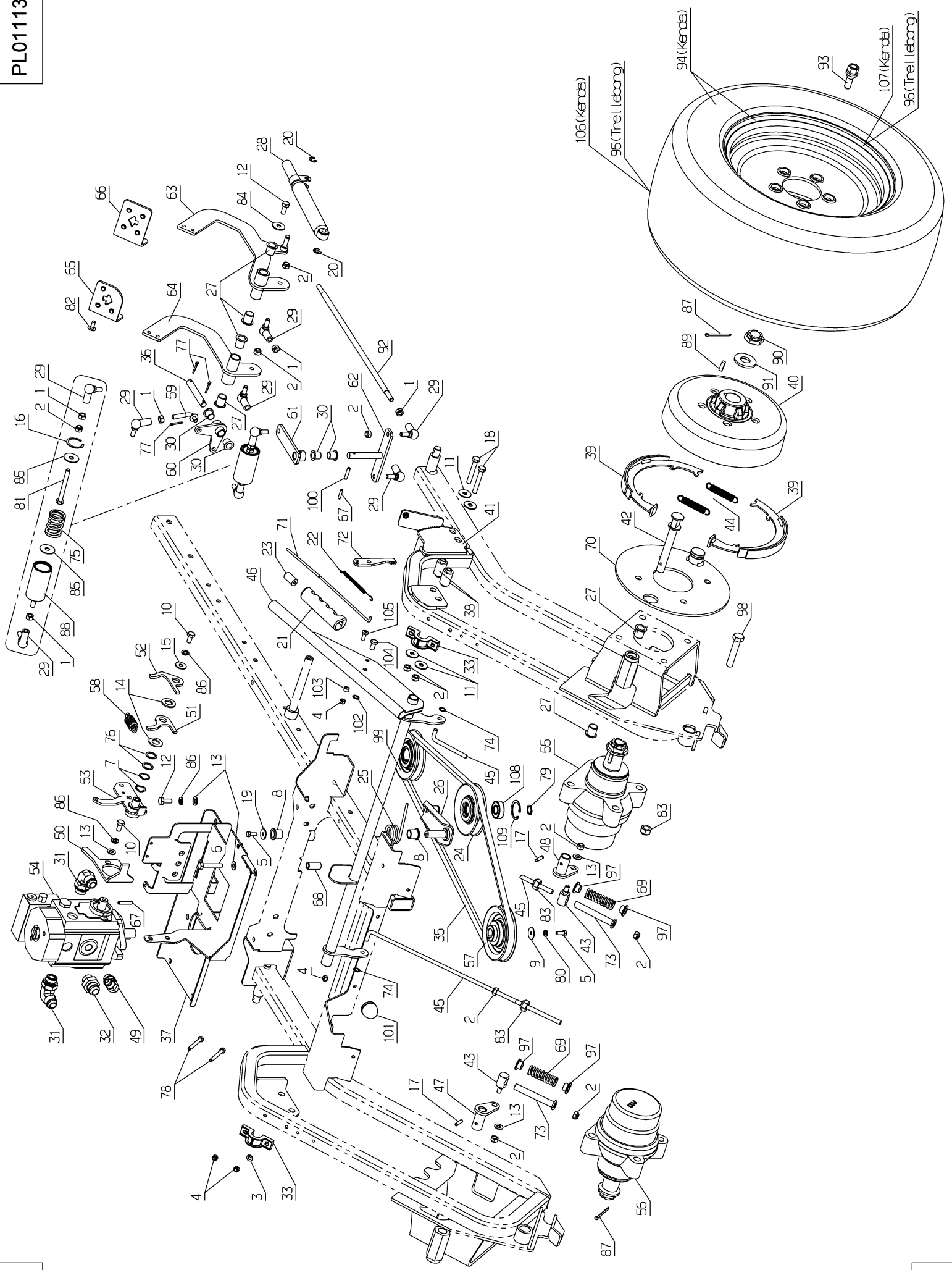


## PLO1111

| Rep | Réf<br>ETESIA | F                   | D                   | E                   |
|-----|---------------|---------------------|---------------------|---------------------|
| 1   | 1607          | ECR.AUTOFR.HM5 DIN  | STOPMUTTER HM5      | NUT                 |
| 2   | 2020          | ECROU H.M8 DIN934   | MUTTER HM8 DIN 934- | NUT HM8             |
| 3   | 2021          | ECR.AUTOFR.HM8 DIN  | STOPMUTTER HM 8 DIN | NUT HM8             |
| 4   | 5307          | VIS FHC M6X20       | SCHRAUBE M6X20      | SCREW M6X20         |
| 5   | 5602          | ANNEAUX TRUARCS     | RING TRUARC         | ANNEAUX TRUARCS     |
| 6   | 7094          | RDLE PL.B 4,3DIN90  | BEILAGSCHEIBE B 4,3 | FLAT WASHER         |
| 7   | 7335          | RDLE PL.A 8,4DIN12  | SCHEIBE A 8,4       | WASHER              |
| 8   | 9033          | GOUPILLE MECANIMBUS | STIFT               | PIN DIN 7343        |
| 9   | 71413         |                     |                     |                     |
| 10  | 22457         | RESSORT EMBRAYAGE   | FEDER               | CLUTCH SPRING       |
| 11  | 24609         | RESSORT DE RAPPEL   | FEDER               | SPRING              |
| 12  | 25012         | RONDELLE CAOUTCHOUC | GUMMISCHEIBE        | RUBBER WASHER       |
| 13  | 25560         | POMMEAU LEVIER      | SCHALTHEBELKNOPF    | LEVER PROTECTIVE    |
| 14  | 25711         | CAVALIER            | FUEHRUNGLAGER       | STRAP               |
| 15  | 27022         | RACCORD EN T        | VERBINDUNGSSTÜCK T  | T CONNECTION        |
| 16  | 27111         | FIXATION DBLE 13    | DOPPELROHR BEFESTIG | HOLDER              |
| 17  | 27116         | COUPLEUR MALE 1/8   | KOPPLER 1/8         | MALE COUPLER 1/8    |
| 18  | 27122         | COUPLEUR FEMELL.1/8 | KUPPLUNG 1/8        | FEMALE COUPLER 1/8  |
| 19  | 27125         | BOUCHON COUPLEUR    | KOPPLER STOPFER     | COUPLER CAP         |
| 20  | 27126         | CAPUCHON COUPLEUR   | KOPPLER KAPPE       | COUPLER HOOD        |
| 21  | 29333         | AXE VERIN VID.ARR.  | HINT.ENTLEER.ZYL.BO | REAR EMPT.RAM SHAFT |
| 22  | 29372         | POIGNEE ARRIERE     | KORBGRIF            | BOX HANDLE          |
| 23  | 29378         | ROTULE A ANGLE      | WINKEL KUGELGELENK  | ANGLE KNUCKLE       |
| 24  | 29400         | VERIN VID.PANIER    | ENTLEERUNGSZYLINDER | G.BOX EMPTYING JACK |
| 25  | 29426         | AXE PANIER          | KORBBOLZEN          | GRASSBOX SHAFT      |
| 26  | 29468         | ADAPTATEUR CJM      | ADAPTER CJM         | ADAPTER CJM         |
| 27  | 29929         | EMBOUT MALE DIA.12  | EINSTECKMUFFE       | MALE NIPPLE DIA 12  |
| 28  | 29995         | BOUCHON DIAM.25     | STOPFEN DIA 25      | CAP DIA 25          |
| 29  | 31128         | BAC FIXE AVANT G.   | VORD.L.FESTER KORB  | FR.L.FIXED GRASBOX  |
| 30  | 31129         | PLAQUE RENFORT      | VERSTÄRKERUNG PLATE | REINFORCING PLATE   |
| 31  | 31144         | TIGE CDE RACLEUR    | GESTÄNGE            | ROD                 |
| 32  | 31224         | BROSSE              | BÜRSTE              | BRUCH               |
| 33  | 31245         | GUIDE ARRIERE       | HINTERE FÜHRUNG     | REAR GUIDE          |
| 34  | 31284         | AXE VERROU          | ACHSE               | AXLE                |
| 35  | 31401         | AXE CONTACT.PANIER  | KORB SCHALTER WELLE | GRASBOX SWITCH AXLE |
| 36  | 31515         | BAC FIXE            | FESTER KORB         | FIXED GRASBOX       |
| 37  | 31526         | BAC FIXE AVANT DROI | VORD.R.FESTER KORB  | FR.RG.FIXED GRASBOX |
| 38  | 31549         | PANIER FIXE         | FESTER KORB         | FIX.GRASBOX         |
| 39  | 31560         | TRINGLE DE COMMANDE | STEUERSTANGE        | CONTROL LINK        |
| 40  | 31566         | RACLEUR             | BODEN               | BOTTOM              |
| 41  | 30163         | GAINÉ PROTECT.670MM | SCHUTZHÜLLE 670 MM  | PROT.SLEEVE 670MM   |
| 42  | 31604         | FLEX.TIGE PAN.VERIN | SCHLAUCH            | HOSE                |
| 43  | 31605         | FLEX.PIST.PAN.VERIN | SCHLAUCH            | HOSE                |
| 44  | 31615         | FLEX.TE PANIER      | SCHLAUCH            | HOSE                |
| 45  | 35082         | CALE DROITE         | RECHTES KEIL        | RIGHT KEY           |
| 46  | 35083         | CALE GAUCHE         | LINKES KEIL         | LEFT KEY            |
| 47  | 35103         | BAGUE SIC 8X7.5     | BÜCHSE 8X7.5        | RING 8X7.5          |
| 48  | 35107         | AXE COMPENSATION    | ACHSE               | AXLE                |

|    |       |                     |                      |                     |
|----|-------|---------------------|----------------------|---------------------|
| 49 | 40173 | RESSORT DE REGLAGE  | EINSTEL. FEDER       | ADJUST - SPRING.    |
| 50 | 71018 | GOUPILLE FENDUE V3, | SPLINTE V 3,2 X 18   | V3,2 SPLIT PIN      |
| 51 | 71023 | VIS H M 6X50        | SCHRAUBE 6X50        | SCREW HM 6X50       |
| 52 | 71073 | ECROU AUTOFR.HM6    | STOPMUTTER HM6       | SELF LOCKING NUT    |
| 53 | 71077 | CHAPE 8X32 B        | GABEL 8X32 B DIN 71  | YOKE DIN 71751 8X32 |
| 54 | 71094 | RDLE PL.A 6,4       | SCHEIBE 6,4          | WASHER 6,4          |
| 55 | 71104 | VIS T.PL.CR. M5X16  | KREUTZSCHLITZLINSEN  | SCREW T. PL. CR M5X |
| 56 | 71112 | RIVET CLOUS DIAM.4X | NIETE 4X18           | DIA.4X18 STAR RIVET |
| 57 | 71169 | GOUJ.A CLAPET 8X32  | STIFT 8X32           | STUD 8X32           |
| 58 | 71187 | RDLE PL.A 8.4 ST    | UNTERLEGSCHLEIB.A8,4 | WASHER A 8,4        |
| 59 | 71188 | GOUPIL.ELAST. 4-26  | SPLINTE 4-26         | PIN 4-26            |
| 60 | 71273 | VIS H M8X25         | SCHRAUBE H M8X25     | SCREW H M8X25       |
| 61 | 71336 | RDLE 13X20X2        | SCHEIBE 13X20X2      | WASHER 13X20X2      |
| 62 | 71337 | VIS CB H M6-45,4,8  | SCHRAUBE M6X45 4.8   | SCREW M6X45 4.8     |
| 63 | 30457 | POCHET.JOINT V.PAN  | KBZYL.DICHTUNGSATZ   | GBX J.BAG OF GASKET |
| 64 | 20571 | VIS TF M6 X 50      | SCHRAUBE 6X50        | SCREW M6 X 50       |
| 65 | 21687 | VIS H M 8X55 DIN933 | SECHSKANTSCHRAUBE H  | HEXAGON SCREW,DIN 9 |





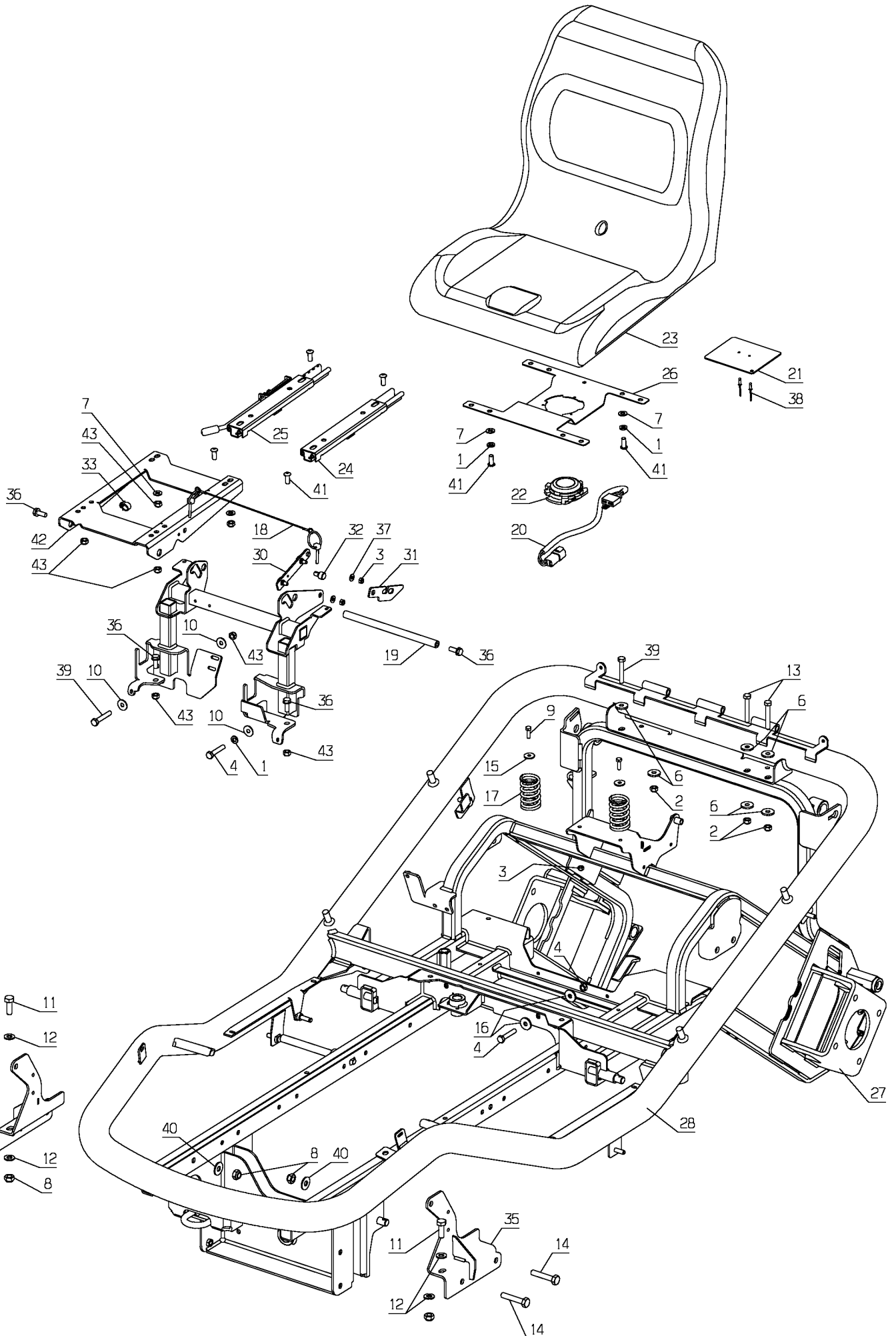
## PLO1113

| Rep | Réf<br>ETESIA | F                    | D                   | E                   |
|-----|---------------|----------------------|---------------------|---------------------|
| 1   | 2020          | ECROU H.M8 DIN934    | MUTTER HM8 DIN 934- | NUT HM8             |
| 2   | 2021          | ECR.AUTOFR.HM8 DIN   | STOPMUTTER HM 8 DIN | NUT HM8             |
| 3   | 2235          | RDLE PL.A 6,4DIN12   | SCHEIBE A 6.4       | WASHER A6.4         |
| 4   | 5232          | ECR.AUTOFR.HM6 DIN   | STOPMUTTER HM 6 DIN | SELF-LOCKING NUT    |
| 5   | 5334          | VIS H M 6X16 DIN933  | SCHRAUBE HM6X16     | SCREW HM6X16        |
| 6   | 5340          | VIS H M 8X45 DIN933  | HEXAGON SCREW DIN 9 | HEXAGON SCREW,DIN 9 |
| 7   | 5411          | RONDELLE             | SCHEIBE             | WASHER              |
| 8   | 5455          | BAGUE C14/18X18 BP   | LAGERBUECHSE C14/18 | SELF-LUBRIC.RING C1 |
| 9   | 5604          | RONDELLE PLATE LL6N  | SCHEIBE LL 6N       | WASHER              |
| 10  | 6169          | VIS HM 8X16 DIN 93   | SECHSKANTSCH.HM8X16 | SCREW HM8X16        |
| 11  | 7035          | RDLE PL.B 8,4DIN90   | BEILAGSCHEIBE B8,4  | FLAT WASHER         |
| 12  | 7334          | VIS H M 8X20 DIN933  | SECHSKANTSCHRAUBE H | HEXAGON SCREW,DIN 9 |
| 13  | 7335          | RDLE PL.A 8,4DIN12   | SCHEIBE A 8,4       | WASHER              |
| 14  | 9034          | RDLE NYLON           | K.SCHEI.15,2X28X2,5 | NYLON WASHER        |
| 15  | 20521         | RONDELLE L 8N        | SCHEIBE             | WASHER              |
| 16  | 21256         | CIRCLIPS INT.32X1,2  | SEEGERING 32X1,2    | CIRCLIP             |
| 17  | 21609         | GOUPILLE SPI.5X22    | SPLINTE 5X22        | PIN 5X22            |
| 18  | 21687         | VIS H M 8X55 DIN933  | SECHSKANTSCHRAUBE H | HEXAGON SCREW,DIN 9 |
| 19  | 22029         | RDLE PL.B 6,5DIN69   | BEILAGSCHEIBE B 6,5 | FLAT WASHER 6,5     |
| 20  | 24684         | ANNEAU TRUARC 8 DI   | SICHERUNGSRING 8 DI | TRUARC RING         |
| 21  | 25421         | POIGNEE              | HANDGRIFF           | GRIP                |
| 22  | 25422         | RESSORT DE RAPPEL    | HAKENFEDER          | RATCHET PULL-BACK S |
| 23  | 25429         | BOUTON POUSSOIR      | DRUCKKNOPF          | PARKING BRAKE RELEA |
| 24  | 25509         | POULIE TENDEUR DIAM  | SPANNSCHEIBE P 90   | TENSIONING PULLEY   |
| 25  | 25511         | RESSORT DE TORSION   | FEDER               | UPPER BELT TIGHTENE |
| 26  | 26511         | TEND.COURROIE SUP.   | RIEMENSANNER        | SPA UPPER BELT TIGH |
| 27  | 28070         | COUSSINET PANIER     | BÜCHSE              | SLEEVE              |
| 28  | 28143         | AMORTISS.TRANS.M.AV. | STOSSDÄMPFER        | SHOCK ABSORBER      |
| 29  | 28234         | ROTULE M8            | KUGELGELENK M8      | KNUCKLE M8          |
| 30  | 28555         | BAGUE SIC BB12-15    | SIC BUCHSE BB12-15  | SIC BUSH BB12-15    |
| 31  | 29450         | ADAPTATEUR CJM       | ADAPTER CJM         | ADAPTER CJM         |
| 32  | 29466         | ADAPTATEUR AJM       | ADAPTER AJM         | ADAPTER AJM         |
| 33  | 30294         | CAVALIER             | FÜHRUNGSLAGER       | STRAP               |
| 35  | 31031         | COURROIE TRANS.AV    | ANTRIEBSRIEMEN      | TRANSMISSION BELT   |
| 36  | 31067         | ARBRE RENVOI CDE     | BEDIENUNGSACHSE     | DRIVING SHAFT       |
| 37  | 31077         | TOLE SUPP. POMPE     | PUMPE HALTERUNG     | PUMP BRACKET        |
| 38  | 31087         | ENTRETOISE CRANTAGE  | RASTUNGS HÜLSE      | INDEXING SPACER     |
| 39  | 35136         | MACHOIRE DE FREIN    | BREMSBACKE          | BRAKE SHOE          |
| 40  | 31356         | MOYEU TAMBOUR + TS   | BREMSTROMMEL        | BRAKE DRUM          |
| 41  | 31360         | CRANTAGE FREIN       | BREMSTRASTUNG       | BRAKE INDEXING      |
| 42  | 31362         | AXE COMMANDE FREIN   | BREMSACHSE          | BRAKE AXLE          |
| 43  | 31364         | TOURILLON            | STÄNDER             | QUOIN               |
| 44  | 31368         | RESSORT DE TRACTION  | FEDER               | SPRING              |
| 45  | 31369         | TIGE DE FREIN        | BREMSSTANGE         | BRAKE ROD           |
| 46  | 31372         | LEVIER FREIN         | BREMSHEBEL          | BRAKE LEVER         |
| 47  | 31377         | BIELL.FREIN GAUCHE   | BREMSSCHWINGARM L.  | LEFT BRAKE ROD      |
| 48  | 31378         | BIELL.FREIN DROITE   | BREMSSCHWINGARM R.  | RIGHT BRAKE ROD     |
| 49  | 31635         | ADAPTATEUR           | ADAPTER             | ADAPTER             |

|     |       |                         |                     |                     |
|-----|-------|-------------------------|---------------------|---------------------|
| 50  | 31643 | REGLAGE POINT NEUTR     | NUL PUNKT EINSTELG  | DEAD POINT ADJUST.  |
| 51  | 31644 | BIELLETTE NEUTRE AV     | PLEUELSTANGE        | ROD                 |
| 52  | 31645 | BIELL.NEUTRE REcul      | PLEUELSTANGE        | ROD                 |
| 53  | 31646 | BIELLETTE POMPE         | PUMPE PLEUELSTANGE  | PUMP ROD            |
| 54  | 31650 | POMPE TA                | ANTRIEBSPUMPE       | TRANSMISSION PUMP   |
| 55  | 31652 | MOTEUR ROUE DROIT       | RECHTER RADMOTOR    | RIGHT WHEEL ENGINE  |
| 56  | 31657 | MOTEUR ROUE GAUCHE      | LINKER RADMOTOR     | LEFT WHEEL ENGINE   |
| 57  | 31658 | POULIE POMPE            | SCHEIBE             | PULLEY              |
| 58  | 31659 | RESSORT DE RAPPEL       | FEDER               | SPRING              |
| 59  | 31669 | TIGE LEVIER POMPE       | PUMPE HEBEL STANGE  | PUMP LEVER ROD      |
| 60  | 31672 | REnVOI COMMANDE         | WINKEL STEUERUNG    | CORNER CONTROL      |
| 61  | 31675 | REnVOI PEDALE           | WINKEL PEDALE       | CORNER PEDAL        |
| 62  | 31678 | INVERSEUR PEDALE        | PEDALEN PLATTE      | PEDAL PLATE         |
| 63  | 31686 | BIELLETTE AVANCE        | VOR.PLEUELSTANGE    | FOR ROD             |
| 64  | 31687 | BIELLETTE REcul         | RÜCK PLEUELSTANGE   | BACK ROD            |
| 65  | 31688 | PEDALE REcul            | RÜCKWERTS PEDALE    | FORWARD PEDAL       |
| 66  | 31689 | PEDALE AVANCE           | ANTRIEBSPEDALE      | REVERSE PEDAL       |
| 67  | 71390 | GOUPIL.ELASTIQ.5-30     | KERBSTIFT 5-30      | SPIRAL PIN 5-30     |
| 68  | 31694 | ENTRETETOISE            | BÜCHSE              | SPACER              |
| 69  | 35111 | RESSORT COMPRESSION     | FEDER               | SPRING              |
| 70  | 35181 | CACHE FREIN             | BREMSDECKEL         | BRAKE COVER         |
| 71  | 35207 | TIGE DE COMMANDE        | STEUERPLEUELSTANGE  | CONTROL ROD         |
| 72  | 35266 | DOIGT INDEXAGE          | ZEIGER FINGER       | RATCHET             |
| 73  | 35268 | GUIDE                   | FÜHRUNG             | GUIDE               |
| 74  | 35285 | GRIFFAXE RENF.7         | BOLZENCLIP 7        | TRUARC COLLAR 7     |
| 75  | 42586 | RESSORT TUBE MANET.     | ROHR FEDER          | TUBE SPRING         |
| 76  | 71016 | RDLE 16X22X1 DIN988     | SCHEIBE 16X22X1     | WASHER 16X22X1      |
| 77  | 71018 | GOUPILLE FENDUE V3,     | SPLINTE V 3,2 X 18  | V3,2 SPLIT PIN      |
| 78  | 71023 | VIS H M 6X50            | SCHRAUBE 6X50       | SCREW HM 6X50       |
| 79  | 71047 | CIRCL.EXT. 15X1         | SEEGERING 15X1      | CIRCLIP DIN 471 15X |
| 80  | 71049 | RDLE GROWER A6          | FEDERRING A6 DIN 12 | SPRING WASHER,DIN 1 |
| 81  | 71067 | VIS HM8-75 DIN 933      | SECHSKANTSCH.HM8X75 | HEXAG.SCREW HM8X75  |
| 82  | 71069 | VIS J M 6X16 DIN603     | SCHRAUBE JM 6X16 DI | BOLT DIN 603        |
| 83  | 71157 | ECROU AUTOFR.HM12       | MUTTER              | NUT AUTOFR.HM12     |
| 84  | 71274 | RDLE PLATE B8.4         | SCHEIBE B8.4        | WASHER B8.4         |
| 85  | 71310 | RDLE LL8-30-1.5         | SCHEIBE             | WASHER              |
| 86  | 71343 | RDLE GROWER A8          | FEDERSCHEIBE A8     | SPRING WASHER A8    |
| 87  | 71345 | GOUP.FENDUE 4-45        | SPLINTE 4-45        | SPLIT PIN 4-45      |
| 88  | 31664 | CORPS AMORTISSEUR       | DÄMPFERGEHÄUSE      | ABSORBERCASE        |
| 89  | 34055 | CLAVETTE 6x6x20         | KEIL 6x6x20         | KEY 6x6x20          |
| 90  | 34047 | ECROU MOTEUR ROUE       | RADMOTOR MUTTER     | WHEEL ENGINE NUT    |
| 91  | 34048 | RONDELLE MOTEUR ROUE    | RADMOTOR SCHEIBE    | WHEEL ENGINE WASHER |
| 92  | 31681 | TIGE PEDALE             | PEDALE STANGE       | PEDAL ROD           |
| 93  | 32152 | VIS FIXATION ROUE       | RADBEST.F.SCHRAUBE  | WHEEL FITTING SCREW |
| 94  | 31004 | ROUE ARRIERE CPLTE      | HINTERRAD KPLT      | REAR WHEEL CPL      |
| 95  | 31280 | PNEU AR. 23X8,50-12     | H.REIFEN 23X8,50-12 | REAR TYRE23X8,50-12 |
| 96  | 31060 | JANTE AR.7.00X12        | HINTERRADFELGE 7X12 | REAR WHEEL RIM 7X12 |
| 97  | 35522 | DOUILLE                 | BÜCHSE              | SPACER              |
| 98  | 35356 | VIS HM12-65             | SCHRAUBE HM12-65    | SCREW HM12-65       |
| 99  | 31011 | POULIE SORTI.REnVOI     | SCHEIBE             | PULLEY GEAR OUTPUT  |
| 100 | 35290 | GOUPILLE ELASTIQUE 3X30 | KERBSTIFT 3X30      | SPIRAL PIN 3X30     |
| 101 | 25010 | BUTEE CAOUTCHOUC        | GUMMIANSCHLAG       | RUBBER STOP         |
| 102 | 7377  | GRIFFAXE RENF. 8        | BOLZENCLIP          | TRUARC COLLAR DIN 7 |
| 103 | 25887 | ENTRET.MARCHE-PIED      | DISTANZHUELSE       | STEP SPACER         |
| 104 | 71041 | AXE TYPE A 8X16         | BOLZEN TYP A 8X16 D | A TYPE SHAFT,DIN 14 |
| 105 | 71106 | VIS T PL CR M6X16       | KREUTZSCHLITZLINSEN | RECESSED HEAD SCREW |

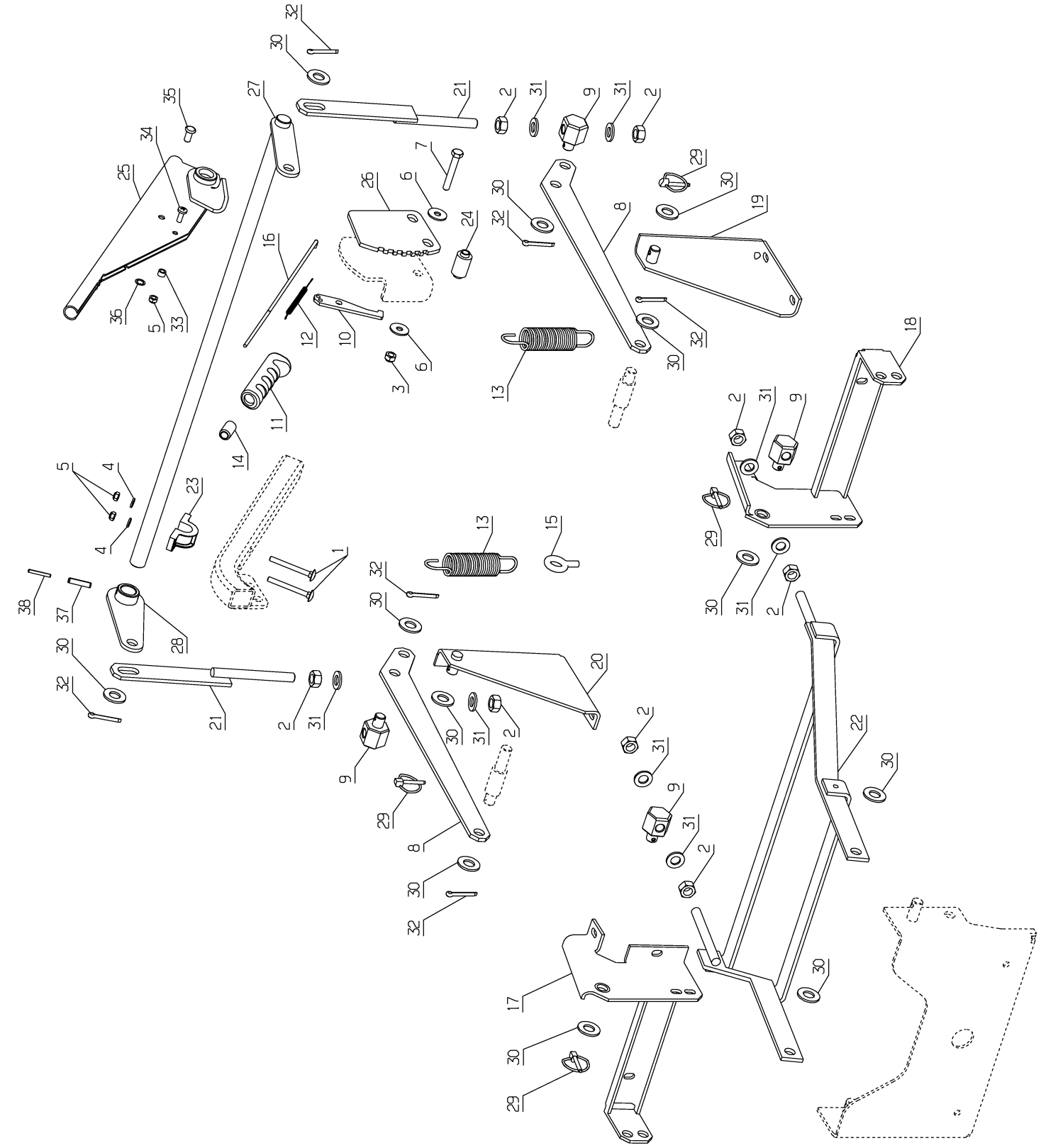


|     |       |                   |                     |                     |
|-----|-------|-------------------|---------------------|---------------------|
| 106 | 35272 | PNEU AR.23X8.5-12 | HINTERREIFEN 23X8.5 | REAR TYRE 23X8.5-12 |
| 107 | 35595 | JANTE AR.7.00X12  | HINTERRADFELGE 7X12 | REAR WHEEL RIM      |
| 108 | 25112 | RLT A BILLES 6202 | KUGELLAGER 6202     | BALL BEARING,6202 S |
| 109 | 71039 | CIRCL.INT.35X1,5  | SEEGERING 35X1.5    | CIRCLIP,DIN 427 35X |



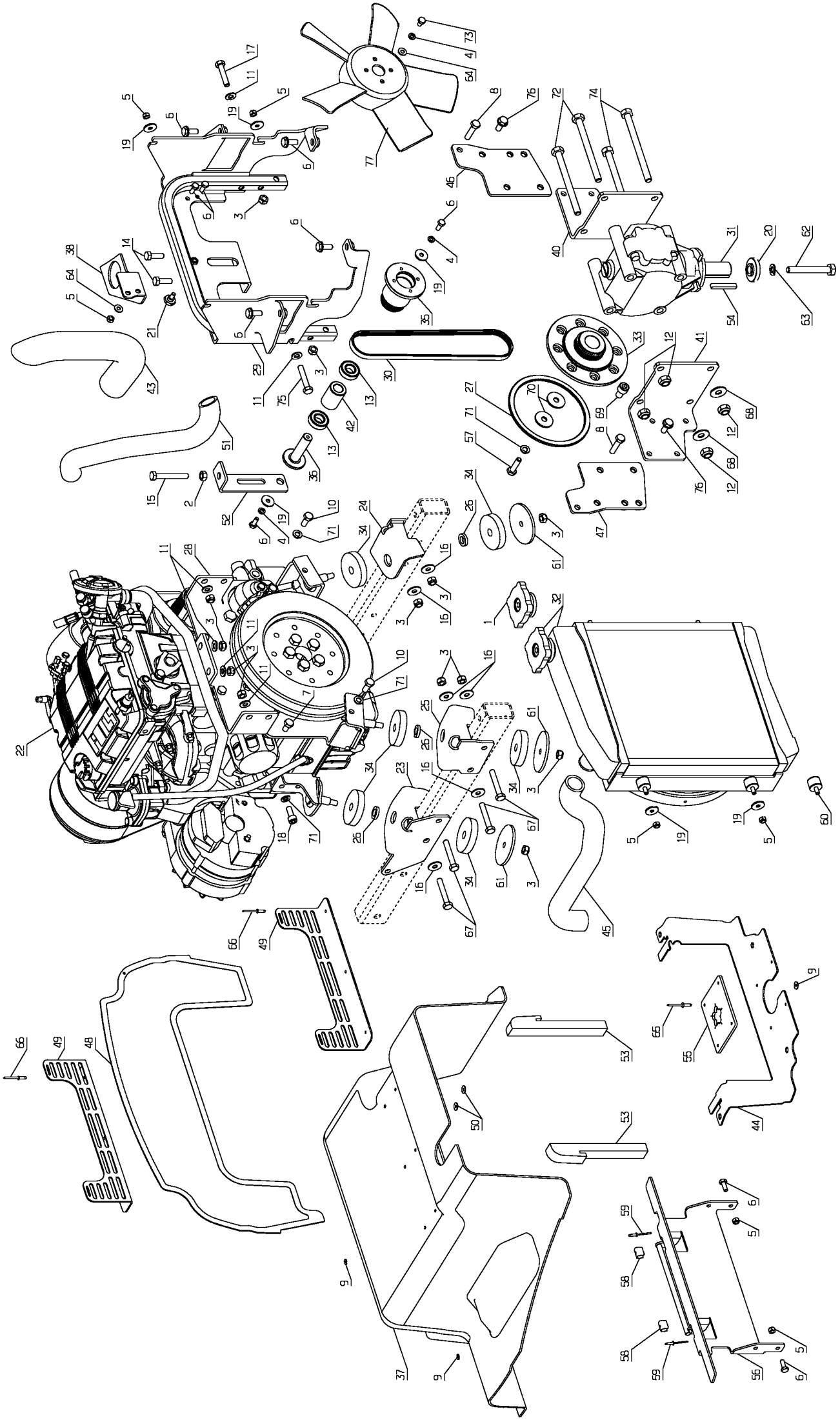
# PL01115

| Rep | Réf<br>ETESIA | F                   | D                    | E                   |
|-----|---------------|---------------------|----------------------|---------------------|
| 1   | 2017          | RDLE EVENT.A8,2 679 | FAECHERSSCHEIBE A8.2 | SERRATED LOCK WASHE |
| 2   | 2021          | ECR.AUTOFR.HM8 DIN  | STOPMUTTER HM 8 DIN  | NUT HM8             |
| 3   | 5232          | ECR.AUTOFR.HM6 DIN  | STOPMUTTER HM 6 DIN  | SELF-LOCKING NUT    |
| 4   | 5340          | VIS H M 8X45 DIN933 | HEXAGON SCREW DIN 9  | HEXAGON SCREW,DIN 9 |
| 6   | 7035          | RDLE PL.B 8,4DIN90  | BEILAGSCHEIBE B8,4   | FLAT WASHER         |
| 7   | 7335          | RDLE PL.A 8,4DIN12  | SCHEIBE A 8,4        | WASHER              |
| 8   | 9017          | ECR.AUTOFR.HM10 DIN | MUTTER HM10 DI       | NUT HM10            |
| 9   | 20507         | VIS HM 6 X 20       | SECHSKANT.HM 6X20    | BOLT HM 6X20        |
| 10  | 20521         | RONDELLE L 8N       | SCHEIBE              | WASHER              |
| 11  | 21035         | VIS HM10-30,8.8     | SECHSK.SCHR.M10X30   | HEX.SCREW M10X30    |
| 12  | 21036         | RDLE PL.A 10,5 DIN1 | BEILAGSCHEIBE 10.5   | FLAT WASHER 10.5    |
| 13  | 21687         | VIS H M 8X55 DIN933 | SECHSKANTSCHRAUBE H  | HEXAGON SCREW,DIN 9 |
| 14  | 22009         | VIS HM10-55,8.8     | SECHSK.SCHR.M10X55   | HEX.SCREW M10X55    |
| 15  | 22029         | RDLE PL.B 6,5DIN69  | BEILAGSCHEIBE B 6,5  | FLAT WASHER 6,5     |
| 16  | 22065         | RDLE 25X8,5X3       | SCHEIBE 25X8,5X3     | WASHER 25X8,5X3     |
| 17  | 25958         | RESSORT DE SIEGE    | SITZFEDER            | SEAT SPRING         |
| 18  | 28075         | GOUPIL.CLIPS CHAINE | FEDERSTECKER &KETTE  | SAFETY PIN & CHAIN  |
| 19  | 28315         | AXE ROULEAU AV.96   | ACHSE VORDERROLLE    | FR.ROLLER SHAFT 96  |
| 20  | 30688         | FAISCEAU SIEGE      | SITZ KABELBAUM       | SEAT WIRING         |
| 21  | 30689         | TOLE DETECT.OPERAT. | BENÜTZ.DETECT.BLECH  | USER DETECT. PLATE  |
| 22  | 30690         | CAPTEUR SIEGE       | SITZ SCHALTER        | SEAT SWITCH         |
| 23  | 30691         | SIEGE COMPLET       | SITZ KOMPLET         | SEAT CPLT           |
| 24  | 30714         | GLISSIERE GAUCHE    | LINKE SCHIENE        | LEFT SEAT GUIDE     |
| 25  | 30715         | GLISSIERE DROITE    | RECHTE SCHIENE       | RIGHT SEAT GUIDE    |
| 26  | 30718         | TOLE CAPTEUR        | SCHALTER BLECH       | SWITCH PLATE        |
| 27  | 31056         | CHASSIS INT.SOUDE   | INNERER RAHMEN       | INNER FRAME         |
| 28  | 31069         | CHASSIS EXTERIEUR   | AUSSERER RAHMEN      | OUTSIDE FRAME       |
| 29  | 31088         | SUPPORT SIEGE       | SITZ HALTERUNG       | SEAT BRACKET        |
| 30  | 31329         | TRINGLE INFERIEURE  | UNTERE STANGE        | LOWER ROD           |
| 31  | 31330         | TOLE TRINGLE SUPERI | OBERE STANGE BLECH   | UPPER ROD PLATE     |
| 32  | 31333         | AXE TRINGLE         | STANGE ACHSE         | ROD AXLE            |
| 33  | 32219         | AGRAFE 12X2 EP.4    | KLAMMER 12X2         | KLAMP 12X2          |
| 34  | 35065         | TOLE LIAISON AV.D.  | HALTERUNG            | BRACKET             |
| 35  | 35066         | TOLE LIAISON AV.G.  | HALTERUNG            | BRACKET             |
| 36  | 71413         |                     |                      |                     |
| 37  | 71075         | RDLE PL.M 6N        | SCHEIBE              | WASHER              |
| 38  | 71139         | RIVET ALU TF 4X11   | NIETE                | RIVET ALU TF 4X11   |
| 39  | 71223         | VIS H M8X50 DIN933  | SCHRAUBE M8X50       | SCREW M8X50         |
| 40  | 71238         | RDLE PL. A 10,2     | BEILAGSCHEIBE A10,2  | WASHER A10,2        |
| 41  | 71373         | VIS B HC M8-20 ZBL  | SCHRAUBE M8X20       | SCREW M8X20         |



# PL01118

| Rep | Réf<br>ETESIA | F                   | D                   | E                   |
|-----|---------------|---------------------|---------------------|---------------------|
| 1   | 1507          | VIS JM 6-60,8,8     | VIERKANTSCHR. M6X60 | SCREW M6X60         |
| 2   | 1541          | ECROU H.M12 DIN934  | MUTTER HM12 DIN 934 | HEXAGON NUT,DIN 934 |
| 3   | 2021          | ECR.AUTOFR.HM8 DIN  | STOPMUTTER HM 8 DIN | NUT HM8             |
| 4   | 2235          | RDLE PL.A 6,4DIN12  | SCHEIBE A 6.4       | WASHER A6.4         |
| 5   | 5232          | ECR.AUTOFR.HM6 DIN  | STOPMUTTER HM 6 DIN | SELF-LOCKING NUT    |
| 6   | 7035          | RDLE PL.B 8,4DIN90  | BEILAGSCHEIBE B8,4  | FLAT WASHER         |
| 7   | 21687         | VIS H M 8X55 DIN933 | SECHSKANTSCHRAUBE H | HEXAGON SCREW,DIN 9 |
| 8   | 25403         | BIELLE ARRIERE      | KIPPHEBEL           | REAR ROD            |
| 9   | 25406         | PLOT REGLAGE        | EINSTELLBOLZEN      | ADJUSTMENT BOLT     |
| 10  | 25419         | DOIGT INDEXAGE      | ZEIGERFINGER        | RATCHET             |
| 11  | 25421         | POIGNEE             | HANDGRIFF           | GRIP                |
| 12  | 25422         | RESSORT DE RAPPEL   | HAKENFEDER          | RATCHET PULL-BACK S |
| 13  | 25426         | RESSORT COMPENSAT.  | KOMPENSATIONSFEDER  | RESSORT COMPENSAT.  |
| 14  | 25429         | BOUTON POUSSOIR     | DRUCKKNOPF          | PARKING BRAKE RELEA |
| 15  | 25432         | ANNEAU DE LEVAGE    | AUFHÄNGUNG          | LIFTING RING        |
| 16  | 25729         | TIGE CDE LEVIER     | SCHALTHEBEL         | PARKING BRAKE ROD   |
| 17  | 26100         | SUPPORT AV. DROIT   | VORDERE AUFHÄNGUNG  | RH FRONT SUPPORT AS |
| 18  | 26101         | SUPPORT AV. GAUCHE  | VORDERE AUFHÄNGUNG  | LH FRONT SUPPORT AS |
| 19  | 26452         | PATTE DE LEVAGE GAU | BEFESTIGUNGSBLECH L | LH LIFTING LUG ASSY |
| 20  | 26453         | PATTE DE LEVAGE DRO | BEFESTIGUNGSBLECH R | RH LIFTING LUG ASSY |
| 21  | 26454         | TIRANT ARRIERE      | ZUGSTANGE           | REAR TIE ROD        |
| 22  | 26455         | TIRANT AVANT        | VORDERE SCHWINGGABE | FRONT TIE ROD       |
| 23  | 30294         | CAVALIER            | FÜHRUNGSLAGER       | STRAP               |
| 24  | 31087         | ENTRETOISE CRANTAGE | RASTUNGS HÜLSE      | INDEXING SPACER     |
| 25  | 31357         | LEVIER HDC          | SCHNITTHÖHE HEBEL   | CUTTING HEIGH.LEVER |
| 26  | 31361         | CRANTAGE HDC        | SCHNITTHÖHE RASTUNG | CUTT.HEIGH.INDEXING |
| 27  | 35019         | AXE DE RENVOI       | WINKEL ACHSE        | CORNER AXLE         |
| 28  | 35020         | BIELL.LEVAGE DROIT  | PLEUELSTANGE RECHT  | HIGH.RIGHT ROD      |
| 29  | 71005         | GOUP. A CLIPS 5X32  | FEDERSTECKER        | SAFETY PIN,DIN 1102 |
| 30  | 71034         | RDLE PL. M14 U      | SCHEIBE M14 U NFE 2 | FLAT WASHER NFE 276 |
| 31  | 71035         | RDLE PL. M12 U      | BEILAGSCHEIBE M12 U | FLAT WASHER NFE 276 |
| 32  | 71101         | GOUPIL.FENDUE V5X28 | SPLINTE V 5 X 28 DI | COTTER PIN,DIN 94 S |
| 33  | 25887         | ENTRET.MARCHE-PIED  | DISTANZHUELSE       | STEP SPACER         |
| 34  | 71106         | VIS T PL CR M6X16   | KREUTZSCHLITZLINSEN | RECESSED HEAD SCREW |
| 35  | 71041         | AXE TYPE A 8X16     | BOLZEN TYP A 8X16 D | A TYPE SHAFT,DIN 14 |
| 36  | 7377          | GRIFFAXE RENF. 8    | BOLZENCLIP          | TRUARC COLLAR DIN 7 |
| 37  | 71013         | GOUPIL. ELAST. 6X30 | KERBSTIFT 6X30 DIN  | SPIRAL PIN,DIN 1481 |
| 38  | 71014         | GOUPIL.ELAST.3,5X30 | KERBSTIFT 3.5X30 DI | SPIRAL PIN,DIN 1481 |



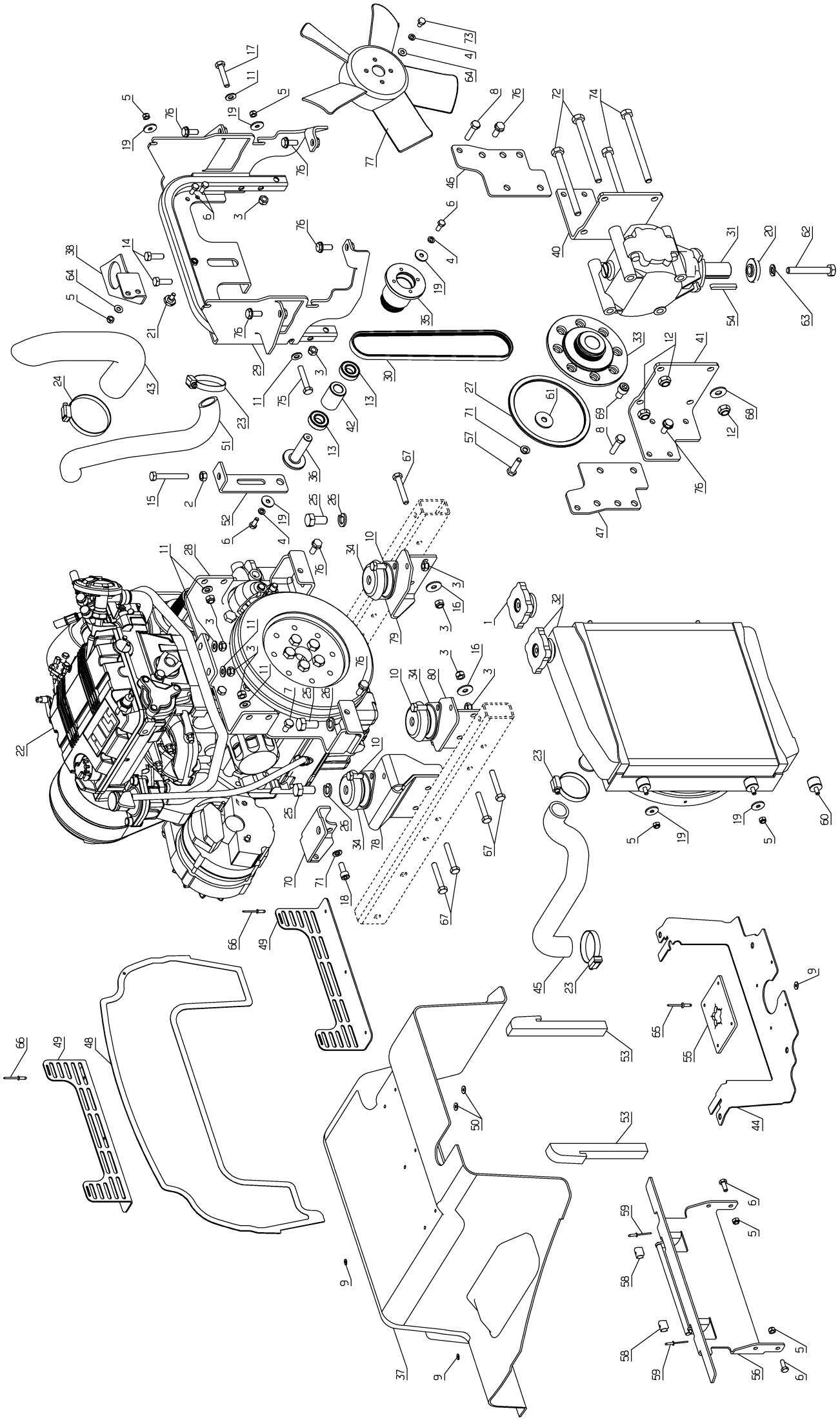
# PLO1120

| Rep | Réf<br>ETESIA | F                   | D                   | E                   |
|-----|---------------|---------------------|---------------------|---------------------|
| 1   | 34033         | BOUCHON RADIATEUR   | KÜHLER STOPFEN      | RADIATOR CAP        |
| 2   | 2020          | ECROU H.M8 DIN934   | MUTTER HM8 DIN 934- | NUT HM8             |
| 3   | 2021          | ECR.AUTOFR.HM8 DIN  | STOPMUTTER HM 8 DIN | NUT HM8             |
| 4   | 2233          | RONDELLE M 6 FZA ST | FAESCHERSCHEIBE 6,4 | WASHER              |
| 5   | 5232          | ECR.AUTOFR.HM6 DIN  | STOPMUTTER HM 6 DIN | SELF-LOCKING NUT    |
| 6   | 5334          | VIS H M 6X16 DIN933 | SCHRAUBE HM6X16     | SCREW HM6X16        |
| 7   | 6169          | VIS HM 8X16 DIN 93  | SECHSKANTSCH.HM8X16 | SCREW HM8X16        |
| 8   | 7038          | VIS H M 8X35 DIN933 | SECHSKANTSCHRAUBE H | SCREW,DIN933 H M 8X |
| 9   | 7094          | RDLE PL.B 4,3DIN90  | BEILAGSCHEIBE B 4,3 | FLAT WASHER         |
| 10  | 7334          | VIS H M 8X20 DIN933 | SECHSKANTSCHRAUBE H | HEXAGON SCREW,DIN 9 |
| 11  | 7335          | RDLE PL.A 8,4DIN12  | SCHEIBE A 8,4       | WASHER              |
| 12  | 9017          | ECR.AUTOFR.HM10 DIN | MUTTER HM10 DI      | NUT HM10            |
| 13  | 9022          | ROULEMENT A BILLES  | KUGELLAGER 6002 2RS | BALL BEARING 6002   |
| 14  | 9056          | VIS H M 8X25 DIN933 | SCHRAUBE 8X25       | BOLT 8X25           |
| 15  | 20513         | VIS H M 8X60 DIN933 | SECHSKANTSCHRAUBE H | SCREW,DIN 933 H M 8 |
| 16  | 20521         | RONDELLE L 8N       | SCHEIBE             | WASHER              |
| 17  | 21114         | VIS HM 8X40         | SCHRAUBE 8X40       | BOLT 8X40           |
| 18  | 22011         | VIS CHC M 8X20      | SCHRAUBE M 8X20     | BOLT M 8X20         |
| 19  | 22029         | RDLE PL.B 6,5DIN69  | BEILAGSCHEIBE B 6,5 | FLAT WASHER 6,5     |
| 20  | 25288         | RDLE MOTEUR         | MOTORSCHIEBE        | ENG. WASHER         |
| 21  | 28137         | VIS EPAUL.LOQUET ZG | FÜHRUNGZAPFEN       | CATCH BOLT SP.SCREW |
| 22  | 31001         | MOTEUR LOMB.LDW 702 | MOTOR LOMB.LDW 702  | ENGINE LOMB.LDW 702 |
| 23  | 31007         | SUPPORT PLOT AV.G   | VORD.L.KLOTZHALTER. | FRONT L.BLOCK BRACK |
| 24  | 31014         | SUPPORT PLOT ARR.D. | HINT.R.KLOTZHALTER. | REAR RG BLOCK BRACK |
| 25  | 31015         | SUPPORT PLOT ARR.G. | HINT.LK.KLOTZHALTER | REAR L.BLOCK BRACK. |
| 26  | 31016         | RONDELLE ELASTIQUE  | ELASTISCHE SCHEIBE  | ELASTIC WASHER      |
| 27  | 31021         | ACCOUPL.FLEXIBLE    | FLANSCH             | COUPLING            |
| 28  | 31023         | SUPPORT DEMARREUR   | ANLASSER HALTERUNG  | STARTER BRACKET     |
| 29  | 31032         | SUPPORT RENVOI      | WINKEL GETRIEB.HALT | CORNER GEAR BRACKET |
| 30  | 31038         | COURROIE HELICE     | RIEMEN              | BELT                |
| 31  | 31040         | RENGOI ANGLE L      | L WINKEL GETRIEBE   | L CORNER GEAR       |
| 32  | 31041         | RADIATEUR EAU       | KÜHLER              | RADIATOR            |
| 33  | 31042         | ACCOUPEMENT MOTEUR  | MOTORFLANSCH        | ENGINE COUPLING     |
| 34  | 31044         | PLOT ELASTIQUE      | ELASTISCHER KLOTZ   | ELASTIC BLOCK       |
| 35  | 31045         | ACCOUPEMENT HELICE  | FLANSCH             | COUPLING            |
| 36  | 31046         | ARBRE POULIE        | SCHEIBE WELLE       | PULLEY SHAFT        |
| 37  | 31073         | CONDUIT ASPIRATION  | ANSAUGS DECKEL      | ASPIRATION COVER    |
| 38  | 31099         | SUPPORT DURIT AIR   | LUFTSCHLAUCH HALTER | AIR HOSE BRACKET    |
| 39  | 31254         | SUPPORT MOTEUR G.   | LINKE MOTOR HALTERG | LEFT ENGINE BRACKET |
| 40  | 31270         | SUPPORT RENVOI DROI | WINKELGETRI.HALT.R. | R.CORN.GEAR BRACKET |
| 41  | 31271         | SUPPORT RENVOI G.   | WINKELGETRI.HALT.L. | L.CORN.GEAR BRACKET |
| 42  | 31304         | ENTRETOISE HELICE   | LUFTERRAD HÜLSE     | FLYWHEEL SPACER     |
| 43  | 31305         | DURIT ASPI.AIR      | LUFT SCHLAUCH       | AIR HOSE            |
| 44  | 31313         | TOLE ISOLATION ARR. | HINT.ISOLIER PLATTE | REAR INSULAT. PLATE |
| 45  | 31315         | DURIT EAU           | WASSERSCHLAUCH      | WATER HOSE          |
| 46  | 31318         | FIXAT.RENGOI DROIT  | WINKELGETRI.HALT.R. | R.CORN.GEAR BRACKET |
| 47  | 31319         | FIXAT.RENGOI GAUCHE | WINKELGETRI.HALT.L. | L.CORN.GEAR BRACKET |
| 48  | 31388         | GRILLE RADIAT.AMOV. | KÜHLER GITTER       | RADIATOR GRID       |

|    |       |                      |                     |                     |
|----|-------|----------------------|---------------------|---------------------|
| 49 | 31389 | FIXAT.GRILLE RADIAT  | BEFEST.KÜHL.GITTER  | RADIATO.GRID FIXING |
| 50 | 20564 | RDELLE PLATE 5,5     | SCHEIBE 5,5         | WASHER              |
| 51 | 31496 | DURIT RADIATEUR ARR  | KÜHLERSCHLAUCH HINT | REAR RADIATOR HOSE  |
| 52 | 35047 | COULISSEAU HELICE    | LUFERRAD EINSTELL.  | FLYWHEEL ADJUST.    |
| 53 | 35123 | MOUSS.ISOLAT.MOTEUR  | ISOLIERUNG          | INSULATION FOAM     |
| 54 | 35209 | CLAV.C6.35X6.35X45   | KEIL 6.35X6.35X45   | KEY 6.35X6.35X45    |
| 55 | 35217 | ETANCH.FLEX.DIRECT.  | ABDICHTUNG          | SEALING             |
| 56 | 35226 | FIX.AVANT CONDUIT    | BEFESTIGUNG         | BRACKET             |
| 57 | 35265 | VIS HM8-25           | SCHRAUBE HM8-25     | SCREW HM8-25        |
| 58 | 25886 | AGRAFE 17/20         | KLEMME 17/20        | 17/20 CUP           |
| 59 | 35233 |                      |                     |                     |
| 60 | 34032 | SILENTBLOC RADIATEUR | KÜHLER SILENTBLOC   | RADIATOR SILENTBLOC |
| 61 | 42631 | RLE D' APPUI HDC     | SCHEIBE             | CUT. HEIGHT WASHER  |
| 62 | 71032 | VIS H M 10X75        | SECHSKANTSCHRAUBE H | KAWA SCREW H M10X75 |
| 63 | 71052 | RDLE FREIN A10       | FEDERRING A10 DIN 1 | SPRING WASHER,DIN 1 |
| 64 | 71075 | RDLE PL.M 6N         | SCHEIBE             | WASHER              |
| 65 | 71113 | RIVET CLOUS DIAM.4X  | NIETE 4X14,8 (ALU)  | NAIL RIVET, DIA. 4X |
| 66 | 71241 | RIVET 4,8X10,5       | NIETE 4,8X10,5      | NAIL RIVET 4,8X10,5 |
| 67 | 71223 | VIS H M8X50 DIN933   | SCHRAUBE M8X50      | SCREW M8X50         |
| 68 | 71238 | RDLE PL. A 10,2      | BEILAGSCHEIBE A10,2 | WASHER A10,2        |
| 69 | 71246 | VIS CHC M10X12       | INBUSSCHRAUB.M10X12 | SCREW M10X12        |
| 70 | 71311 | RONDELLE 8X30X2,5    | SCHEIBE 8X30X2,5    | WASHER 8X30X2,5     |
| 71 | 71343 | RDLE GROWER A8       | FEDERSCHEIBE A8     | SPRING WASHER A8    |
| 72 | 71350 |                      |                     |                     |
| 73 | 71355 | VIS HM6-10,8.8       | SCHRAUBE M6X10      | HEX.SCREW M6X10     |
| 74 | 71356 | VIS HM10-130,8.8     | SCHRAUBE M10X130    | HEX.SCREW M10X130   |
| 75 | 71412 | VIS HM8-45,10.9      | SCHRAUB.HM8-45,10.9 | SCREW HM8-45,10.9   |
| 77 | 34046 | VENTILATEUR          | LUFERRAD            | FLYWHEEL            |





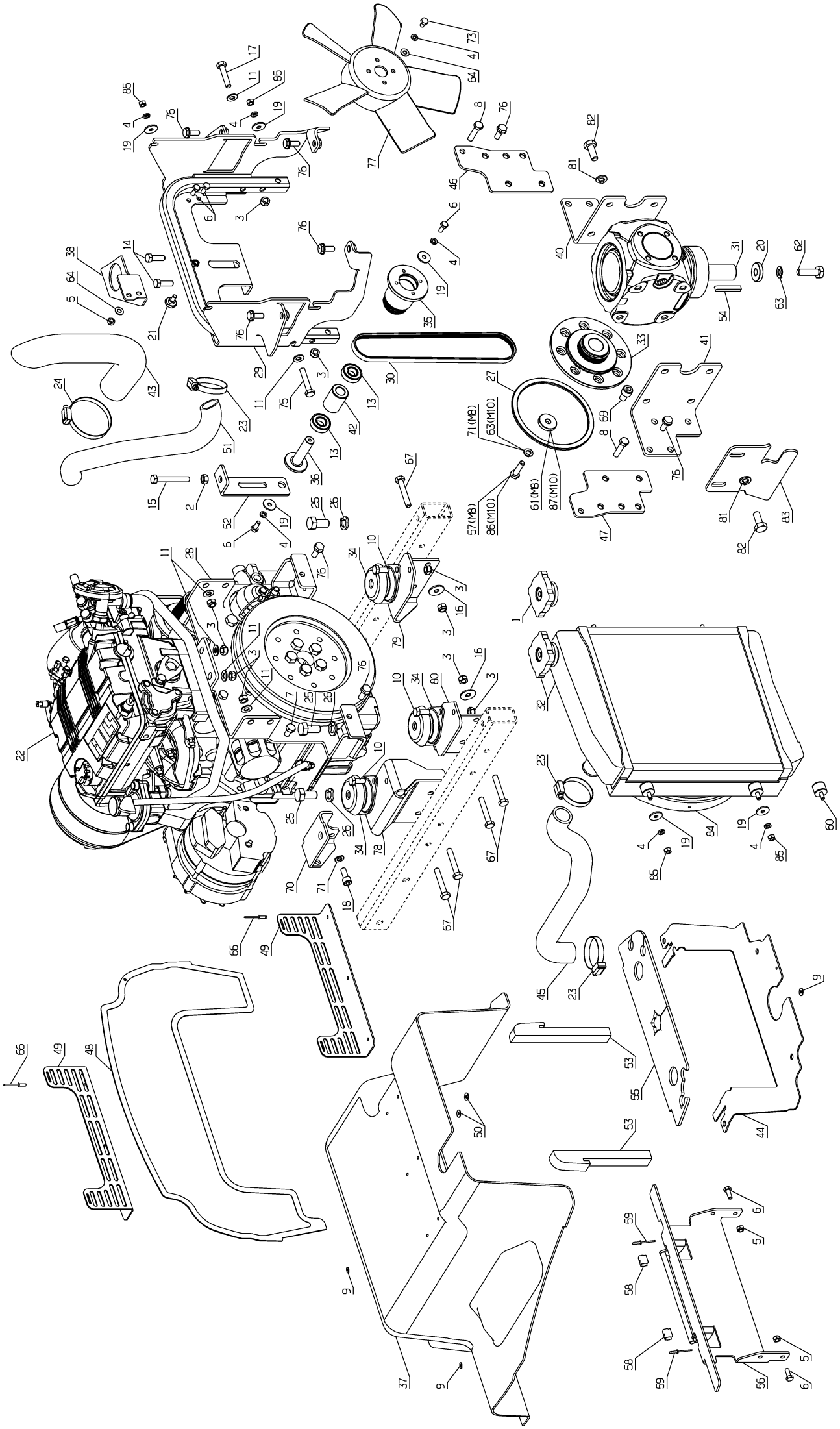


# PL01309

| Rep | Réf<br>ETESIA | F                      | D                               | E                         |
|-----|---------------|------------------------|---------------------------------|---------------------------|
| 1   | 34033         | BOUCHON RADIATEUR      | KÜHLER STOPFEN                  | RADIATOR CAP              |
| 2   | 2020          | ECROU H.M8 DIN934      | MUTTER HM8 DIN 934-             | NUT HM8                   |
| 3   | 2021          | ECR.AUTOFR.HM8 DIN     | STOPMUTTER HM 8 DIN             | NUT HM8                   |
| 4   | 2233          | RONDELLE M 6 FZA ST    | FAESCHERSCHEIBE 6,4             | WASHER                    |
| 5   | 5232          | ECR.AUTOFR.HM6 DIN     | STOPMUTTER HM 6 DIN             | SELF-LOCKING NUT          |
| 6   | 5334          | VIS H M 6X16 DIN933    | SCHRAUBE HM6X16                 | SCREW HM6X16              |
| 7   | 6169          | VIS HM 8X16 DIN 93     | SECHSKANTSCH.HM8X16             | SCREW HM8X16              |
| 8   | 7038          | VIS H M 8X35 DIN933    | SECHSKANTSCHRAUBE H             | SCREW,DIN933 H M 8X       |
| 9   | 7094          | RDLE PL.B 4,3DIN90     | BEILAGSCHEIBE B 4,3             | FLAT WASHER               |
| 10  | 7334          | VIS H M 8X20 DIN933    | SECHSKANTSCHRAUBE H             | HEXAGON SCREW,DIN 9       |
| 11  | 7335          | RDLE PL.A 8,4DIN12     | SCHEIBE A 8,4                   | WASHER                    |
| 12  | 9017          | ECR.AUTOFR.HM10 DIN    | MUTTER HM10 DI                  | NUT HM10                  |
| 13  | 9022          | ROULEMENT A BILLES     | KUGELLAGER 6002 2RS             | BALL BEARING 6002         |
| 14  | 9056          | VIS H M 8X25 DIN933    | SCHRAUBE 8X25                   | BOLT 8X25                 |
| 15  | 20513         | VIS H M 8X60 DIN933    | SECHSKANTSCHRAUBE H             | SCREW,DIN 933 H M 8       |
| 16  | 20521         | RONDELLE L 8N          | SCHEIBE                         | WASHER                    |
| 17  | 21114         | VIS HM 8X40            | SCHRAUBE 8X40                   | BOLT 8X40                 |
| 18  | 22011         | VIS CHC M 8X20         | SCHRAUBE M 8X20                 | BOLT M 8X20               |
| 19  | 22029         | RDLE PL.B 6,5DIN69     | BEILAGSCHEIBE B 6,5             | FLAT WASHER 6,5           |
| 20  | 25288         | RDLE MOTEUR            | MOTORSCHIEBE                    | ENG. WASHER               |
| 21  | 28137         | VIS EPAUL.LOQUET ZG    | FÜHRUNGSAFFEN                   | CATCH BOLT SP.SCREW       |
| 22  | 31001         | MOTEUR LOMB.LDW 702    | MOTOR LOMB.LDW 702              | ENGINE LOMB.LDW 702       |
| 23  | 29283         | COLLIER DURIT 38MM     | SCHLAUCHSCHELLE 38MM            | HOSE CLAMP 38MM           |
| 24  | 29566         | COLLIER DURIT 56 MM    | SCHLAUCHSCH. 56MM               | HOSE CLAMP 56 MM          |
| 25  | 71324         | VIS H M12-25,8,8       | SCHRAUBE M12X25 8,8             | H.SCREW M12X25 8,8        |
| 26  | 71325         | RDLE GROWER A12        | FEDERSCHIEBE A12                | SPRING WASHER A12         |
| 27  | 31021         | ACCOUPL.FLEXIBLE       | FLANSCH                         | COUPLING                  |
| 28  | 35845         | SUPPORT DEMARREUR      | ANLASSER HALTERUNG              | STARTER BRACKET           |
| 29  | 31032         | SUPPORT RENVOI         | WINKEL GETRIEB.HALT             | CORNER GEAR BRACKET       |
| 30  | 31038         | COURROIE HELICE        | RIEMEN                          | BELT                      |
| 31  | 31040         | RENVOI ANGLE L         | L WINKEL GETRIEBE               | L CORNER GEAR             |
| 32  | 31041         | RADIATEUR EAU          | KÜHLER                          | RADIATOR                  |
| 33  | 31042         | ACCOUPEMENT MOTEUR     | MOTORFLANSCH                    | ENGINE COUPLING           |
| 34  | 32324         | PLOT MOTEUR            | MOTORFEDERUNSKLOTZ              | ENGINE SUSPENS.PIN        |
| 35  | 31045         | ACCOUPEMENT HELICE     | FLANSCH                         | COUPLING                  |
| 36  | 31046         | ARBRE POULIE           | SCHEIBE WELLE                   | PULLEY SHAFT              |
| 37  | 31073         | CONDUIT ASPIRATION     | ANSAUGS DECKEL                  | ASPIRATION COVER          |
| 38  | 31099         | SUPPORT DURIT AIR      | LUFTSCHLAUCH HALTER             | AIR HOSE BRACKET          |
| 40  | 35874         | SUPPORT RENVOI DROIT   | RECHTE WINKELGETRIEBE HALTERUNG | RIGHT CORNER GEAR BRACKET |
| 41  | 35875         | SUPPORT RENVOI GAUCHE  | LINKE WINKELGETRIEBE HALTERUNG  | LEFT CORNER GEAR BRACKET  |
| 42  | 31304         | ENTRETOISE HELICE      | LUFTERRAD HÜLSE                 | FLYWHEEL SPACER           |
| 43  | 31305         | DURIT ASPI.AIR         | LUFT SCHLAUCH                   | AIR HOSE                  |
| 44  | 31313         | TOLE ISOLATION ARR.    | HINT.ISOLIER PLATTE             | REAR INSULAT. PLATE       |
| 45  | 31315         | DURIT EAU              | WASSERSCHLAUCH                  | WATER HOSE                |
| 46  | 35849         | FIXATION RENVOI DROIT  | RECHTE WINKELGETRIEBE HALTERUNG | RIGHT CORNER GEAR BRACKET |
| 47  | 35847         | FIXATION RENVOI GAUCHE | LINKE WINKELGETRIEBE HALTERUNG  | LEFT CORNER GEAR BRACKET  |
| 48  | 31388         | GRILLE RADIAT.AMOV.    | KÜHLER GITTER                   | RADIATOR GRID             |
| 49  | 31389         | FIXAT.GRILLE RADIAT    | BEFEST.KÜHL.GITTER              | RADIATO.GRID FIXING       |

|    |       |                             |                               |                           |
|----|-------|-----------------------------|-------------------------------|---------------------------|
| 50 | 20564 | RDELLE PLATE 5,5            | SCHEIBE 5,5                   | WASHER                    |
| 51 | 31496 | DURIT RADIATEUR ARR         | KÜHLERSCHLAUCH HINT           | REAR RADIATOR HOSE        |
| 52 | 35047 | COULISSEAU HELICE           | LUFERRAD EINSTELL.            | FLYWHEEL ADJUST.          |
| 53 | 35123 | MOUSS.ISOLAT.MOTEUR         | ISOLIERUNG                    | INSULATION FOAM           |
| 54 | 35209 | CLAV.C6.35X6.35X45          | KEIL 6.35X6.35X45             | KEY 6.35X6.35X45          |
| 55 | 35217 | ETANCH.FLEX.DIRECT.         | ABDICHTUNG                    | SEALING                   |
| 56 | 35226 | FIX.AVANT CONDUIT           | BEFESTIGUNG                   | BRACKET                   |
| 57 | 35265 | VIS HM8-25                  | SCHRAUBE HM8-25               | SCREW HM8-25              |
| 58 | 25886 | AGRAFE 17/20                | KLEMME 17/20                  | 17/20 CUP                 |
| 59 | 35318 | RIVET CLOU 3.2X13.6         | NIETE 5.2X13.6                | NAIL RIVET 3.2X13.6       |
| 60 | 34032 | SILENTBLOC RADIATEUR        | KÜHLER SILENTBLOC             | RADIATOR SILENTBLOC       |
| 61 | 35738 | RONDELLE PLATE 8,5x30x6     | SCHEIBE 8,5x30x6              | WASHER 8,5x30x6           |
| 62 | 71032 | VIS H M 10X75               | SECHSKANTSCHRAUBE H           | KAWA SCREW H M10X75       |
| 63 | 71052 | RDLE FREIN A10              | FEDERRING A10 DIN 1           | SPRING WASHER,DIN 1       |
| 64 | 71075 | RDLE PL.M 6N                | SCHEIBE                       | WASHER                    |
| 65 | 71113 | RIVET CLOUS DIAM.4X         | NIETE 4X14,8 (ALU)            | NAIL RIVET, DIA. 4X       |
| 66 | 71241 | RIVET 4,8X10,5              | NIETE 4,8X10,5                | NAIL RIVET 4,8X10,5       |
| 67 | 71223 | VIS H M8X50 DIN933          | SCHRAUBE M8X50                | SCREW M8X50               |
| 68 | 71238 | RDLE PL. A 10,2             | BEILAGSCHEIBE A10,2           | WASHER A10,2              |
| 69 | 71246 | VIS CHC M10X12              | INBUSSCHRAUB.M10X12           | SCREW M10X12              |
| 70 | 35850 | SUPPORT MOTEUR GAUCHE       | LINKE HALTERUNG               | LEFT BRACKET              |
| 71 | 71343 | RDLE GROWER A8              | FEDERSCHEIBE A8               | SPRING WASHER A8          |
| 72 | 71350 | VIS H M10x120               | SCHRAUBE H M10x120            | SCREW H M10x120           |
| 73 | 71355 | VIS HM6-10,8.8              | SCHRAUBE M6X10                | HEX.SCREW M6X10           |
| 74 | 71356 | VIS HM10-130,8.8            | SCHRAUBE M10X130              | HEX.SCREW M10X130         |
| 75 | 71412 | VIS HM8-45,10.9             | SCHRAUB.HM8-45,10.9           | SCREW HM8-45,10.9         |
| 76 | 71413 | VIS H M8x20 EMBASE CRANTEE  | SCHRAUBE H M8x20 MIT SCHEIBE  | SCREW H M8x20 WITH WASHER |
| 77 | 34046 | VENTILATEUR                 | LUFERRAD                      | FLYWHEEL                  |
| 78 | 35852 | SUPPORT PLOT AV. G.         | LINKE VORDERE HALTERUNG       | LEFT FRONT BRACKET        |
| 79 | 35914 | SUPPORT ARRIERE DROIT       | RECHTE HINTERE HALTERUNG      | RIGHT REAR BRACKET        |
| 80 | 35933 | SUPPORT PLOT ARRIERE GAUCHE | HINTERE LINKE MOTORKLOTZ HALT | REAR LEFT BRACKET         |





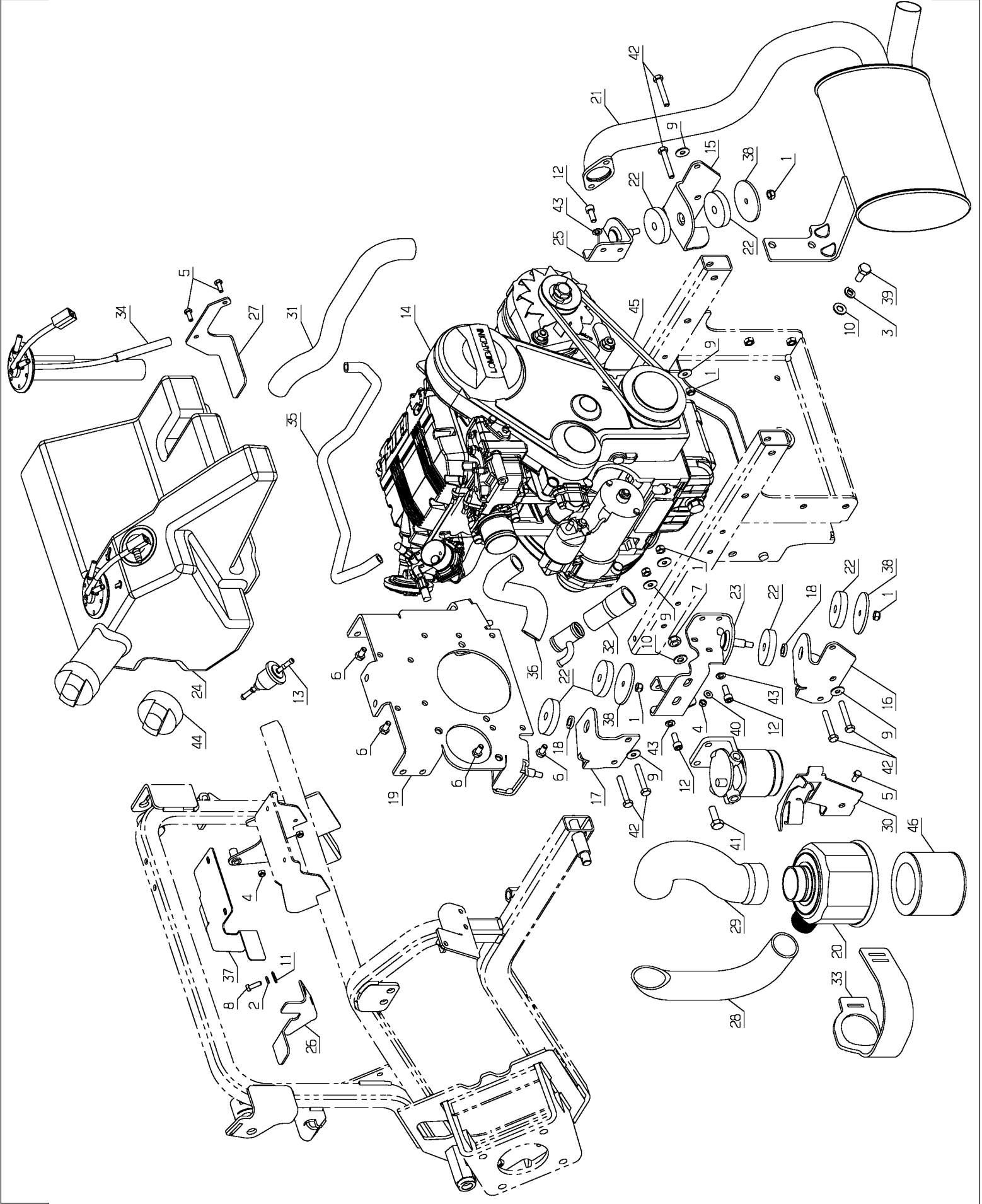
# PL01357

| Rep | Réf<br>ETESIA | F                             | D                                 | E                         |
|-----|---------------|-------------------------------|-----------------------------------|---------------------------|
| 1   | 34033         | BOUCHON RADIATEUR             | KÜHLER STOPFEN                    | RADIATOR CAP              |
| 2   | 2020          | ECROU H.M8 DIN934             | MUTTER HM8 DIN 934-               | NUT HM8                   |
| 3   | 2021          | ECR.AUTOFR.HM8 DIN            | STOPMUTTER HM 8 DIN               | NUT HM8                   |
| 4   | 2233          | RONDELLE M 6 FZA ST           | FAESCHERSCHEIBE 6,4               | WASHER                    |
| 5   | 5232          | ECR.AUTOFR.HM6 DIN            | STOPMUTTER HM 6 DIN               | SELF-LOCKING NUT          |
| 6   | 5334          | VIS H M 6X16 DIN933           | SCHRAUBE HM6X16                   | SCREW HM6X16              |
| 7   | 6169          | VIS HM 8X16 DIN 93            | SECHSKANTSCH.HM8X16               | SCREW HM8X16              |
| 8   | 7038          | VIS H M 8X35 DIN933           | SECHSKANTSCHRAUBE H               | SCREW,DIN933 H M 8X       |
| 9   | 7094          | RDLE PL.B 4,3DIN90            | BEILAGSCHEIBE B 4,3               | FLAT WASHER               |
| 10  | 7334          | VIS H M 8X20 DIN933           | SECHSKANTSCHRAUBE H               | HEXAGON SCREW,DIN 9       |
| 11  | 7335          | RDLE PL.A 8,4DIN12            | SCHEIBE A 8,4                     | WASHER                    |
| 13  | 9022          | ROULEMENT A BILLES            | KUGELLAGER 6002 2RS               | BALL BEARING 6002         |
| 14  | 9056          | VIS H M 8X25 DIN933           | SCHRAUBE 8X25                     | BOLT 8X25                 |
| 15  | 20513         | VIS H M 8X60 DIN933           | SECHSKANTSCHRAUBE H               | SCREW,DIN 933 H M 8       |
| 16  | 20521         | RONDELLE L 8N                 | SCHEIBE                           | WASHER                    |
| 17  | 21114         | VIS HM 8X40                   | SCHRAUBE 8X40                     | BOLT 8X40                 |
| 18  | 22011         | VIS CHC M 8X20                | SCHRAUBE M 8X20                   | BOLT M 8X20               |
| 19  | 22029         | RDLE PL.B 6,5DIN69            | BEILAGSCHEIBE B 6,5               | FLAT WASHER 6,5           |
| 20  | 25288         | RDLE MOTEUR                   | MOTORSCHLEIBE                     | ENG. WASHER               |
| 21  | 28137         | VIS EPAUL.LOQUET ZG           | FÜHRUNGSAFFEN                     | CATCH BOLT SP.SCREW       |
| 22  | 31001         | MOTEUR LOMB.LDW 702           | MOTOR LOMB.LDW 702                | ENGINE LOMB.LDW 702       |
| 23  | 29283         | COLLIER DURIT 38MM            | SCHLAUCHSCHELLE 38MM              | HOSE CLAMP 38MM           |
| 24  | 29566         | COLLIER DURIT 56 MM           | SCHLAUCHSCH. 56MM                 | HOSE CLAMP 56 MM          |
| 25  | 71324         | VIS H M12-25,8,8              | SCHRAUBE M12X25 8,8               | H.SCREW M12X25 8,8        |
| 26  | 71325         | RDLE GROWER A12               | FEDERSCHLEIBE A12                 | SPRING WASHER A12         |
| 27  | 31021         | ACCOUPL.FLEXIBLE              | FLANSCH                           | COUPLING                  |
| 28  | 35845         | SUPPORT DEMARREUR             | ANLASSER HALTERUNG                | STARTER BRACKET           |
| 29  | 31032         | SUPPORT RENVOI                | WINKEL GETRIEB.HALT               | CORNER GEAR BRACKET       |
| 30  | 31038         | COURROÏE HELICE               | RIEMEN                            | BELT                      |
| 31  | 36505         | RENVOI D'ANGLE                | WINKEL GETRIEBE                   | CORNER GEAR               |
| 32  | 37092         | RADIATEUR RENFORCE            | VERSTÄR.KÜHLER                    | RENFOR. RADIATOR          |
| 33  | 31042         | ACCOUPLLEMENT MOTEUR          | MOTORFLANSCH                      | ENGINE COUPLING           |
| 34  | 32324         | PLOT MOTEUR                   | MOTORFEDERUNSKLOTZ                | ENGINE SUSPENS.PIN        |
| 35  | 31045         | ACCOUPLLEMENT HELICE          | FLANSCH                           | COUPLING                  |
| 36  | 31046         | ARBRE POULIE                  | SCHEIBE WELLE                     | PULLEY SHAFT              |
| 37  | 31073         | CONDUIT ASPIRATION            | ANSAUGS DECKEL                    | ASPIRATION COVER          |
| 38  | 31099         | SUPPORT DURIT AIR             | LUFTSCHLAUCH HALTER               | AIR HOSE BRACKET          |
| 40  | 36509         | SUPPORT RENVOI DROIT          | WINKEL GETRIEBE HALTERUNG RECHT   | CORNER GEAR BRACKET RIGHT |
| 41  | 36508         | SUPPORT RENVOI D'ANGLE GAUCHE | WINKEL GETRIEBE HALTERUNG LINKS   | CORNER GEAR BRACKET LEFT  |
| 42  | 31304         | ENTRETOISE HELICE             | LUFTERRAD HÜLSE                   | FLYWHEEL SPACER           |
| 43  | 31305         | DURIT ASPI.AIR                | LUFT SCHLAUCH                     | AIR HOSE                  |
| 44  | 31313         | TOLE ISOLATION ARR.           | HINT.ISOLIER PLATTE               | REAR INSULAT. PLATE       |
| 45  | 31315         | DURIT EAU                     | WASSERSCHLAUCH                    | WATER HOSE                |
| 46  | 36512         | FIXATION RENVOI DROIT         | WINKEL GETRIEBE BEFESTIGUNG RECHT | CORNER GEAR FIXING RIGHT  |
| 47  | 36510         | FIXATION RENVOI GAUCHE        | WINKEL GETRIEBE BEFESTIGUNG LINKS | CORNER GEAR FIXING LEFT   |
| 48  | 31388         | GRILLE RADIAT.AMOV.           | KÜHLER GITTER                     | RADIATOR GRID             |
| 49  | 31389         | FIXAT.GRILLE RADIAT           | BEFEST.KÜHL.GITTER                | RADIATO.GRID FIXING       |
| 50  | 20564         | RDELLE PLATE 5,5              | SCHEIBE 5,5                       | WASHER                    |

|    |       |                             |                               |                           |
|----|-------|-----------------------------|-------------------------------|---------------------------|
| 51 | 31496 | DURIT RADIATEUR ARR         | KÜHLERSCHLAUCH HINT           | REAR RADIATOR HOSE        |
| 52 | 35047 | COULISSEAU HELICE           | LUFERRAD EINSTELL.            | FLYWHEEL ADJUST.          |
| 53 | 35123 | MOUSS.ISOLAT.MOTEUR         | ISOLIERUNG                    | INSULATION FOAM           |
| 54 | 35209 | CLAV.C6.35X6.35X45          | KEIL 6.35X6.35X45             | KEY 6.35X6.35X45          |
| 55 | 36825 | PROTECTION CONSOLE          | SCHUTZ                        | PROTECTION                |
| 56 | 35226 | FIX.AVANT CONDUIT           | BEFESTIGUNG                   | BRACKET                   |
| 57 | 35265 | VIS HM8-25                  | SCHRAUBE HM8-25               | SCREW HM8-25              |
| 58 | 25886 | AGRAFE 17/20                | KLEMME 17/20                  | 17/20 CUP                 |
| 59 | 71327 | RIVET ALU 4,2X21,5          | NIETE 4,2X21,5                | NAIL RIVET 4,2X21,5       |
| 60 | 36498 | PLOT ELASTIQUE RADIATEUR    | KÜHLER SILENTBLOC             | RADIATOR SILENTBLOC       |
| 61 | 35738 | RONDELLE PLATE 8,5x30x6     | SCHEIBE 8,5x30x6              | WASHER 8,5x30x6           |
| 62 | 71032 | VIS H M 10X75               | SECHSKANTSCHRAUBE H           | KAWA SCREW H M10X75       |
| 63 | 71052 | RDLE FREIN A10              | FEDERRING A10 DIN 1           | SPRING WASHER,DIN 1       |
| 64 | 71075 | RDLE PL.M 6N                | SCHEIBE                       | WASHER                    |
| 66 | 71241 | RIVET 4,8X10,5              | NIETE 4,8X10,5                | NAIL RIVET 4,8X10,5       |
| 67 | 71223 | VIS H M8X50 DIN933          | SCHRAUBE M8X50                | SCREW M8X50               |
| 69 | 71246 | VIS CHC M10X12              | INBUSSCHRAUB.M10X12           | SCREW M10X12              |
| 70 | 35850 | SUPPORT MOTEUR GAUCHE       | LINKE HALTERUNG               | LEFT BRACKET              |
| 71 | 71343 | RDLE GROWER A8              | FEDERSCHEIBE A8               | SPRING WASHER A8          |
| 73 | 71355 | VIS HM6-10,8.8              | SCHRAUBE M6X10                | HEX.SCREW M6X10           |
| 75 | 71412 | VIS HM8-45,10.9             | SCHRAUB.HM8-45,10.9           | SCREW HM8-45,10.9         |
| 76 | 71413 | VIS H M8x20 EMBASE CRANTEE  | SCHRAUBE H M8x20 MIT SCHEIBE  | SCREW H M8x20 WITH WASHER |
| 77 | 34046 | VENTILATEUR                 | LUFERRAD                      | FLYWHEEL                  |
| 78 | 35852 | SUPPORT PLOT AV. G.         | LINKE VORDERE HALTERUNG       | LEFT FRONT BRACKET        |
| 79 | 35914 | SUPPORT ARRIERE DROIT       | RECHTE HINTERE HALTERUNG      | RIGHT REAR BRACKET        |
| 80 | 35933 | SUPPORT PLOT ARRIERE GAUCHE | HINTERE LINKE MOTORKLOTZ HALT | REAR LEFT BRACKET         |
| 81 | 2244  | RDLE GROWER A10             | FEDERSCHEIBE A10              | WASHER A10                |
| 82 | 70086 | VIS H M10X25 DIN933         | SECHSKANTSCHRAUBE H           | HEXAGON SCREW,DIN 9       |
| 83 | 36513 | BUTÉE EMBRAYAGE             | KUPPLUNGSANSCHLAG             | CLUTCH STOP               |
| 84 | 36635 | VOLUTE RADIATEUR            | KÜHLERSPIRALE                 | RADIATEUR SPIRAL          |
| 85 | 1557  | ECROU H.M6 DIN934           | MUTTER HM 6 DIN 934           | NUT HM6                   |
| 86 | 71031 | VIS HM10X35 GAUCHE          | SECHSKANTSCHRAUBE M           | LH HEXAG.SCREW,DIN        |
| 87 | 37022 | RONDELLE                    | SCHEIBE                       | WASHER                    |

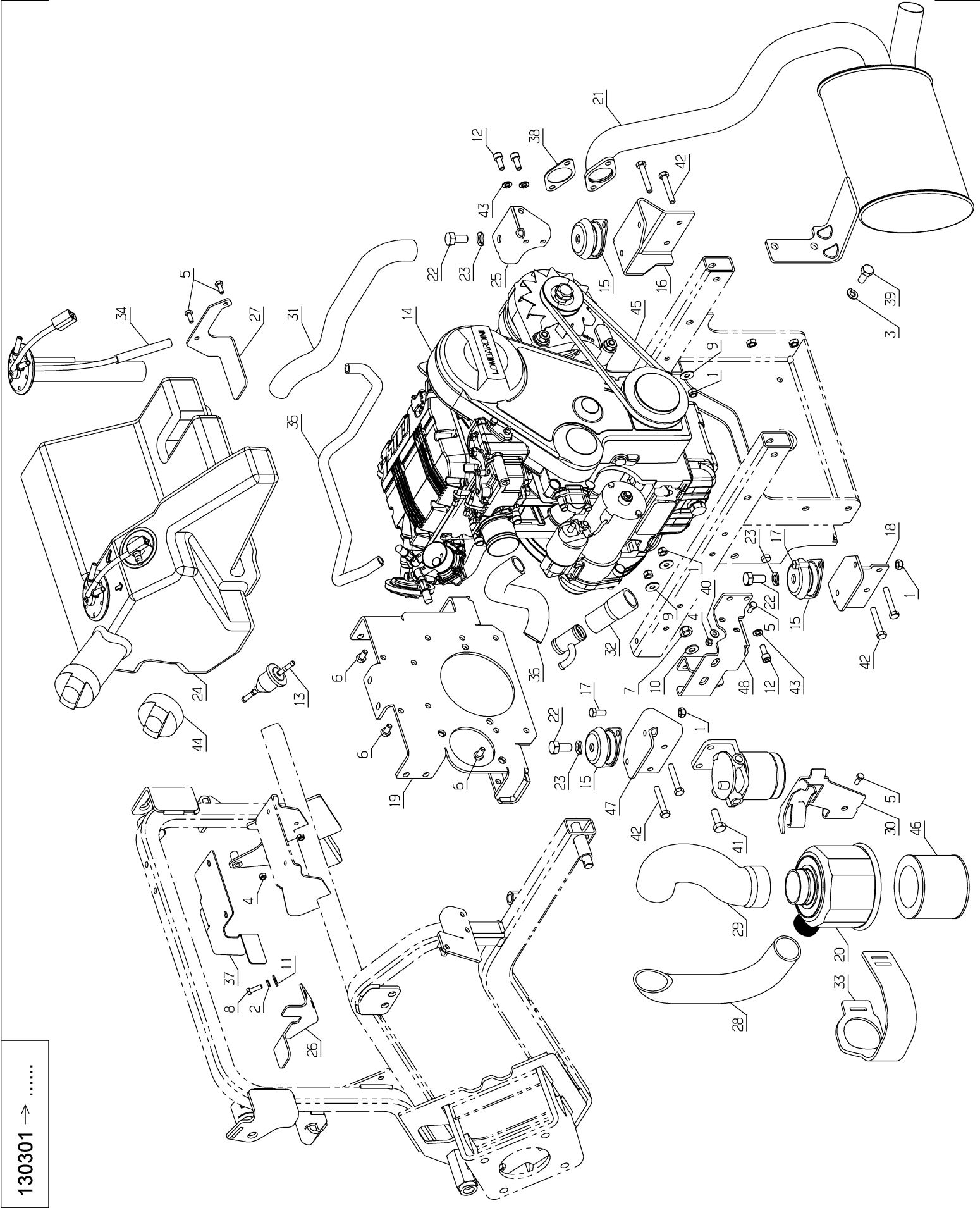






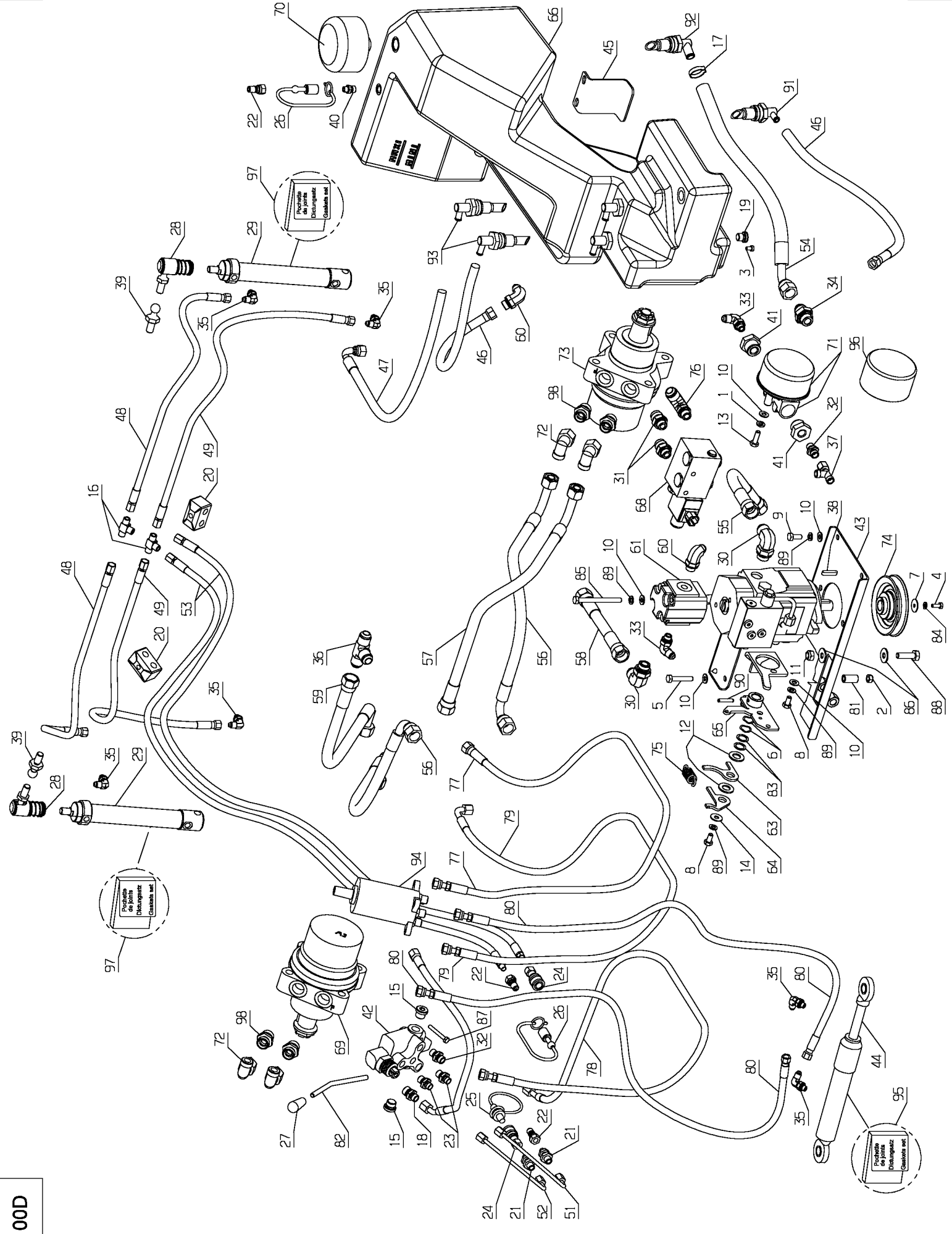
# PLO1124

| Rep | Réf<br>ETESIA | F                    | D                     | E                   |
|-----|---------------|----------------------|-----------------------|---------------------|
| 1   | 2021          | ECR.AUTOFR.HM8 DIN   | STOPMUTTER HM 8 DIN   | NUT HM8             |
| 2   | 2233          | RONDELLE M 6 FZA ST  | FAESCHERSCHEIBE 6,4   | WASHER              |
| 3   | 2244          | RDLE GROWER A10      | FEDERSCHEIBE A10      | WASHER A10          |
| 4   | 5232          | ECR.AUTOFR.HM6 DIN   | STOPMUTTER HM 6 DIN   | SELF-LOCKING NUT    |
| 5   | 5334          | VIS H M 6X16 DIN933  | SCHRAUBE HM6X16       | SCREW HM6X16        |
| 6   | 6169          | VIS HM 8X16 DIN 93   | SECHSKANTSCH.HM8X16   | SCREW HM8X16        |
| 7   | 9017          | ECR.AUTOFR.HM10 DIN  | MUTTER HM10 DI        | NUT HM10            |
| 8   | 20507         | VIS HM 6 X 20        | SECHSKANT.HM 6X20     | BOLT HM 6X20        |
| 9   | 20521         | RONDELLE L 8N        | SCHEIBE               | WASHER              |
| 10  | 21036         | RDLE PL.A 10,5 DIN1  | BEILAGSCHEIBE 10.5    | FLAT WASHER 10.5    |
| 11  | 21270         | RDLE PL.B 6,4        | SCHEIBE 6,4           | WASHER 6,4          |
| 12  | 22011         | VIS CHC M 8X20       | SCHRAUBE M 8X20       | BOLT M 8X20         |
| 13  | 25266         | FILTRE A ESSENCE     | FILTER FUEL           | FILTER FUEL         |
| 14  | 31001         | MOTEUR LOMB.LDW 702  | MOTOR LOMB.LDW 702    | ENGINE LOMB.LDW 702 |
| 15  | 31007         | SUPPORT PLOT AV.G    | VORD.L.KLOTZHALTER.   | FRONT L.BLOCK BRACK |
| 16  | 31008         | SUPPORT PLOT AV.D    | VORD.R.KLOTZHALTER.   | FR.RG.BLOCK BRACKET |
| 17  | 31014         | SUPPORT PLOT ARR.D.  | HINT.R.KLOTZHALTER.   | REAR RG BLOCK BRACK |
| 18  | 31016         | RONDELLE ELASTIQUE   | ELASTISCHE SCHEIBE    | ELASTIC WASHER      |
| 19  | 31023         | SUPPORT DEMARREUR    | ANLASSER HALTERUNG    | STARTER BRACKET     |
| 20  | 31037         | FILTRE À AIR         | LUFTFILTER            | AIR FILTER          |
| 21  | 31043         | POT D'ECHAPPEMENT    | AUSPUFF               | MUFFLER             |
| 22  | 31044         | PLOT ELASTIQUE       | ELASTISCHER KLOTZ     | ELASTIC BLOCK       |
| 23  | 31058         | SUPPORT D.MOTEUR     | MOTOR HALTERG RECHT   | R. ENGINE BRACKET   |
| 24  | 31100         | RESERVOIR CARBURANT  | KRAFTSTOFF TANK       | FUEL TANK           |
| 25  | 31254         | SUPPORT MOTEUR G.    | LINKE MOTOR HALTERG   | LEFT ENGINE BRACKET |
| 26  | 31260         | SUPP.RESERV.CARBUR.  | KRAFSTOFFTANK HALT.   | FUEL TANK BRACKET   |
| 27  | 31267         | TOLE SUPP.RES.CARB.  | KRAFTSTOFFTANK HALT   | FUEL TANK BRACKET   |
| 28  | 31305         | DURIT ASPI.AIR       | LUFT SCHLAUCH         | AIR HOSE            |
| 29  | 31306         | DURIT AIR FILTR.MOT  | LUFTSCHLAUCH          | AIR HOSE            |
| 30  | 31311         | TOLE SUPPORT FILTRE  | FILTER HALTERUNG      | FILTER BRACKET      |
| 31  | 31315         | DURIT EAU            | WASSERSCHLAUCH        | WATER HOSE          |
| 32  | 31316         | DURIT RADIATEUR      | KÜHLER SCHLAUCH       | RADIATOR HOSE       |
| 33  | 31338         | ATTACHE FILTRE       | FILTER HALTERUNG      | FILTER FIXING       |
| 34  | 31410         |                      |                       |                     |
| 35  | 31495         | CAPOT MOTEUR         | MOTOR HAUBE           | ENGINE COVER        |
| 36  | 31496         | DURIT RADIATEUR ARR  | KÜHLERSCHLAUCH HINT   | REAR RADIATOR HOSE  |
| 37  | 35404         | TOLE BLOC.RES.CARB.  | DIESEL TANK HALTERG   | FUEL TANK BRACKET   |
| 38  | 42631         | RLE D'APPUI HDC      | SCHEIBE               | CUT. HEIGHT WASHER  |
| 39  | 70086         | VIS H M10X25 DIN933  | SECHSKANTSCHRAUBE H   | HEXAGON SCREW,DIN 9 |
| 40  | 71075         | RDLE PL.M 6N         | SCHEIBE               | WASHER              |
| 41  | 71110         | VIS HM 10X30         | SECHSKANTSCHRAUBE H   | HEXAGON SCREW,DIN 9 |
| 42  | 71223         | VIS H M8X50 DIN933   | SCHRAUBE M8X50        | SCREW M8X50         |
| 43  | 71343         | RDLE GROWER A8       | FEDERSCHEIBE A8       | SPRING WASHER A8    |
| 44  | 29934         | BOUCH.RES.GAS-OIL    | EINFULLVERSCHLUSS     | TANK CAP            |
| 45  | 34011         | COURROIE ALTERNATEUR | WECHSELSTROMGE.RIEMEN | ALTERNATOR BELT     |
| 46  | 40216         | CARTOUCHE            | FIL TEREINSATZ        | FILTER CARTRIDGE    |



# PL01310

| Rep | Réf<br>ETESIA | F                     | D                        | E                   |
|-----|---------------|-----------------------|--------------------------|---------------------|
| 1   | 2021          | ECR.AUTOFR.HM8 DIN    | STOPMUTTER HM 8 DIN      | NUT HM8             |
| 2   | 2233          | RONDELLE M 6 FZA ST   | FAESCHERSCHEIBE 6,4      | WASHER              |
| 3   | 2244          | RDLE GROWER A10       | FEDERSCHEIBE A10         | WASHER A10          |
| 4   | 5232          | ECR.AUTOFR.HM6 DIN    | STOPMUTTER HM 6 DIN      | SELF-LOCKING NUT    |
| 5   | 5334          | VIS H M 6X16 DIN933   | SCHRAUBE HM6X16          | SCREW HM6X16        |
| 6   | 6169          | VIS HM 8X16 DIN 93    | SECHSKANTSCH.HM8X16      | SCREW HM8X16        |
| 7   | 9017          | ECR.AUTOFR.HM10 DIN   | MUTTER HM10 DI           | NUT HM10            |
| 8   | 20507         | VIS HM 6 X 20         | SECHSKANT.HM 6X20        | BOLT HM 6X20        |
| 9   | 20521         | RONDELLE L 8N         | SCHEIBE                  | WASHER              |
| 10  | 21036         | RDLE PL.A 10,5 DIN1   | BEILAGSCHEIBE 10.5       | FLAT WASHER 10.5    |
| 11  | 21270         | RDLE PL.B 6,4         | SCHEIBE 6,4              | WASHER 6,4          |
| 12  | 22011         | VIS CHC M 8X20        | SCHRAUBE M 8X20          | BOLT M 8X20         |
| 13  | 25266         | FILTRE A ESSENCE      | FILTER FUEL              | FILTER FUEL         |
| 14  | 31001         | MOTEUR LOMB.LDW 702   | MOTOR LOMB.LDW 702       | ENGINE LOMB.LDW 702 |
| 15  | 32324         | PLOT MOTEUR           | MOTOFEDERUNSKLOTZ        | ENGINE SUSPENS.PIN  |
| 16  | 35852         | SUPPORT PLOT AV. G.   | LINKE VORDERE HALTERUNG  | LEFT FRONT BRACKET  |
| 17  | 7334          | VIS H M 8X20 DIN933   | SECHSKANTSCHRAUBE H      | HEXAGON SCREW,DIN 9 |
| 18  | 35872         | SUPPORT PLOT AV. D.   | RECHTE VORDERE HALTERUNG | RIGHT FRONT BRACKET |
| 19  | 35845         | SUPPORT DEMARREUR     | ANLASSER HALTERUNG       | STARTER BRACKET     |
| 20  | 31037         | FILTRE À AIR          | LUFTFILTER               | AIR FILTER          |
| 21  | 31043         | POT D'ECHAPPEMENT     | AUSPUFF                  | MUFFLER             |
| 22  | 71324         | VIS H M12-25,8,8      | SCHRAUBE M12X25 8,8      | H.SCREW M12X25 8,8  |
| 23  | 71325         | RDLE GROWER A12       | FEDERSCHEIBE A12         | SPRING WASHER A12   |
| 24  | 31100         | RESERVOIR CARBURANT   | KRAFTSTOFF TANK          | FUEL TANK           |
| 25  | 35850         | SUPPORT MOTEUR GAUCHE | LINKE HALTERUNG          | LEFT BRACKET        |
| 26  | 31260         | SUPP.RESERV.CARBUR.   | KRAFSTOFFTANK HALT.      | FUEL TANK BRACKET   |
| 27  | 31267         | TOLE SUPP.RES.CARB.   | KRAFTSTOFFTANK HALT      | FUEL TANK BRACKET   |
| 28  | 31305         | DURIT ASPI.AIR        | LUFT SCHLAUCH            | AIR HOSE            |
| 29  | 31306         | DURIT AIR FILTR.MOT   | LUFTSCHLAUCH             | AIR HOSE            |
| 30  | 31311         | TOLE SUPPORT FILTRE   | FILTER HALTERUNG         | FILTER BRACKET      |
| 31  | 31315         | DURIT EAU             | WASSERSCHLAUCH           | WATER HOSE          |
| 32  | 31316         | DURIT RADIATEUR       | KÜHLER SCHLAUCH          | RADIATOR HOSE       |
| 33  | 31338         | ATTACHE FILTRE        | FILTER HALTERUNG         | FILTER FIXING       |
| 34  | 31410         | JAUGE CARBURANT       | TANKUHR                  | FUEL GAUGE          |
| 35  | 31495         | DURIT REFOULEMENT     | SCHLAUCH                 | HOSE                |
| 36  | 31496         | DURIT RADIATEUR ARR   | KÜHLERSCHLAUCH HINT      | REAR RADIATOR HOSE  |
| 37  | 35404         | TOLE BLOC.RES.CARB.   | DIESEL TANK HALTERG      | FUEL TANK BRACKET   |
| 38  | 29850         | JOINT ECHAPP.FOCS     | AUSPUFFDICHTG FOCS       | FOCS EXHAUST GASKET |
| 39  | 70086         | VIS H M10X25 DIN933   | SECHSKANTSCHRAUBE H      | HEXAGON SCREW,DIN 9 |
| 40  | 71075         | RDLE PL.M 6N          | SCHEIBE                  | WASHER              |
| 41  | 71110         | VIS HM 10X30          | SECHSKANTSCHRAUBE H      | HEXAGON SCREW,DIN 9 |
| 42  | 71223         | VIS H M8X50 DIN933    | SCHRAUBE M8X50           | SCREW M8X50         |
| 43  | 71343         | RDLE GROWER A8        | FEDERSCHEIBE A8          | SPRING WASHER A8    |
| 44  | 29934         | BOUCH.RES.GAS-OIL     | EINFULLVERSCHLUSS        | TANK CAP            |
| 45  | 34011         | COURROIE ALTERNATEUR  | WECHSELSTROMGE.RIEMEN    | ALTERNATOR BELT     |
| 46  | 40216         | CARTOUCHE             | FIL TEREINSATZ           | FILTER CARTRIDGE    |
| 47  | 35914         | SUPPORT ARRIERE DROIT | RECHTE HINTERE HALTERUNG | RIGHT REAR BRACKET  |
| 48  | 35851         | SUPPORT MOTEUR DROIT  | RECHTE HALTERUNG         | RIGHT BRACKET       |



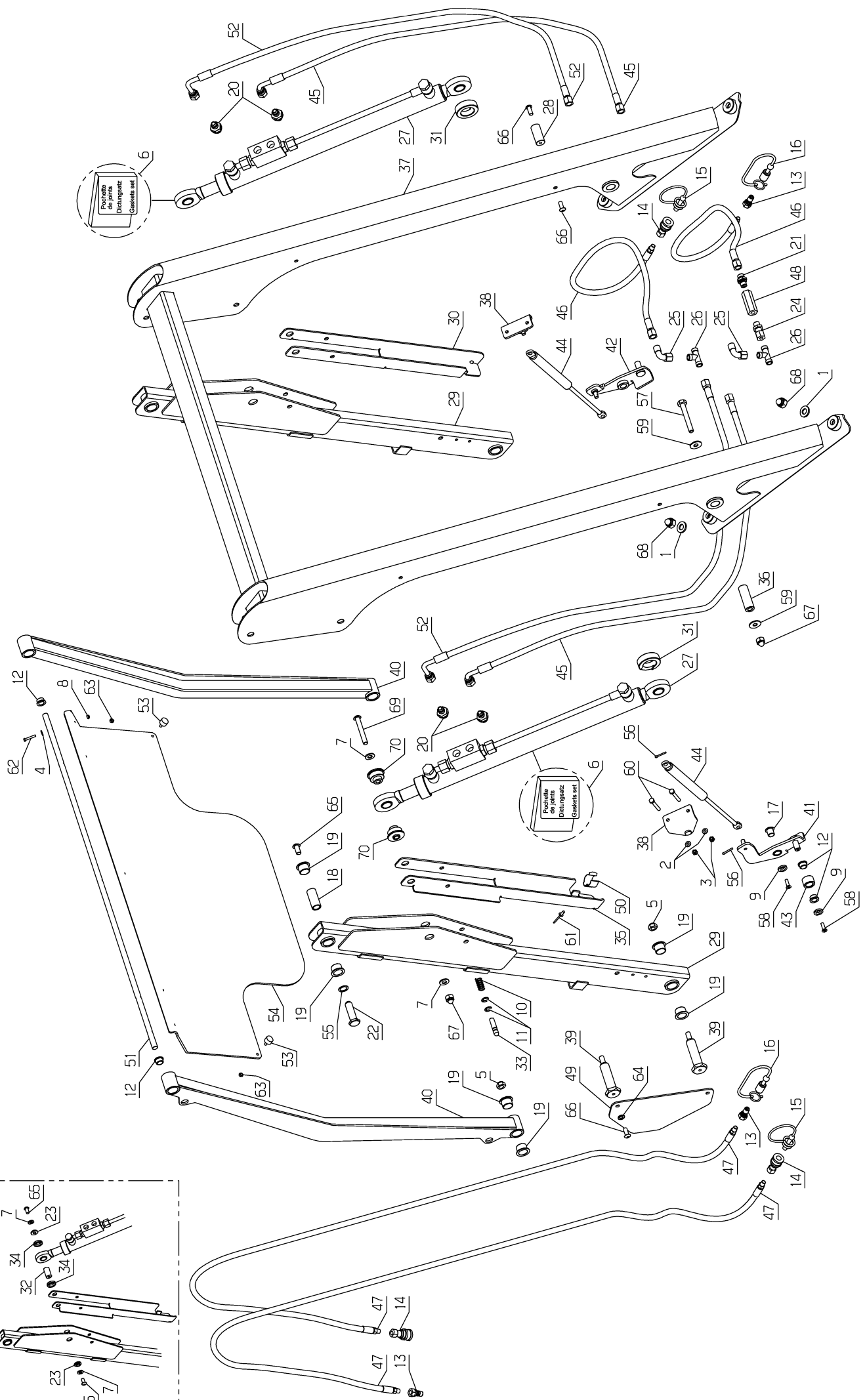
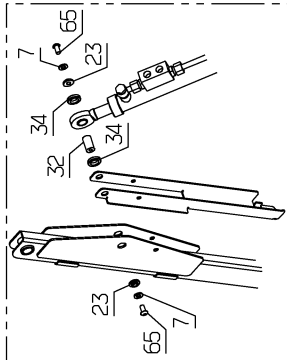
## PLO1126

| Rep | Réf<br>ETESIA | F                   | D                   | E                   |
|-----|---------------|---------------------|---------------------|---------------------|
| 1   | 2017          | RDLE EVENT.A8,2 679 | FAECHERSCHEIBE A8.2 | SERRATED LOCK WASHE |
| 2   | 2021          | ECR.AUTOFR.HM8 DIN  | STOPMUTTER HM 8 DIN | NUT HM8             |
| 3   | 5020          | VIS CHC M6X10 7984  | CHC M6X10 SCREW     | CHC M6X10 SCREW     |
| 4   | 5334          | VIS H M 6X16 DIN933 | SCHRAUBE HM6X16     | SCREW HM6X16        |
| 5   | 5340          | VIS H M 8X45 DIN933 | HEXAGON SCREW DIN 9 | HEXAGON SCREW,DIN 9 |
| 6   | 5411          | RONDELLE            | SCHEIBE             | WASHER              |
| 7   | 5604          | RONDELLE PLATE LL6N | SCHEIBE LL 6N       | WASHER              |
| 8   | 6169          | VIS HM 8X16 DIN 93  | SECHSKANTSCH.HM8X16 | SCREW HM8X16        |
| 9   | 7334          | VIS H M 8X20 DIN933 | SECHSKANTSCHRAUBE H | HEXAGON SCREW,DIN 9 |
| 10  | 7335          | RDLE PL.A 8,4DIN12  | SCHEIBE A 8,4       | WASHER              |
| 11  | 9017          | ECR.AUTOFR.HM10 DIN | MUTTER HM10 DI      | NUT HM10            |
| 12  | 9034          | RDLE NYLON          | K.SCHEI.15,2X28X2,5 | NYLON WASHER        |
| 13  | 9056          | VIS H M 8X25 DIN933 | SCHRAUBE 8X25       | BOLT 8X25           |
| 14  | 20521         | RONDELLE L 8N       | SCHEIBE             | WASHER              |
| 15  | 27021         | BOUCHON DISTRI.3/8" | VERTEILERKAPPE 3/8" | DISTRIB. PLUG 3/8"  |
| 16  | 27022         | RACCORD EN T        | VERBINDUNGSSTÜCK T  | T CONNECTION        |
| 17  | 25007         | COLLIER 16/27       | SCHELLE 16/27       | COLLAR 16/27        |
| 18  | 27097         | UNION 3/8"-14X150   | VERBINDUNG          | UNION 3/8"-14X150   |
| 19  | 27098         | BOUCHON DISTRI 1/4  | VERTEILERVERSCHLUSS | DISTRIB.PLUG 1/4    |
| 20  | 27111         | FIXATION DBLE 13    | DOPPELROHR BEFESTIG | HOLDER              |
| 21  | 27115         | UNION PASSE-CLOISON | VERBINDUNG 1/8      | UNION PIECE         |
| 22  | 27116         | COUPLEUR MALE 1/8   | KOPPLER 1/8         | MALE COUPLER 1/8    |
| 23  | 27120         | UNION 1/4"-12X150   | VERBINDUNG 1/4      | UNION 1/4"-12X150   |
| 24  | 27122         | COUPLEUR FEMELL.1/8 | KUPPLUNG 1/8        | FEMALE COUPLER 1/8  |
| 25  | 27125         | BOUCHON COUPLEUR    | KOPPLER STOPFER     | COUPLER CAP         |
| 26  | 27126         | CAPUCHON COUPLEUR   | KOPPLER KAPPE       | COUPLER HOOD        |
| 27  | 27131         | POMMEAU LEVIER DIST | VERTEILERHEBELKNOPF | DISTRIB. LEVER HAND |
| 28  | 29378         | ROTULE A ANGLE      | WINKEL KUGELGELENK  | ANGLE KNUCKLE       |
| 29  | 29400         | VERIN VID.PANIER    | ENTLEERUNGSZYLINDER | G.BOX EMPTYING JACK |
| 30  | 29450         | ADAPTATEUR CJM      | ADAPTER CJM         | ADAPTER CJM         |
| 31  | 29459         | ADAPTATEUR AJM      | ADAPTER AJM         | ADAPTER AJM         |
| 32  | 29462         | ADAPTATEUR UMA      | ADAPTER UMA         | ADAPTER UMA         |
| 33  | 29464         | ADAPTATEUR CJM      | ADAPTER CJM         | ADAPTER CJM         |
| 34  | 29466         | ADAPTATEUR AJM      | ADAPTER AJM         | ADAPTER AJM         |
| 35  | 29468         | ADAPTATEUR CJM      | ADAPTER CJM         | ADAPTER CJM         |
| 36  | 29470         | ADAPTATEUR HJM      | ADAPTER HJM         | ADAPTER HJM         |
| 37  | 29471         | ADAPTATEUR TELAR    | TELAR ADAPTER       | TELAR ADAPTER       |
| 38  | 34069         | CLAVETTE 6x6x32     | KEIL 6x6x32         | KEY 6x6x32          |
| 39  | 29929         | EMBOUT MALE DIA.12  | EINSTECKMUFFE       | MALE NIPPLE DIA 12  |
| 40  | 29962         | UNION 6L 1/8        | VERBINDUNG 6L 1/8   | UNION 6L 1/8        |
| 41  | 30110         | REDUCTION G3/4 G1/4 | REDUZ.STÜ.G3/4 G1/4 | REDUCER G 3/4 G1/4  |
| 42  | 30680         | DISTRIBUTEUR BM20/1 | VERTEILER MB20/1    | DISTRIBUTOR BM20/1  |
| 43  | 31077         | TOLE SUPP. POMPE    | PUMPE HALTERUNG     | PUMP BRACKET        |
| 44  | 31234         | VERIN DE DIRECTION  | LENKUNGS ZYLINDER   | STEERING CYLINDER   |
| 45  | 31256         | TOLE SUPP.RES.HYDRO | HYD.TANK HALTERUNG  | HYD. TANK BRACKET   |
| 46  | 31600         | FLEX.ASP.DRAIN POMP | SCHLAUCH            | HOSE                |
| 47  | 31601         | FLEX.RETOUR RESERV. | SCHLAUCH            | HOSE                |
| 48  | 31604         | FLEX.TIGE PAN.VERIN | SCHLAUCH            | HOSE                |

|    |       |                     |                     |                     |
|----|-------|---------------------|---------------------|---------------------|
| 49 | 31605 | FLEX.PIST.PAN.VERIN | SCHLAUCH            | HOSE                |
| 50 | 31612 | FLEX.RETOUR DISTRI. | SCHLAUCH            | HOSE                |
| 51 | 31613 | TUBE VIDANGE TIGE   | ROHR                | TUBE                |
| 52 | 31614 | TUBE VIDANGE PISTON | ROHR                | TUBE                |
| 53 | 31615 | FLEX.TE PANIER      | SCHLAUCH            | HOSE                |
| 54 | 31618 | FLEX.ASPI. POMPE TA | SCHLAUCH            | HOSE                |
| 55 | 31619 | FLEX.POMPE TA DIVIS | SCHLAUCH            | HOSE                |
| 56 | 31620 | FLEX.DIVISEUR MOT.  | SCHLAUCH            | HOSE                |
| 57 | 31621 | FLEXIBLE MOTEUR TE  | SCHLAUCH            | HOSE                |
| 58 | 31622 | FLEXIBLE TE POMPE   | SCHLAUCH            | HOSE                |
| 59 | 31628 | FLEX.MOTEUR TE D    | SCHLAUCH            | HOSE                |
| 60 | 31635 | ADAPTATEUR          | ADAPTER             | ADAPTER             |
| 61 | 31639 | POMPE ANNEXE        | PUMPE               | PUMP                |
| 62 | 31643 | REGLAGE POINT NEUTR | NUL PUNKT EINSTELG  | DEAD POINT ADJUST.  |
| 63 | 31644 | BIELLETTE NEUTRE AV | PLEUELSTANGE        | ROD                 |
| 64 | 31645 | BIELLE.NEUTRE REcul | PLEUELSTANGE        | ROD                 |
| 65 | 31646 | BIELLETTE POMPE     | PUMPE PLEUELSTANGE  | PUMP ROD            |
| 66 | 31649 | RESER.HYDRAULIQUE   | HYD. TANK           | HYD. TANK           |
| 67 | 31650 | POMPE TA            | ANTRIEBSPUMPE       | TRANSMISSION PUMP   |
| 68 | 31651 | DIVISEUR DE DEBIT   | VERTEILER           | FLOW DIVIDER        |
| 69 | 31652 | MOTEUR ROUE DROIT   | RECHTER RADMOTOR    | RIGHT WHEEL ENGINE  |
| 70 | 31654 | FILTRE A AIR        | LUFT FILTER         | AIR FILTER          |
| 71 | 31655 | FILTRE RETOUR       | RÜCKLAUFFILTER      | RETURN FILTER       |
| 72 | 35406 |                     |                     |                     |
| 73 | 31657 | MOTEUR ROUE GAUCHE  | LINKER RADMOTOR     | LEFT WHEEL ENGINE   |
| 74 | 31658 | POULIE POMPE        | SCHEIBE             | PULLEY              |
| 75 | 31659 | RESSORT DE RAPPEL   | FEDER               | SPRING              |
| 76 | 31660 | ADAPTATEUR          | ADAPTER             | ADAPTER             |
| 77 | 31690 | FLEX.ORBTR.P POMPE  | SCHLAUCH            | HOSE                |
| 78 | 31691 | FLEX.ORBTR.E DIST.  | SCHLAUCH            | HOSE                |
| 79 | 31692 | FLEX.ORBTR.T FILTR  | SCHLAUCH            | HOSE                |
| 80 | 31693 | FLEX.ORBTR.RL VERI  | SCHLAUCH            | HOSE                |
| 81 | 31694 | ENTRETETOISE        | BÜCHSE              | SPACER              |
| 82 | 35175 | LEVIER COMMANDE     | BEDIENUNGSHEBEL     | CONTROL LEVER       |
| 83 | 71016 | RDLE 16X22X1 DIN988 | SCHEIBE 16X22X1     | WASHER 16X22X1      |
| 84 | 71049 | RDLE GROWER A6      | FEDERRING A6 DIN 12 | SPRING WASHER,DIN 1 |
| 85 | 71199 | VIS HM 8X90         | SECHSKANTSCH.HM8X90 | SCREW HM8X90        |
| 86 | 71238 | RDLE PL. A 10,2     | BEILAGSCHEIBE A10,2 | WASHER A10,2        |
| 87 | 71239 | VIS HM 6-45 ZBL     | SECHSKANTSCH.HM6X45 | HEX.SCREW HM6X45    |
| 88 | 71242 | VIS HM 10-35 DROITE | SECHSKANTSCHRAUBE   | HEX.SCREW HM10X35   |
| 89 | 71343 | RDLE GROWER A8      | FEDERSCHEIBE A8     | SPRING WASHER A8    |
| 90 | 71390 | GOUPIL.ELASTIQ.5-30 | KERBSTIFT 5-30      | SPIRAL PIN 5-30     |
| 91 | 35258 | PIPETTE TUBE 10     | PIPETTE TUBE 10     | PIPETTE TUBE 10     |
| 92 | 35257 | PIPETTE TUBE 16     | PIPETTE TUBE 16     | PIPETTE TUBE 16     |
| 93 | 35260 | PIPETTE 2 TUBE 10   | PIPETTE 2 TUBE 10   | PIPETTE 2 TUBE 10   |
| 94 | 31233 | ORBITROL            | ORBITROL            | ORBITROL            |
| 95 | 31195 |                     |                     |                     |
| 96 | 29408 | FILTRE AIR RESERVOI | TANK LUFTFILTER     | TANK AIR FILTER     |
| 97 | 30457 | POCHET.JOINT V.PAN  | KBZYL.DICHTUNGSATZ  | GBX J.BAG OF GASKET |
| 98 | 35407 |                     |                     |                     |







# PLO1127

| Rep | Réf<br>ETESIA | F                   | D                   | E                   |
|-----|---------------|---------------------|---------------------|---------------------|
| 1   | 1560          | RDLE PL. 13X25X3    | SCHEIBE 13X25X3     | FLAT WASHER 13X25X3 |
| 2   | 7335          | RDLE PL.A 8,4DIN12  | SCHEIBE A 8,4       | WASHER              |
| 3   | 5232          | ECR.AUTOFR.HM6 DIN  | STOPMUTTER HM 6 DIN | SELF-LOCKING NUT    |
| 4   | 7094          | RDLE PL.B 4,3DIN90  | BEILAGSCHEIBE B 4,3 | FLAT WASHER         |
| 5   | 9017          | ECR.AUTOFR.HM10 DIN | MUTTER HM10 DI      | NUT HM10            |
| 6   | 31194         | POCHETTE DE JOINTS  | DICHTUNGSATZ        | GASKET SET          |
| 7   | 21036         | RDLE PL.A 10,5 DIN1 | BEILAGSCHEIBE 10.5  | FLAT WASHER 10.5    |
| 8   | 21525         | ECR.AUTOFR.HM4 DIN  | STOPMUTTER HM4      | NUT HM4             |
| 9   | 24132         | RONDELLE AXE ROUE   | RADACHSE SCHEIBE    | SHAFT WASHER        |
| 10  | 24647         | RESSORT CDE CFT     | FEDER               | SPRING              |
| 11  | 24684         | ANNEAU TRUARC 8 DI  | SICHERUNGSRING 8 DI | TRUARC RING         |
| 12  | 25564         | BAGUE PLASTIQUE     | LAGERBUCHSE 12 X 16 | 12X16X10 PLASTIC RI |
| 13  | 27116         | COUPLEUR MALE 1/8   | KOPPLER 1/8         | MALE COUPLER 1/8    |
| 14  | 27122         | COUPLEUR FEMELL.1/8 | KUPPLUNG 1/8        | FEMALE COUPLER 1/8  |
| 15  | 27125         | BOUCHON COUPLEUR    | KOPPLER STOPFER     | COUPLER CAP         |
| 16  | 27126         | CAPUCHON COUPLEUR   | KOPPLER KAPPE       | COUPLER HOOD        |
| 17  | 28555         | BAGUE SIC BB12-15   | SIC BUCHSE BB12-15  | SIC BUSH BB12-15    |
| 18  | 29350         | ENTRETOISE POTENCE  | BÜCHSE KORBTRAGSÄUL | G.BOX CRANE SPACER  |
| 19  | 29427         | BAGUE SIC           | SIC BÜCHSE          | BUSH SIC            |
| 20  | 29456         | ADAPTATEUR AJM      | ADAPTER AJM         | ADAPTER AJM         |
| 21  | 29462         | ADAPTATEUR UMA      | ADAPTER UMA         | ADAPTER UMA         |
| 22  | 29770         | AXE BRAS POTENCE    | TRÄGERARM BOLZEN    | CRANE ARM SHAFT     |
| 23  | 29781         | PIVOT BLOCAGE BAS   | UNTERES BLOCKIERGEL | LOWER LOCKING PIVOT |
| 24  | 30054         | ADAPT.GM 1/4" F8L   | ZWISCHENST.GM1/4"F8 | ADAPT.GM 1/4" F8L   |
| 25  | 30108         | RACCORD 8L 90°      | KUPPELSTÜCK 8L 90°  | CONNECTOR 8L 90°    |
| 26  | 30109         | RACCORD T EGAUX 8L  | KUPPELSTÜCK T 8L    | T CONNECTOR 8L      |
| 27  | 31191         | VERIN HYDRAULIQUE   | HYDR. ZYLINDER      | HYDR. CYLINDER      |
| 28  | 31219         | AXE POTENCE         | ACHSE HOCHTENTLER.  | HIGH LIFT BEAM AXLE |
| 29  | 31222         | BRAS RELEVAGE INF.  | UNTERER ENTLEER.ARM | LOWER LIFTER ARM    |
| 30  | 31248         | TOLE BLOCAGE GAUCHE | LINKER BLOCKIERARM  | LEFT BLOCKING ARM   |
| 31  | 31282         | ARRET VERIN         | ZYLINDER STOP       | CYLINDER STOP       |
| 32  | 31290         | AXE VERIN RELEVAGE  | ENTLEER.ZYLIN.ACHSE | CYLINDER AXLE       |
| 33  | 31291         | AXE BLOCAGE BRAS    | BLOCKIER.ARM ACHSE  | BLOCKING ARM AXLE   |
| 34  | 31292         | ENTRETOISE RELEVAGE | HOCHENTL. HÜLSE     | HIGH. SPACER        |
| 35  | 31247         | TOLE BLOCAGE DROIT  | RECHTER BLOCKIERARM | RIGHT BLOCKING ARM  |
| 36  | 31504         | BAGUE FIX.VERIN V.H | ZYLIND.BEFEST.RING  | CYLIND.FIXING RING  |
| 37  | 31510         | POTENCE             | HOCHENTLEER.TRÄGER  | HIGH LIFT BEAM      |
| 38  | 31533         | PATTE VERIN GAZ     | GAZ ZYLINDER PLATTE | GAS JACK PLATE      |
| 39  | 31541         | AXE BRAS PANIER     | KORB ARM ACHSE      | GRASBOX ARM AXLE    |
| 40  | 31546         | BRAS REL.SUP.       | OBERER ENTLEE.ARM   | UPPER ARM           |
| 41  | 31552         | BIELL.RACLEUR DROIT | BODENPLEUELSTANGE R | RIGHT BOTTOM ROD    |
| 42  | 31553         | BIELL.RACLEUR GAUCH | BODENPLEUELSTANGE L | LEFT BOTTOM ROD     |
| 43  | 31571         | ROULETTE            | LAUFROLLE           | SMALL WHEEL         |
| 44  | 31588         | VERIN A GAZ         | GAS ZYLINDER        | GAZ CYLINDER        |
| 45  | 31608         | FLEX.PISTON RELEV.  | SCHLAUCH            | HOSE                |
| 46  | 31616         | FLEX.TE RELEVAGE    | SCHLAUCH            | HOSE                |
| 47  | 31627         | FLEX POTENCE PANIER | SCHLAUCH            | HOSE                |
| 48  | 31633         | LIMITEUR DEBIT STF  | DRUCKBEGRENZER      | FLOW LIMITER        |

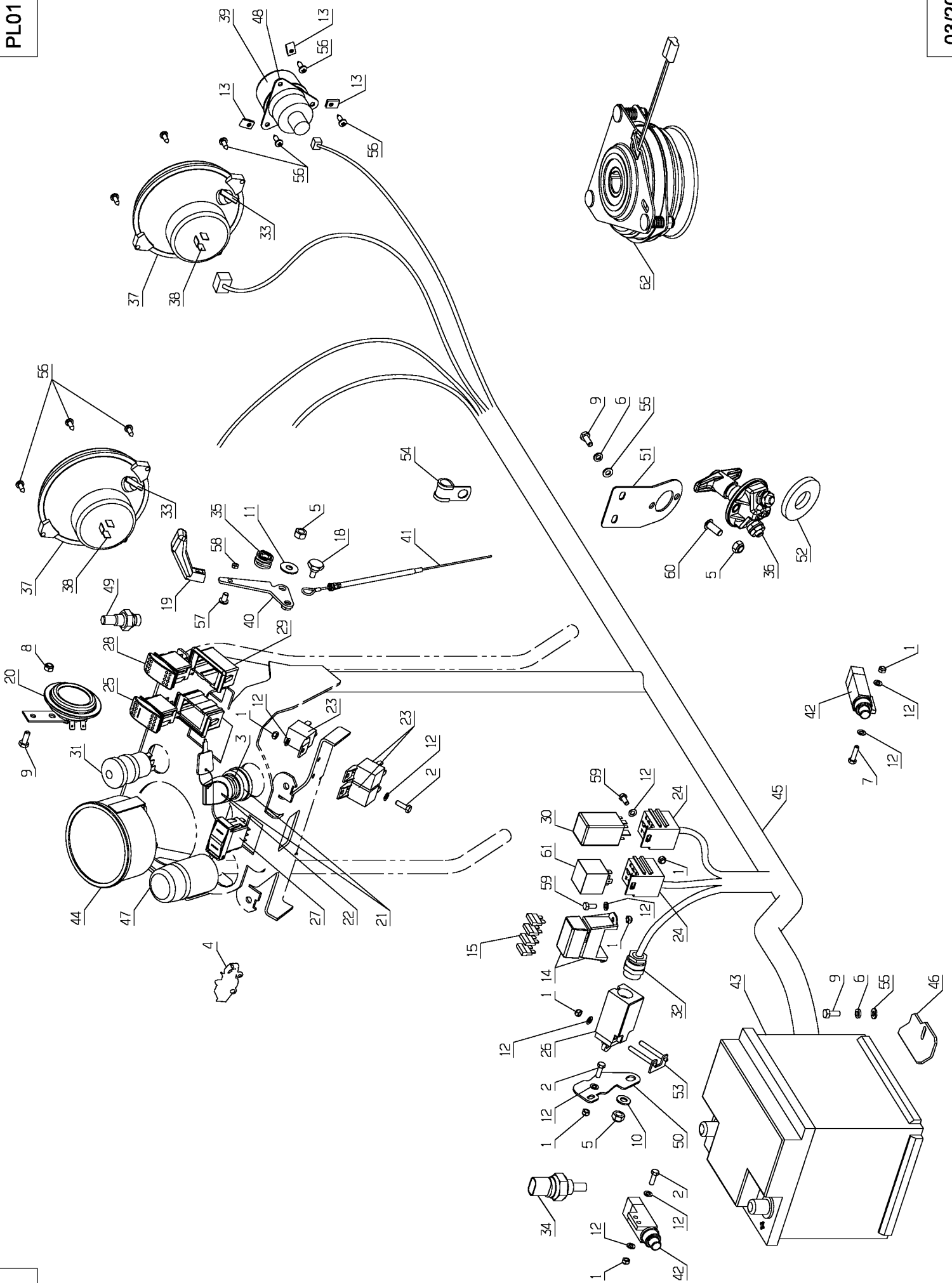
|    |       |                     |                     |                     |
|----|-------|---------------------|---------------------|---------------------|
| 49 | 31666 | PROTECTION FLEXIBLE | SCHLAUCH SCHUTZ     | HOSE PROTECTION     |
| 50 | 35064 | AGRAFE 26-30        | KLAMMER 26-30       | KLAMP 26-30         |
| 51 | 35192 | AXE BAVETTE         | LAPPEN ACHSE        | FLAPPER AXLE        |
| 52 | 35208 | FLEX TIGE RELEVAGE  | SCHLAUCH            | HOSE                |
| 53 | 35328 | BUTEE CAOUTCHOUC    | GUMMI ANSCHLAG      | RUBBER STOP         |
| 54 | 35487 | BAVETTE POLY        | LAPPEN              | FLAPPER             |
| 55 | 71016 | RDLE 16X22X1 DIN988 | SCHEIBE 16X22X1     | WASHER 16X22X1      |
| 56 | 71018 | GOUPILLE FENDUE V3, | SPLINTE V 3,2 X 18  | V3,2 SPLIT PIN      |
| 57 | 71032 | VIS H M 10X75       | SECHSKANTSCHRAUBE H | KAWA SCREW H M10X75 |
| 58 | 71108 | VIS TF CR M6X16     | KREUTZSCHLITZSENKSC | RECESSED HEAD SCREW |
| 59 | 71238 | RDLE PL. A 10,2     | BEILAGSCHEIBE A10,2 | WASHER A10,2        |
| 60 | 71239 | VIS HM 6-45 ZBL     | SECHSKANTSC.HM6X45  | HEX.SCREW HM6X45    |
| 61 | 71241 | RIVET 4,8X10,5      | NIETE 4,8X10,5      | NAIL RIVET 4,8X10,5 |
| 62 | 71283 | VIS M4-25,4.6       | SCHRAUBE M4-25,4.6  | SCREW M4-25,4.6     |
| 63 | 71308 | ECROU H FR M5,8     | STOPMUTTER M5       | LOCK NUT M5         |
| 64 | 71343 | RDLE GROWER A8      | FEDERSCHEIBE A8     | SPRING WASHER A8    |
| 65 | 71354 | VIS B HC M10-20     | SCHRAUBE BHC M10X20 | SCREW B HC M10X20   |
| 66 | 71373 | VIS B HC M8-20 ZBL  | SCHRAUBE M8X20      | SCREW M8X20         |
| 67 | 71374 | ECROU H M10 BORGNE  | HUTMUTTER M10       | CAP NUT M10         |
| 68 | 71375 | ECROU HM 12 BORGNE  | HUTMUTTER M12       | CAP NUT M12         |
| 69 | 35834 | VIS                 | SCHRAUBE            | SCREW               |
| 70 | 35835 | ENTRETOISE          | BÜCHSE              | SPACER              |





# PL01240

| Rep | Réf<br>ETESIA | F                   | D                   | E                   |
|-----|---------------|---------------------|---------------------|---------------------|
| 1   | 27021         | BOUCHON DISTRI.3/8" | VERTEILERKAPPE 3/8" | DISTRIB. PLUG 3/8"  |
| 2   | 27097         | UNION 3/8"-14X150   | VERBINDUNG          | UNION 3/8"-14X150   |
| 3   | 27115         | UNION PASSE-CLOISON | VERBINDUNG 1/8      | UNION PIECE         |
| 4   | 27116         | COUPLEUR MALE 1/8   | KOPPLER 1/8         | MALE COUPLER 1/8    |
| 5   | 27120         | UNION 1/4"-12X150   | VERBINDUNG 1/4      | UNION 1/4"-12X150   |
| 6   | 27122         | COUPLEUR FEMELL.1/8 | KUPPLUNG 1/8        | FEMALE COUPLER 1/8  |
| 7   | 27125         | BOUCHON COUPLEUR    | KOPPLER STOPFER     | COUPLER CAP         |
| 8   | 27126         | CAPUCHON COUPLEUR   | KOPPLER KAPPE       | COUPLER HOOD        |
| 9   | 27131         | POMMEAU LEVIER DIST | VERTEILERHEBELKNOPF | DISTRIB. LEVER HAND |
| 10  | 29462         | ADAPTATEUR UMA      | ADAPTER UMA         | ADAPTER UMA         |
| 11  | 31606         |                     |                     |                     |
| 12  | 31636         |                     |                     |                     |
| 13  | 35175         | LEVIER COMMANDE     | BEDIENUNGSHEBEL     | CONTROL LEVER       |



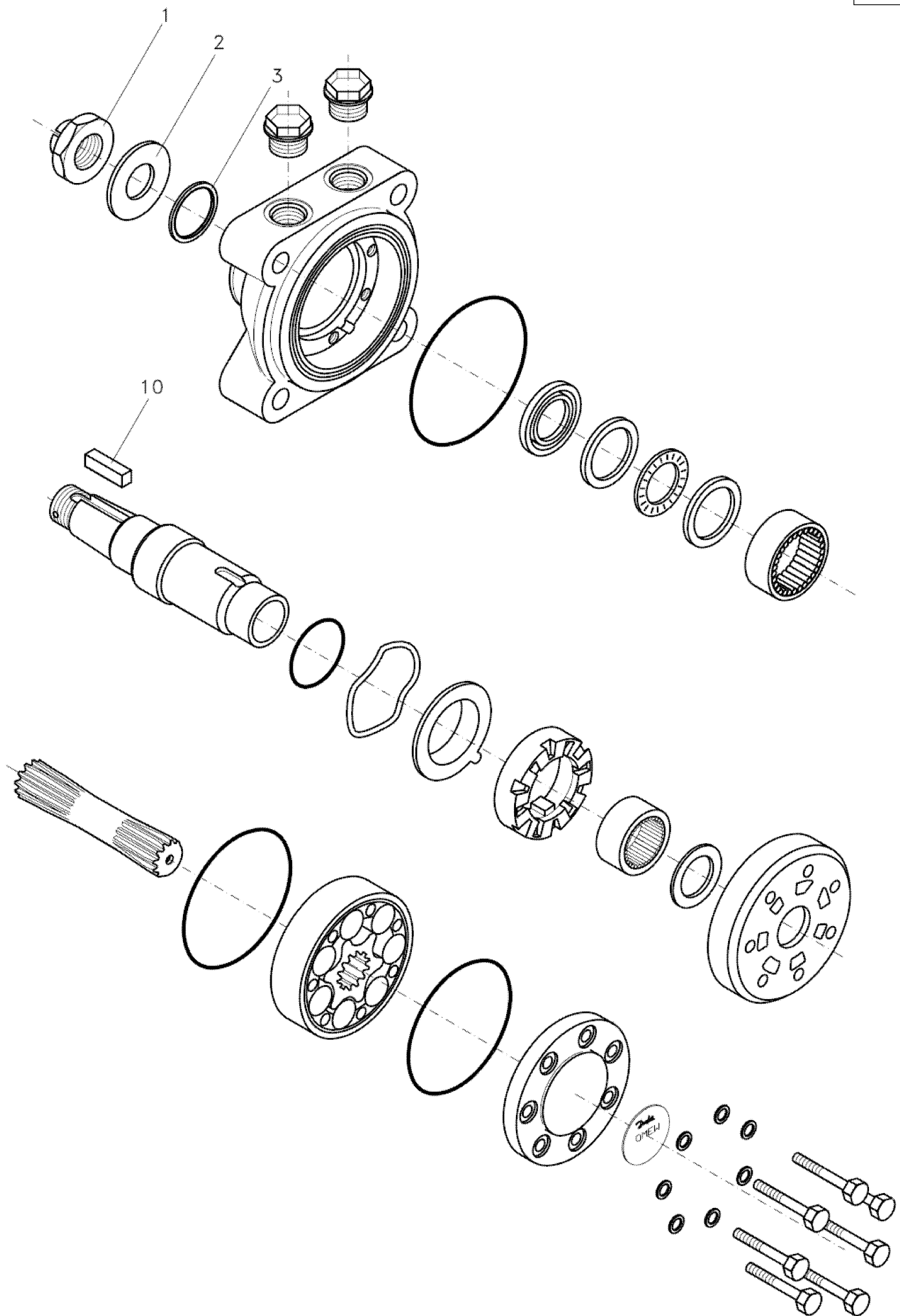


# PL01129

| Rep | Réf<br>ETESIA | F                   | D                   | E                   |
|-----|---------------|---------------------|---------------------|---------------------|
| 1   | 1607          | ECR.AUTOFR.HM5 DIN  | STOPMUTTER HM5      | NUT                 |
| 2   | 2009          | VIS M5 X 16         | SCHRAUBE M5 X 16    | BOLT M5X16          |
| 3   | 28382         | ENJOLIVEUR DE CLEF  | VERZIERT.ZÜNDSCHLOS | KEY CONTACT. EMBEL. |
| 4   | 32120         | PORTE CLE MVEHH     | MVEHH SCHLÜSSELHÄNG | MVEHH KEY HANGER    |
| 5   | 2021          | ECR.AUTOFR.HM8 DIN  | STOPMUTTER HM 8 DIN | NUT HM8             |
| 6   | 2233          | RONDELLE M 6 FZA ST | FAESCHERSCHEIBE 6,4 | WASHER              |
| 7   | 5071          | VIS HM 5X20         | SCHRAUBE HM5X20     | BOLT HM 5X20        |
| 8   | 5232          | ECR.AUTOFR.HM6 DIN  | STOPMUTTER HM 6 DIN | SELF-LOCKING NUT    |
| 9   | 5334          | VIS H M 6X16 DIN933 | SCHRAUBE HM6X16     | SCREW HM6X16        |
| 10  | 7335          | RDLE PL.A 8,4DIN12  | SCHEIBE A 8,4       | WASHER              |
| 11  | 20521         | RONDELLE L 8N       | SCHEIBE             | WASHER              |
| 12  | 20564         | RDELLE PLATE 5,5    | SCHEIBE 5,5         | WASHER              |
| 13  | 21436         | ECROU NUL 530       | CLIPSMUTTER         | CLIPS NUT           |
| 14  | 25803         | PORTE FUSIBLE       | SICHERUNGSTRAEGER   | PLUG FUSE HOLDER    |
| 15  | 25824         | FUSIBLE 20A 12V     | SICHERUNG 20A 12V   | FUSE 20A 12V        |
| 18  | 28137         | VIS EPAUL.LOQUET ZG | FÜHRUNG SZAPFEN     | CATCH BOLT SP.SCREW |
| 19  | 28177         | POIGNEE LEVIER GAZ  | GASHEBEL            | GAS GRIP            |
| 20  | 28209         | AVERTISSEUR SONORE  | HUPE                | ALARM               |
| 21  | 28384         | CONTACTEUR A CLEF   | ZÜNDSCHLOSS         | KEY CONTACTOR       |
| 22  | 28388         | CLEF                | ZÜNDSCHLÜSSEL       | KEY                 |
| 23  | 28392         | RELAIS INV.ETANCHE  | UMSCHALTREL.WASSERD | WATERPROOF RELAY    |
| 24  | 29241         |                     |                     |                     |
| 25  | 29253         | INTERRUPT.ON/OFF 1  | SCHALTER ON/OFF 1   | SWITCH ON/OFF 1     |
| 26  | 29258         | CONT.POSIT.         | POSIT.SCHALT        | POSIT.SWITCH        |
| 27  | 29260         | INTERR.ON/OFF/ON V. | SCHALTER ON/OFF/ONV | SWITCH ON/OFF/ON V  |
| 28  | 29261         | INTERR.ON/OFF/ON C2 | SCHALT.ON/OFF/ON C2 | SWITCH ON/OFF/ON C2 |
| 29  | 29273         | CHASSIS MONTAGE EXT | AUSSENRAHMEN        | EXT. FRAME          |
| 30  | 29484         | RELAIS PRECHAUFFAGE | VORWÄRMERELAIS      | PREFIRE RELAY       |
| 31  | 29624         | CENTR.FEUX DETRESSE | WARNBLINKER ZENTRAL | BLINKER UNIT        |
| 32  | 29789         | PRESSE ETOUPE       | KABELSTOPFBÜCHSE    | CONTACTOR GROMMET   |
| 33  | 30015         | AMPOULE FEUX POSIT. | STANDLIGHT GLÜHBIRN | STAND LIGHT AMP.    |
| 34  | 30017         | THERMO CONTACT      | THERMOSCHALTER      | THERMALCONTACT      |
| 35  | 30218         | PATIN CDE GAZ       | GASHEBEL KLOTZ      | THROTTLE CABLE PAD  |
| 36  | 30295         | COUPE BATTERIE      | BATTERIE SICHERUNG  | BATTERY FUSE        |
| 37  | 30599         | FEUX AVANT          | VORDER LICHT        | FRONT LIGHT         |
| 38  | 30638         | AMPOULE H4          | GLÜHBIRNE H4        | BULB H4             |
| 39  | 30695         | AMPOULE OR.CLIGNOT. | BLINKLICHT GLÜHBIRN | BLINKER BULB        |
| 40  | 31307         | LEVIER MANETTE GAZ  | GASKABEL HEBEL      | THROTTLE LEVER      |
| 41  | 31309         | CABLE GAZ BLSP/BLHP | GASKABEL BLSP/BLHP  | THROT.CABLE BLSP/HP |
| 42  | 31405         | CONTACT.POSITION    | SCHALTER            | SWITCH              |
| 43  | 31419         | BATTERIE H100D      | BATTERIE H100D      | BATTERY H100D       |
| 44  | 31422         | INSTRUMENT DIA 100  | INSTRUMENT DIA 100  | INSTRUMENT DIA 100  |
| 45  | 31431         | FAISCEAU ELECTRIQUE | ELEKTRISC.KABELBAUM | ELECTRICAL WIRING   |
| 46  | 31439         | EQUERR.BRID.BATTERI | BATTERI BEFESTIGUNG | BATTER.ANGL.BRACKET |
| 47  | 35405         |                     |                     |                     |
| 48  | 32215         | CLIGNOTANT          | BLINKLEUCHTE        | BLINKER             |
| 49  | 35052         | SONDE TEMP.EAU      | WASSER THERMOSCHALT | COLL.TEMP.SWITCH    |
| 50  | 35058         | TOLE CONTACT.P.MORT | OPUNKT SCHALT.PLATE | DEAD PT SWITCH PLAT |

|    |       |                     |                     |                     |
|----|-------|---------------------|---------------------|---------------------|
| 51 | 35059 | SUPP.COUBE BATTERIE | HALTERUNG           | BRACKET             |
| 52 | 35115 | MOUSS.COUBE BATTERI | ISOLIERUNG          | INSULATION FOAM     |
| 53 | 35213 | BRIDE FIXAT.CONTACT | SCHALTER BEFESTIGG  | SWITCH FIXING       |
| 54 | 35287 | COLLIER 13-12.5     | SHELLE 13-12,5      | COLLAR 13-12.5      |
| 55 | 71094 | RDLE PL.A 6,4       | SCHEIBE 6,4         | WASHER 6,4          |
| 56 | 71111 | VIS TOLE B4,8X16    | BLECHSCHRAUBE B4 8X | TAPPING SCREW,DIN 7 |
| 57 | 71224 | VIS POIG.GAZ 8-32'  | SCHRAUBE GASH.8-32" | GAS GRIP SCREW 8-32 |
| 58 | 71225 | ECROU POIG.GAZ 8-32 | MUTTER GASH. 8-32"  | GAS GRIP NUT 8-32"  |
| 59 | 71284 | VIS HM 5-12,8.8     | SCHRAUBE M5X12      | SCREW HM5X12        |
| 60 | 71373 | VIS B HC M8-20 ZBL  | SCHRAUBE M8X20      | SCREW M8X20         |
| 61 | 29563 | CENTRALE CLIGNOTANT | BLINKERZENTRALE     | BLINKER UNIT        |
| 62 | 31012 | EMBAYAGE ELECTRO.   | ELEK.KUPPLUNG       | ELEC. CLUTCH        |

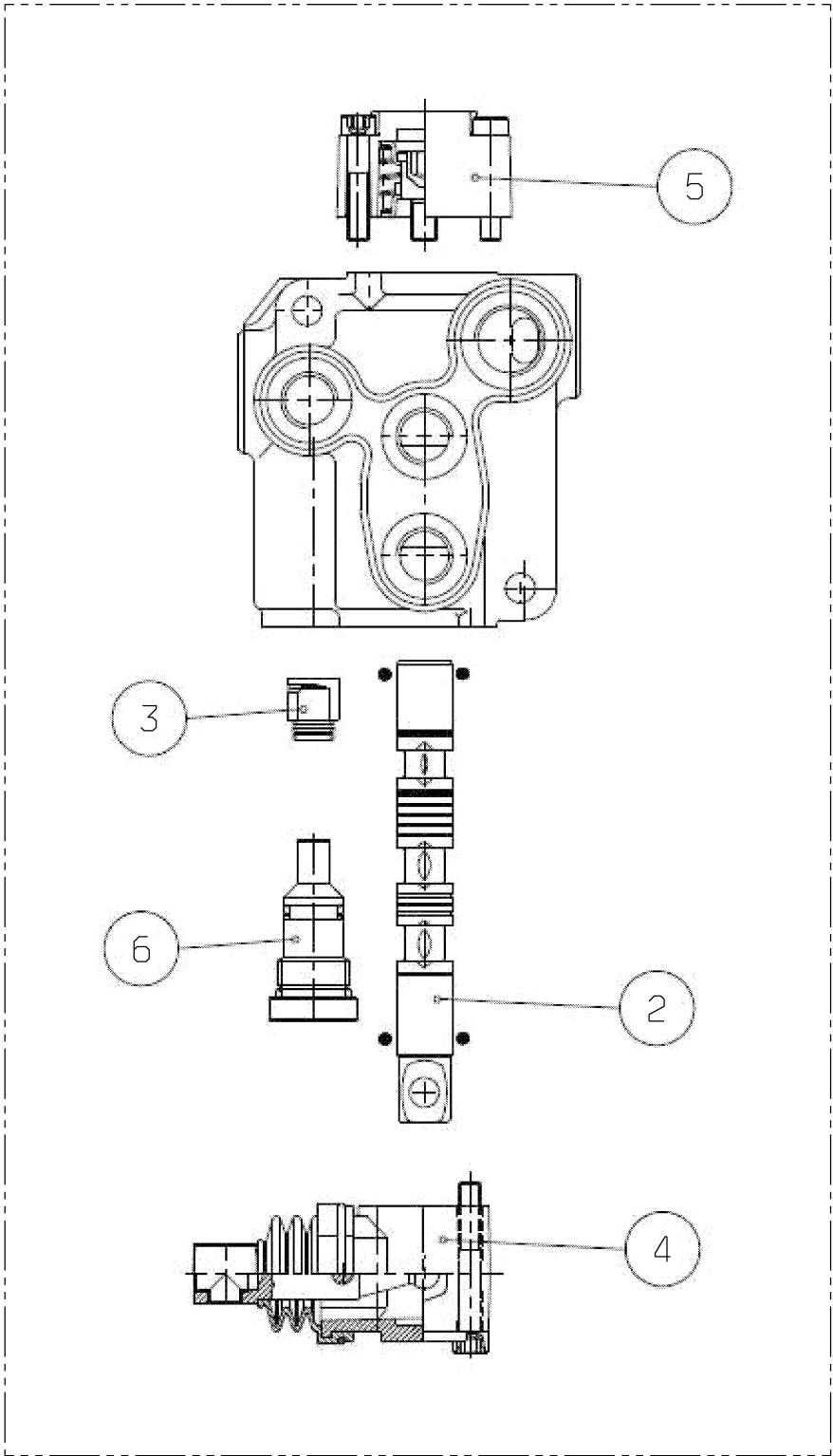




## PL01155

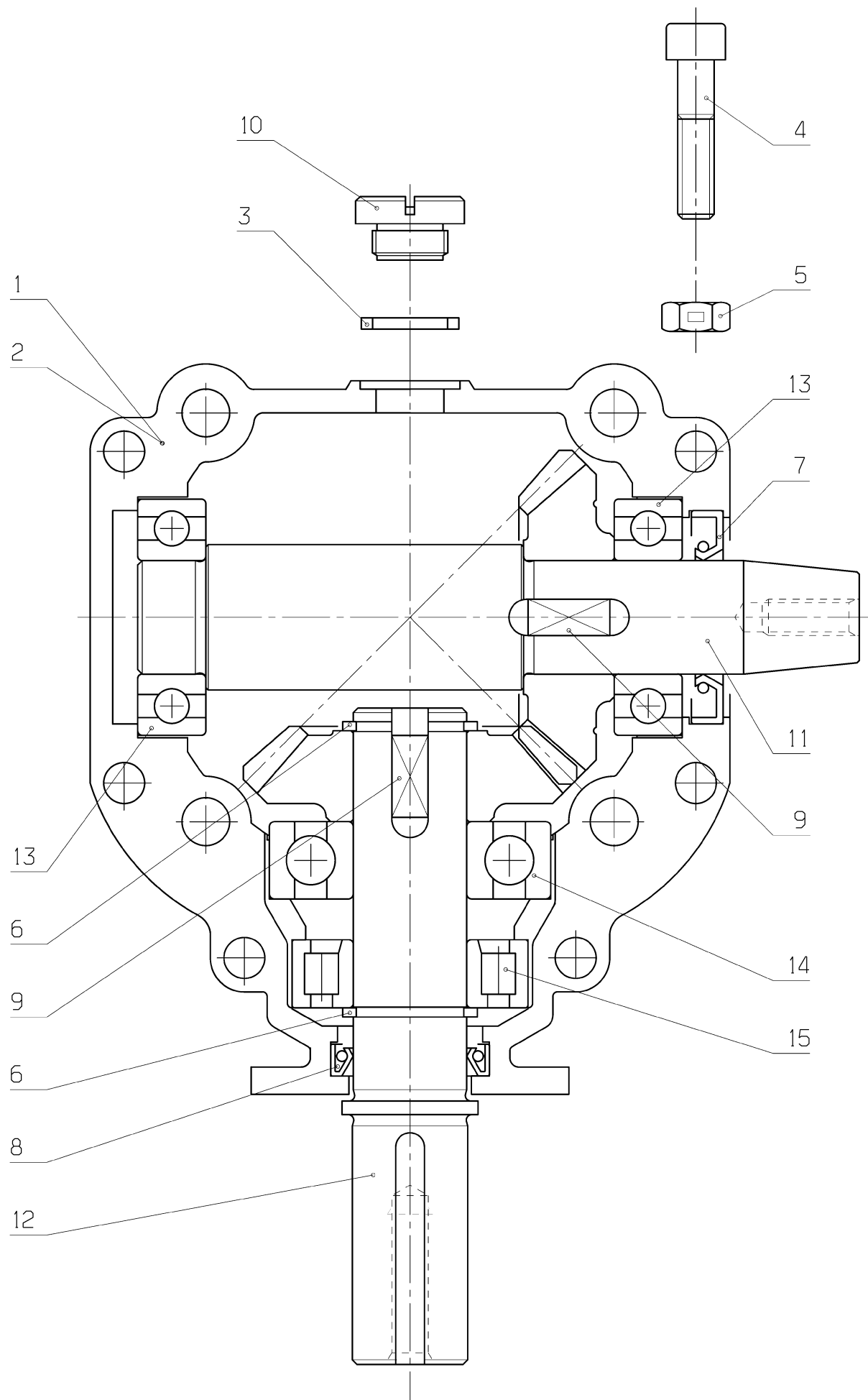
| Rep | Réf<br>ETESIA | F                    | D                  | E                   |
|-----|---------------|----------------------|--------------------|---------------------|
| 1   | 34047         | ECROU MOTEUR ROUE    | RADMOTOR MUTTER    | WHEEL ENGINE NUT    |
| 2   | 34048         | RONDELLE MOTEUR ROUE | RADMOTOR SCHEIBE   | WHEEL ENGINE WASHER |
| 3   | 34049         | JOINT 35x42x1,9      | DICHTUNG 35x42x1,9 | SEAL 35x42x1,9      |
| 10  | 34055         | CLAVETTE 6x6x20      | KEIL 6x6x20        | KEY 6x6x20          |

1



## PL01158

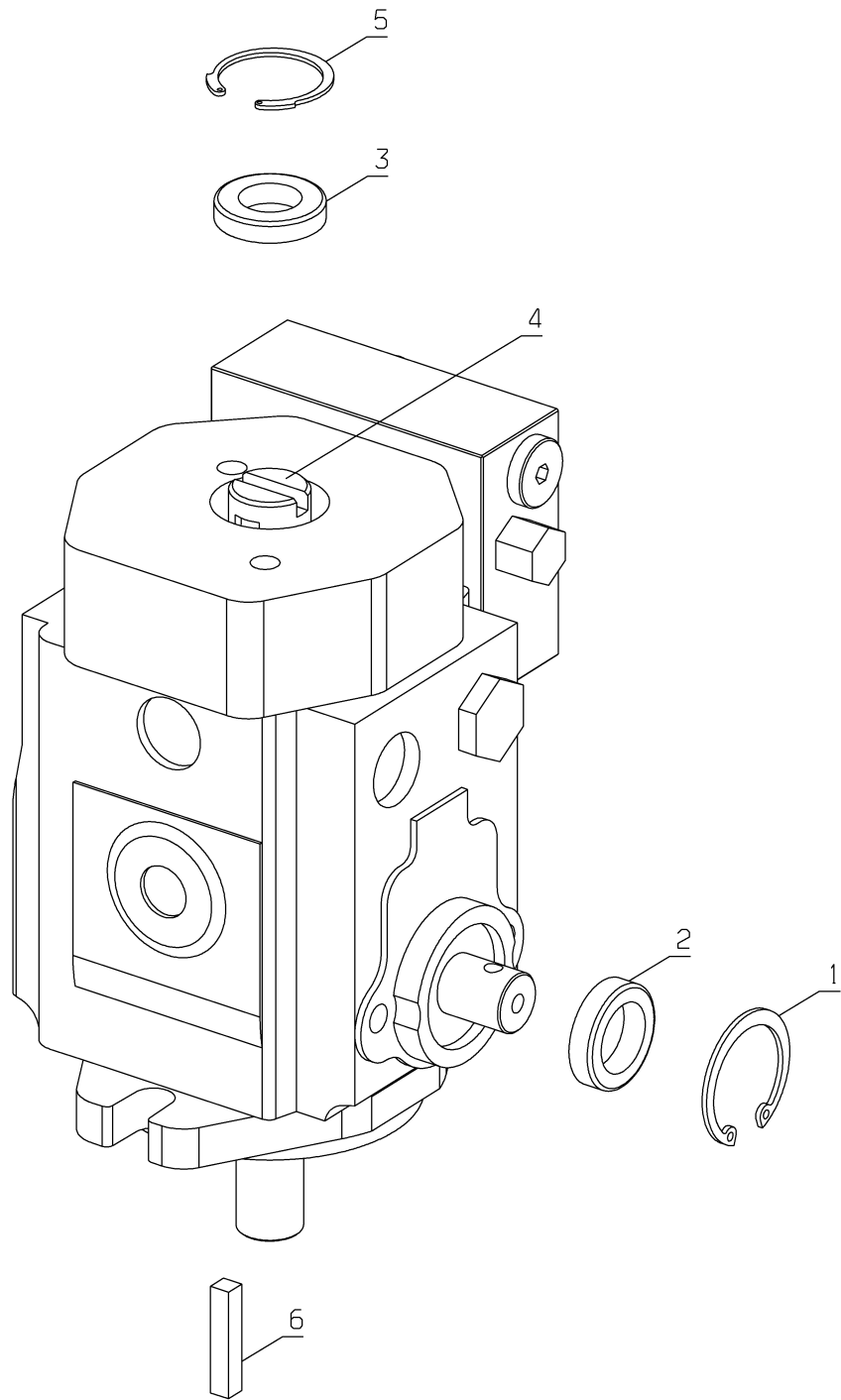
| Rep | Réf<br>ETESIA | F                            | D                      | E                    |
|-----|---------------|------------------------------|------------------------|----------------------|
| 1   | 30680         | DISTRIBUTEUR BM20/1          | VERTEILER MB20/1       | DISTRIBUTOR BM20/1   |
| 2   | 34070         | TIROIR                       | STEUERSCHIEBER         | SPOOL DECK VALVE     |
| 3   | 34074         | LIMITEUR DE PRESSION         | DRUCKBEGRENZER         | FLOW LIMITER         |
| 4   | 34073         | COMMANDE DISTRIBUTEUR        | VERTEILER STEUERUNG    | DISTRIBUTOR STEERING |
| 5   | 27103         | CRANTAGE N°1                 | RASTUNG                | LOCKING              |
| 6   | 34075         | BOUCHON LIMITEUR DE PRESSION | DRUCKBEGRENZER STOPFEN | FLOW LIMITER PLUG    |





# PL01160

| Rep | Réf<br>ETESIA | F                     | D                   | E                   |
|-----|---------------|-----------------------|---------------------|---------------------|
| 1   | 30605         | CARTER AVANT L        | L VORDERESGEHÄUSE   | L FRONT CASE        |
| 2   | 30606         | CARTER ARRIERE L      | LHINTERESGESHÄUSE   | L REAR CASE         |
| 3   | 30613         | JOINT BOUCH.VIDANGE   | ÖLABLASSCH.DICHTUNG | OIL DR. PLUG GASKET |
| 4   | 30614         | VIS                   | SCHRAUBE            | SCREW               |
| 5   | 30615         | ECROU                 | MUTTER              | NUT                 |
| 6   | 30616         | CIRCLIPS              | SEEGERING           | CIRCLIP             |
| 7   | 30619         | JOINT A LEVRES        | LIPPENDICHTUNG      | LIP SEAL            |
| 8   | 30620         | JOINT A LEVRES        | LIPPENDICHTUNG      | LIP SEAL            |
| 9   | 30621         | CLAVETTE              | KEIL                | KEY                 |
| 10  | 30622         | BOUCHON DE VIDANGE    | ÖLABLASSSCHRAUBE    | OIL DRAIN PLUG      |
| 11  | 34078         | ARBRE D'ENTREE 31040  | EINGANGSWELLE 31040 | IMPUT SHAFT 31040   |
| 12  | 34077         | ARBRE DE SORTIE 31040 | AUSGANGSWELLE 31040 | OUTPUT SHAFT 31040  |
| 13  | 34076         | ROULEMENT             | LAGER               | BEARING             |
| 14  | 34079         | ROULEMENT             | LAGER               | BEARING             |
| 15  | 34080         | ROULEMENT             | LAGER               | BEARING             |



## PLO1280

| Rep | Réf<br>ETESIA | F                             | D                     | E                   |
|-----|---------------|-------------------------------|-----------------------|---------------------|
| 1   | 34064         | CIRCLIPS INT.35               | SEEGERING IN.35       | CIRCLIP IN.35       |
| 2   | 34065         | JOINT 20.30.7                 | DICHTUNG 20.30.7      | SEAL 20.30.7        |
| 3   | 34066         | CIRCLIPS INT.30               | SEEGERING IN.30       | CIRCLIP IN.30       |
| 4   | 34067         | NOIX D'ACCOUPLMENT POMPE T.A. | ANTRIEBSPUMPE FLANSCH | DRIVE PUMP COUPLING |
| 5   | 34068         | JOINT 17.30.6                 | DICHTUNG 17.30.6      | SEAL 17.30.6        |
| 6   | 34069         | CLAVETTE 6x6x32               | KEIL 6x6x32           | KEY 6x6x32          |