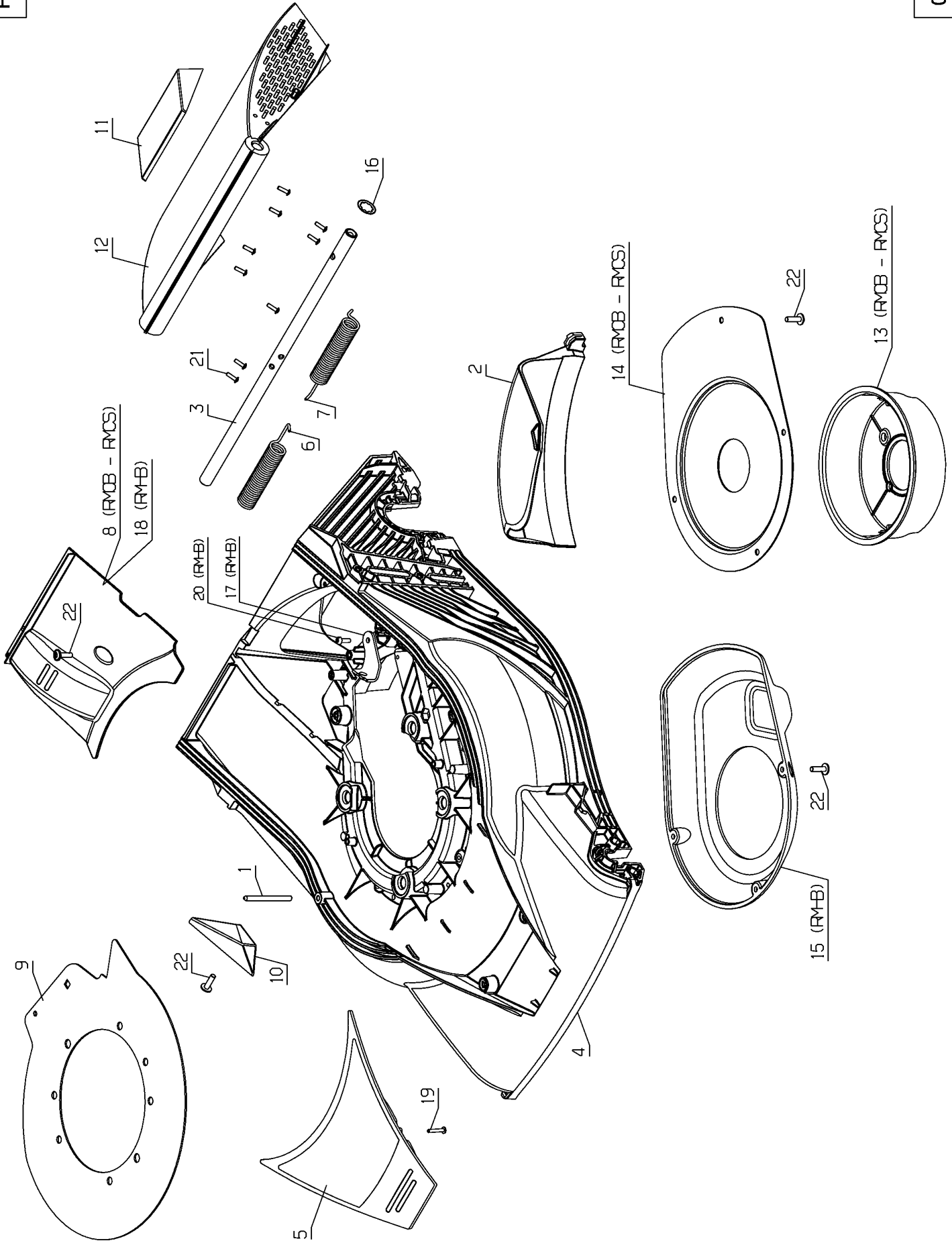
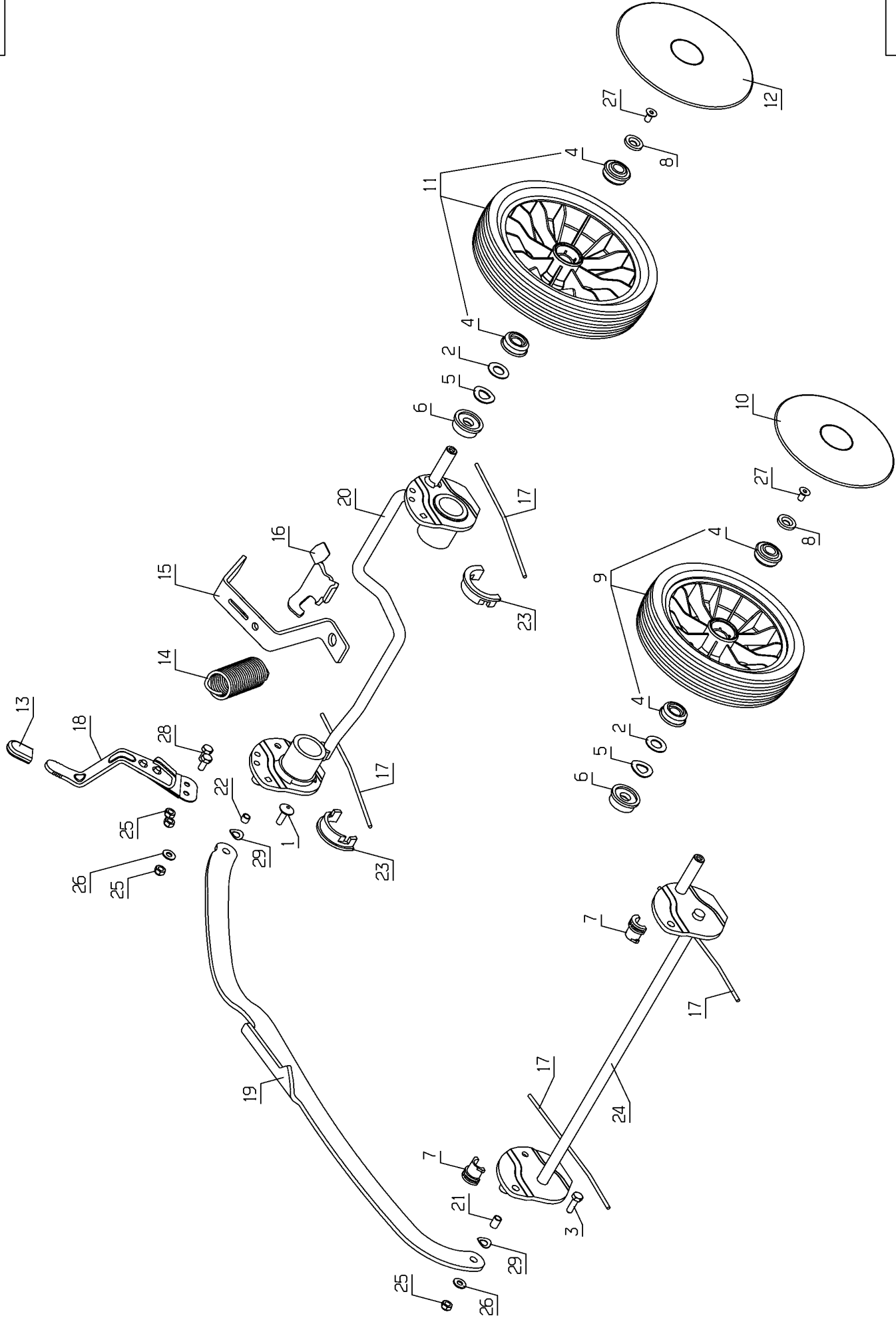


RMCS



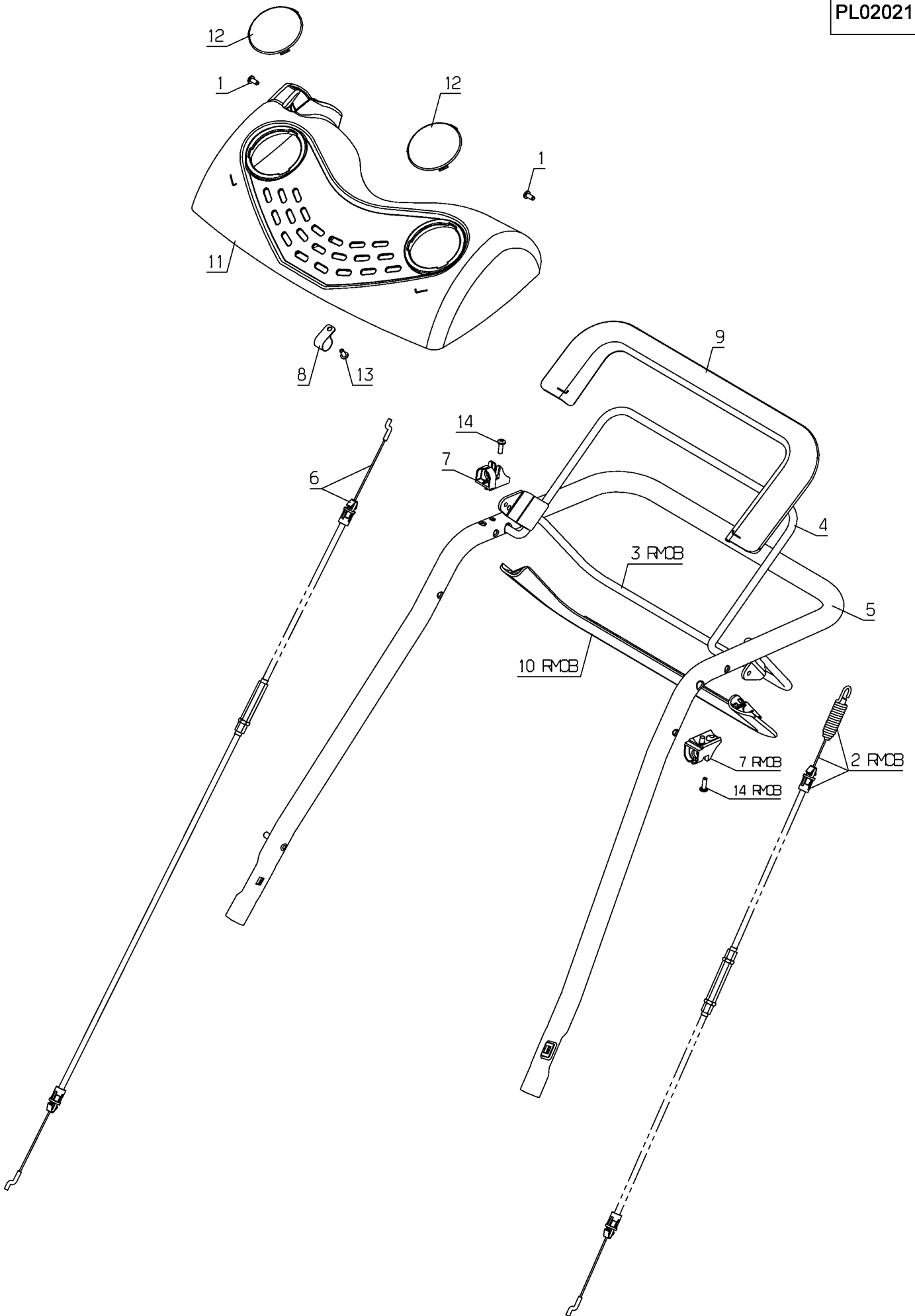
PL02016

| Rep | Réf ETESIA | F | D | E |
|-----|---------------|---------------------|-----------------------------------|---------------------|
| 1 | 35128 | INDICATEUR HDC | SCHNITTH TM HE ANZEIGE | CUT.HGT.INDICATOR |
| 2 | 36332 | OBTURATEUR | VERSCHLUSS STOPF. | |
| 3 | 36737 | AXE DEFLECTEUR RM46 | DEFLEKTOR ACHSE | |
| 4 | 38186 | | | |
| 5 | 38461 | | | |
| 6 | 39392 | RESSORT DEFLECT.DR. | FEDER | SPRING |
| 7 | 39393 | RESSORT DEFLECT.GA. | FEDER | |
| 8 | 39847 | CACHE TRANSM.RM46 | ABDECKUNG RM46 | COVER |
| 9 | 39943 | TOLE CACHE CENTR. | BLECH | |
| 10 | 39994 | | | |
| 11 | 40047 | POIGNEE CLAPET | GRIFF | GRIP |
| 12 | 41024 | DEFLECTEUR VERT | DEFLEKTOR | DEFLECTOR |
| 13 | 42696 | BOL DE PROTECTION | SCHUTZ | PROTECTION |
| 14 | 43504 | CACHE ACCOUPLEMENT | FLANSCH VERKLEIDUNG | COUPLING COVER |
| 15 | 43548 | CACHE MBK | VERKLEIDUNG MBK | COVER MBK |
| 16 | 50104 | GRIFFAXE 16 | KLAUE SCHEIBE | HOOK WASHER |
| 17 | 50628 | BUTEE GAINÉ VARIAT. | KABEL ANSCHLAG | |
| 18 | 50729 | | | |
| 19 | 71190 | VIS EJ-PT KA40X25 | VIS EJ-PT KA40X25 | SCREW |
| 20 | 71211 | VIS EJ-PT DG 50X16 | SCHRAUBE 50X16 | BOLT EJ-PT 50X16 |
| 21 | 71299 | VIS EJPT KA 40X14 | SCHRAUBE EJPT 40X14 | SCREW EJPT KA 40X14 |
| 22 | 71365 | | | |



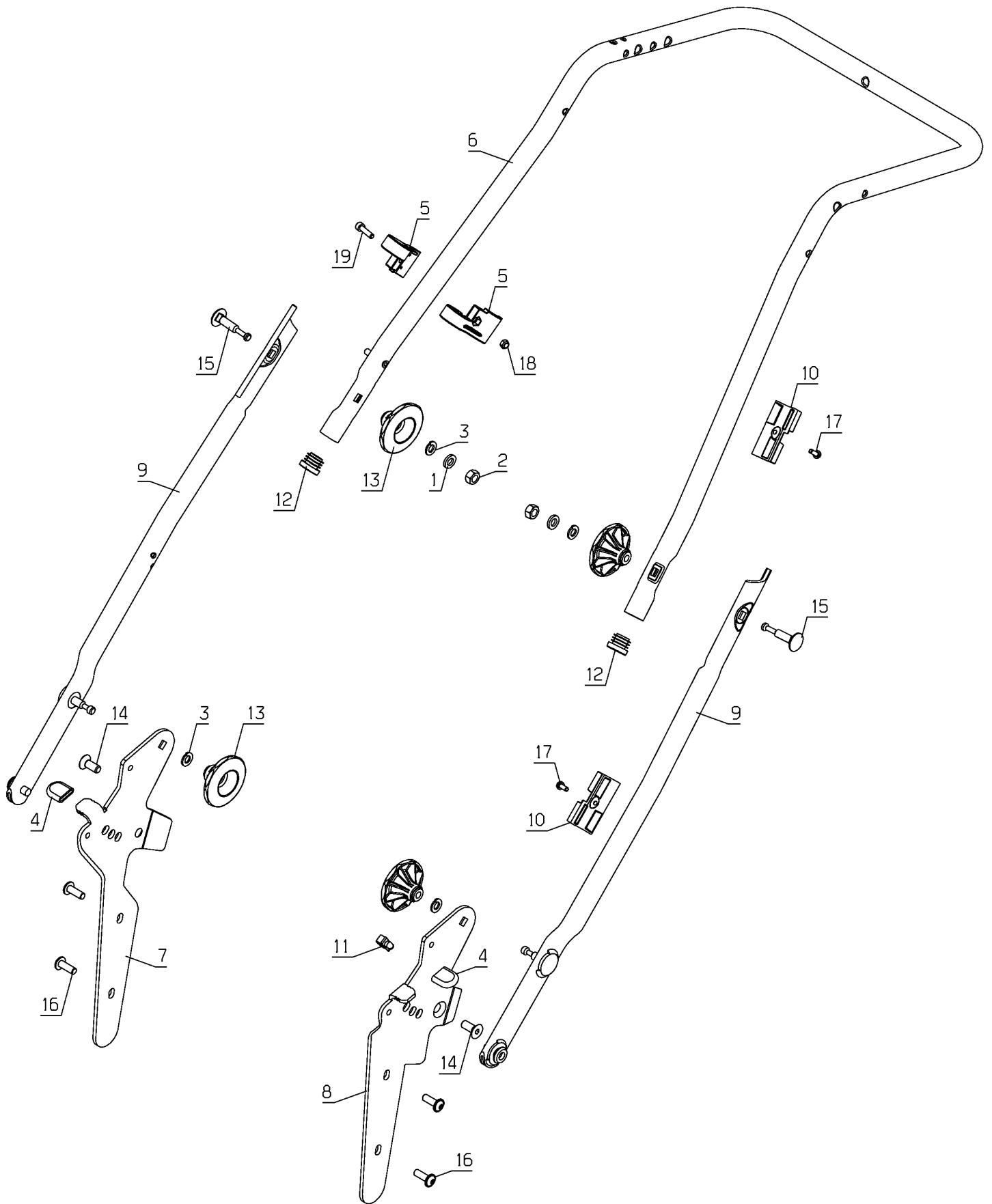
PLO2019

| Rep | Réf ETESIA | F | D | E |
|-----|---------------|---------------------|---------------------|---------------------|
| 1 | 5496 | VIS TRCC 6X20 | SCHRAUBE M6X20 | SCREW 6X20 |
| 2 | 6011 | RDLE PL.12,2X23,2X1 | SCHEIBE 12,2X23,2X1 | WASHER 12,2X23,2X1 |
| 3 | 20507 | VIS HM 6 X 20 | SECHSKANT.HM 6X20 | BOLT HM 6X20 |
| 4 | 20533 | RLT A BILLES DIA.12 | KUGELLAGER DIAM.12 | BEARING DIAM.12 |
| 5 | 20536 | RDLE OND.B 12 | WELLENSCHEIBE B12 | CRINKLE WASHER |
| 6 | 20537 | BAGUE ROUE | RADBŠCHSE | WHEEL RING |
| 7 | 20539 | BAGUE AV. | VORDERBŠCHSE | FRONT RING |
| 8 | 24132 | RONDELLE AXE ROUE | RADACHSE SCHEIBE | SHAFT WASHER |
| 9 | 24810 | ROUE 180 RLT.VERTE | RAD 180 + LAGER | WHEEL 180 + BEARING |
| 10 | 24922 | FLASQUE ROUE 180 V. | RADFLANSCH D180 GR. | WHEEL FLASK 180 GR. |
| 11 | 24926 | ROUE200 RLT B.VERTE | RAD200 GRŠN KGLAGER | WHEEL 200 BALL B. |
| 12 | 24927 | FLASQUE ROUE 200 V. | RADFLANSCH D.200 | WHEEL FLANGE 200 |
| 13 | 35778 | BUTEE GUIDON | LENKER ANSCHLAG | |
| 14 | 36478 | RESSORT HDC | FEDER | SPRING |
| 15 | 36483 | TOLE SUPPORT RESSOR | HALTERUNG | BRACKET |
| 16 | 36597 | ATTACHE RESSORT HDC | FEDER BEFESTIGUNG | SPRING FIXING |
| 17 | 36720 | RESSORT FIXAT.PONT | FEDER | SPRING |
| 18 | 37241 | ENS.COMMANDE HDC | SCH.H™H.BEDIENUNG | CUT.HGT CONTROL |
| 19 | 37293 | BARRE LIAIS.AV/AR | VERBINDUNGSGESTŽNGE | |
| 20 | 39262 | HDC ARR.POUSSE | HINT.SCHN.H™H.SCHI. | |
| 21 | 42704 | ENTRETOISE HDC AV | VORD SCHNITT BŠCHSE | SPACER CUTTING H.FR |
| 22 | 42706 | ENTRETOISE HDC AR | HINT SCHNITT BŠCHSE | SPACER CUTTING H.R. |
| 23 | 42736 | BAGUE PONT ARRIERE | BŠCHSE | RING |
| 24 | 43265 | ENSEMBLE HDC AVANT | VORNE SCHNITTH™HE | AR.CUT.HGT |
| 25 | 71073 | ECROU AUTOFR.HM6 | STOPMUTTER HM6 | SELF LOCKING NUT |
| 26 | 71075 | RDLE PL.M 6N | SCHEIBE | WASHER |
| 27 | 71222 | VIS FHC/90 M6X12 | SCHR. FHC/90 M6X12 | SCREW FHC/90 6X12 |
| 28 | 71255 | VIS TH M6X14 DIN933 | SCHRAUBE TH M6X14 | SCREW TH M6X14 |
| 29 | 71427 | RLE RESS DIN 137-A8 | FEDERSCH DIN 137-A8 | S WASHER DIN 137-A8 |



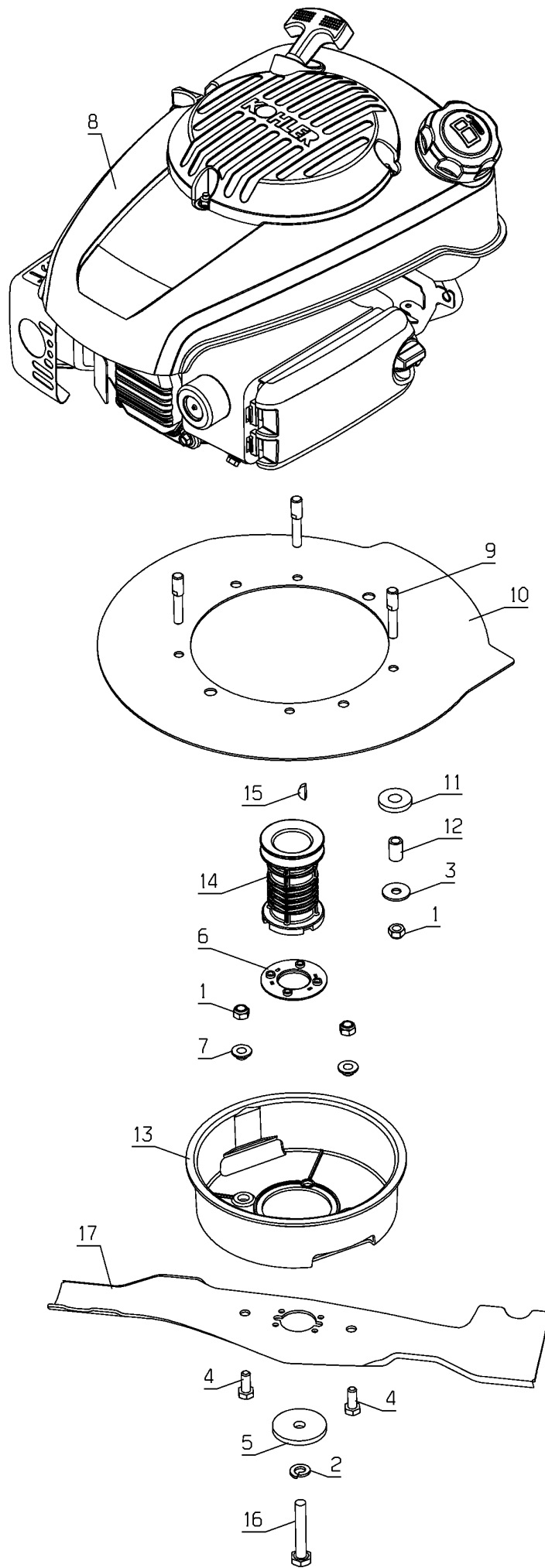
PL02021

| Rep | Réf ETESIA | F | D | E |
|-----|---------------|---------------------|---------------------|--------------------|
| 1 | 21585 | VIS TOLE BZ 4,2X9,5 | SCHRAUBE BZ 4,2X9,5 | SCREW BZ 4,2X9,5 |
| 2 | 36738 | CABLE AVANCE RM46 | ANTRIEBSKABEL RM46 | DRIVE CABLE RM46 |
| 3 | 36903 | LEVIER EMBRAYAGE | HEBEL | LEVER |
| 4 | 36904 | LEVIER CPO | HEBEL | |
| 5 | 37046 | GUIDON SUP.RM46 | OBERE LENKSTANGE | UPPER HANDLE BAR |
| 6 | 37057 | CABLE FREIN MOTEUR | MOTORBREMSE KABEL | ENGINE BRAKE CABLE |
| 7 | 37173 | BUTEE CABLE SIMPLE | ANSCHLAG | STOP |
| 8 | 37184 | COLLIER DIA.14 | SCHELLE DIA.14 | |
| 9 | 37343 | REV.ARCEAU FR.BLANC | GUMMI SCHUTZ | |
| 10 | 37344 | REV.ARCEAU AV.BLANC | GUMMI SCHUTZ | |
| 11 | 37611 | CACHE CPLT BLANC | VERKLEIDUNG WEISS | COVER |
| 12 | 43089 | COUVER.MANETTE BL. | STOPFEN | CAP |
| 13 | 71048 | VIS EJOT-PT KA40X10 | SCHRAUBE PT KA40X10 | BOLT EJ.PT KA40X10 |
| 14 | 71279 | VIS B4.2-13 4.6 | SCHRAUB B4.2-13 4.6 | SCREW B.42-13 4.6 |



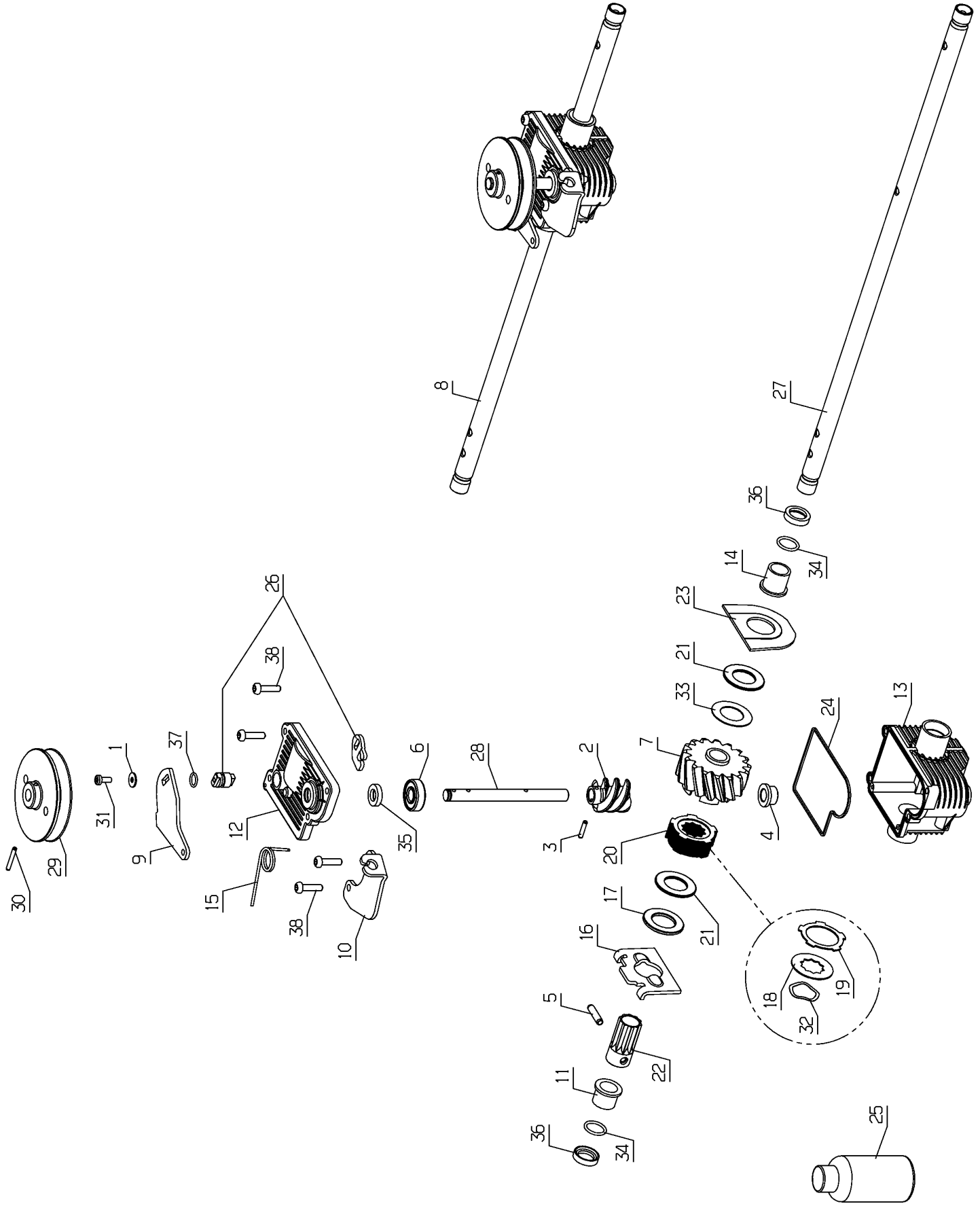
PLO2020

| Rep | Réf ETESIA | F | D | E |
|-----|---------------|---------------------|---------------------|---------------------|
| 1 | 2017 | RDLE EVENT.A8,2 679 | FAECHERSCHEIBE A8.2 | SERRATED LOCK WASHE |
| 2 | 2020 | ECROU H.M8 DIN934 | MUTTER HM8 DIN 934- | NUT HM8 |
| 3 | 6416 | RLE GROW-DIN 128 A8 | SCHEIBE | WASHER |
| 4 | 35778 | BUTEE GUIDON | LENKER ANSCHLAG | |
| 5 | 36391 | DEMI SUPP.LANCEUR | ANZIEH.HALB.HALTERG | STARTER HALF BRACK. |
| 6 | 37046 | GUIDON SUP.RM46 | OBERE LENKSTANGE | UPPER HANDLE BAR |
| 7 | 37295 | BRAS DROIT 2P NOIR | RECHTER ARM | RIGHT ARM |
| 8 | 37296 | BRAS GAUCHE 2P NOIR | LINKER ARM | |
| 9 | 38587 | GUIDON INF RM46 | UNTERE LENKSTANGE | |
| 10 | 38957 | GUIDE CABLE CLIPS | KABELFÜHRUNG | |
| 11 | 39758 | AGRAFE | KLAMMER | |
| 12 | 41437 | BOUCHON 22X2.5 | STOPFEN 22X2,5 | CAP 22X2,5 |
| 13 | 41443 | BOUTON INSERT | EINSATZ KNOPF | INSERT BUTTON |
| 14 | 71122 | VIS TF M8X20 | SCHRAUBE TF M8X20 | SCREW 8X20 |
| 15 | 71140 | VIS A GORGE M8X45 | SCHRAUBE M8X45 | SCREW M8X45 |
| 16 | 71276 | VIS EJPT K 70X20 | SCHRAUBE EJPT 70X20 | SCREW EJPT K70X20 |
| 17 | 71279 | VIS B4.2-13 4.6 | SCHRAUB B4.2-13 4.6 | SCREW B.42-13 4.6 |
| 18 | 71308 | ECROU H FR M5,8 | STOPMUTTER M5 | LOCK NUT M5 |
| 19 | 71408 | VIS CHC M5-20,8.8 | SCHRAUBE CHC M5-20 | SCREW CHC M5-20 |



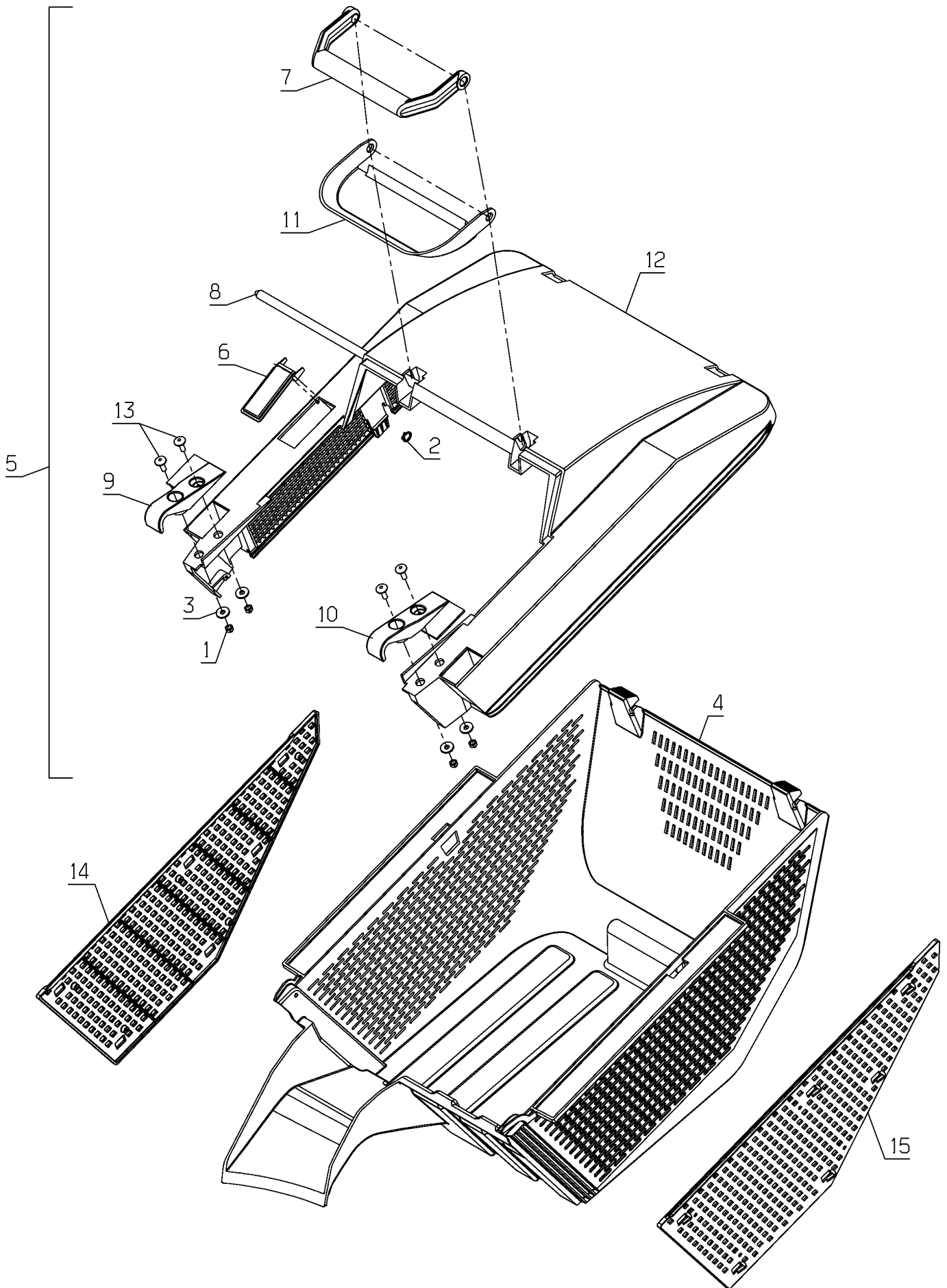
PL02014

| Rep | Réf ETESIA | F | D | E |
|-----|---------------|---------------------|---------------------|---------------------|
| 1 | 2021 | ECR.AUTOFR.HM8 DIN | STOPMUTTER HM 8 DIN | NUT HM8 |
| 2 | 2244 | RDLE GROWER A10 | FEDERSCHEIBE A10 | WASHER A10 |
| 3 | 7035 | RDLE PL.B 8,4DIN90 | BEILAGSCHEIBE B8,4 | FLAT WASHER |
| 4 | 7334 | VIS H M 8X20 DIN933 | SECHSKANTSCHRAUBE H | HEXAGON SCREW,DIN 9 |
| 5 | 7341 | RDLE PL.10,3X49X5 | SCHEIBE 10,3X49X5 | FLAT WASHER 10,3X49 |
| 6 | 24006 | RDLE D'ACCOUPEMENT | SCHERSCHEIBE | SHEAR WASHER |
| 7 | 24052 | BAGUE ARTICULATION | GELENKBŠCHSE NG51 | KNUCKLE RING |
| 8 | 35101 | MOT.KOHL.COUR.XT-6 | MOT.KOHL.COUR.XT-6 | |
| 9 | 37806 | GOUJON M10X20XM8 | STIFT M10 X 20 X M8 | |
| 10 | 39943 | TOLE CACHE CENTR. | BLECH | |
| 11 | 41007 | CANON ISOLANT NG41 | ISOLIERBŠCHSE | INSULATION MUFF |
| 12 | 42019 | ENTRET.12X8,2X19 | BŠCHSE 12X8,2X19 | BUSH 12X8,2X19 |
| 13 | 42696 | BOL DE PROTECTION | SCHUTZ | PROTECTION |
| 14 | 42717 | ACCOUPEMENT D=25 | MESSERFLANSCH | BLADE COUPLING |
| 15 | 71127 | CLAV.4,8X6,5X15,72 | KEIL | KEY 4,8X6,5X15,72 |
| 16 | 71398 | VIS H UNF 3/8"60 | SCHRAU.H UNF 3/8"60 | BOLT H UNF 3/8"60 |
| 17 | MZ46E | LAME POUR RM46 | MESSER SUR RM46 | BLADE FOR RM46 |



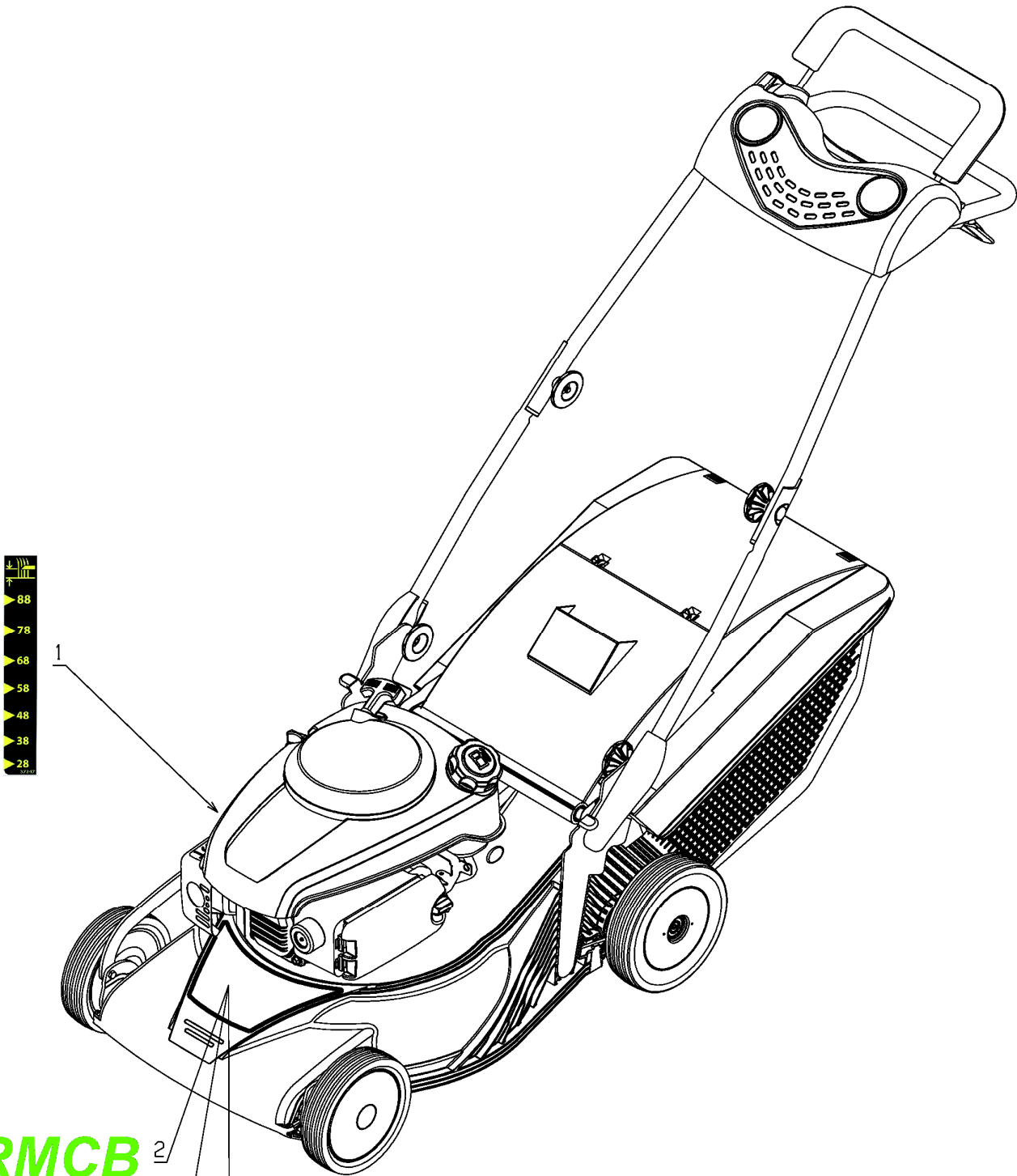
PLO2022

| Rep | Réf ETESIA | F | D | E |
|-----|---------------|---------------------|----------------------|----------------------|
| 1 | 7094 | RDLE PL.B 4,3DIN90 | BEILAGSCHEIBE B 4,3 | FLAT WASHER |
| 2 | 20555 | VIS SANS FIN | SCHNECKE | ENDLESS BOLT |
| 3 | 20556 | GOUPILLE SPI. 3X15 | SPLINTE 3X15 | PIN 3X15 |
| 4 | 20558 | BAGUE C10/15X10 | BŠCHSE C10/15X10 | RING C/10 15X10 |
| 5 | 21609 | GOUPILLE SPI.5X22 | SPLINTE 5X22 | PIN 5X22 |
| 6 | 24642 | RLT A BILLES SUP. | KUGELLAGER | BEARING |
| 7 | 24776 | ENS.CLOCHE + ROUE | GLOKE + RAD | BELL + WHEEL SET |
| 8 | 39971 | REDUCTEUR DISQUE | SCH.GETRIEBE | DISC REDUCER |
| 9 | 39973 | BRAS DE CDE RM46 | ARM RM46 | ARM |
| 10 | 39974 | SUPPORT RM46 | HALTERUNG | BRACKET |
| 11 | 40108 | BAGUE C15/19X16BP25 | RING C15/19X16BP25 | RING C15 19X16BP25 |
| 12 | 41051 | COUVERCLE BOITIER | DECKEL REDUZIERGETR | REDUCT. GEAR COVER |
| 13 | 41052 | BOITIER REDUCT.N.M | OIL BAD GETRIEBE NM | OIL BATH REDUCER NM |
| 14 | 41056 | BAGUE AUT.C15/19X20 | BŠCHSE C15/19X20 | SELF LUBRICATE BUSH |
| 15 | 41060 | RESSORT RAPPEL EMBR | KUPPLG RŠCKHOLFEDER | CLUTCH SPRING |
| 16 | 41094 | FOURCHETTE RD | GABEL RD | FORK RD |
| 17 | 41095 | RONDELLE DE BUTEE | ANSCHLAGSCHEIBE | STOP WASHER |
| 18 | 41096 | DISQUE EMBR.INT. | INNERKUPPLUNGSCHEIBE | INT.CLUTCH PLATE |
| 19 | 41097 | DISQUE EMBR.EXT. | AUSS.KUPPLG.SCHEIBE | EXT.CLUTCH PLATE |
| 20 | 41100 | ENS.DISQUES + BUTEE | SCHEIB.SET+ANSCHLAG | DISK SET + STOP |
| 21 | 41102 | BUTEE A AIGUILLES | NADELAXIALLAGER | STRIDDED STOP |
| 22 | 41104 | ENTRAINEUR | MITNHEMER | CARRIER |
| 23 | 41105 | RENFORT BOITIER | GEHŽUSEVERSTŽRKERUN | CASING REINFORCEMENT |
| 24 | 41110 | JOINT COUVERCLE | DECKEL DICHTUNG | COVER SEAL |
| 25 | 41116 | HUILE AZOLLA 60ML | ™L AZOLLA 60ML | OIL AZOLLA 60ML |
| 26 | 41822 | ENS.AXE POUSSOIR | STEUERUNGSACHSE | PUSH AXLE (SET) |
| 27 | 43034 | AXE LENT 48 RD | ACHSE NG 48 | SHAFT NG 48 |
| 28 | 43520 | AXE RAPIDE RM | SCHNELLE WELLE | |
| 29 | 50006 | POULIE DP:72 | SCHEIBE DP:72 | PULLEY |
| 30 | 71088 | GOUPILLE SPI.3X22 | SPLINTE 3X22 | PIN 3X22 |
| 31 | 71213 | VIS SF PLUS M4X10 | SCHRAUBE M4X10 | BOLT M4X10 |
| 32 | 71214 | RDLE ONDUFLEX R9 | SCHEIBE R9 | WASHER R9 |
| 33 | 71216 | RONDELLE DE BUTEE | ANSCHLAGSCHEIBE | STOP WASHER |
| 34 | 71217 | JOINT TORIQUE 15X2 | O-RING 15X2 | O-RING 15X2 |
| 35 | 71218 | JOINT LEVRE 10X18X4 | LIPPENDICHTUNG | LIP SEAL 10X18X4 |
| 36 | 71219 | JOINT LEVRE 15X21X5 | LIPPENDICHTUNG | LIP SEAL 15X21X5 |
| 37 | | | | |
| 38 | 71244 | VIS EF-PT D6 50X20 | SCHRAUBE 50X20 | BOLT EJ-PT 50X20 |



PL02013

| Rep | Réf ETESIA | F | D | E |
|-----|---------------|---------------------|-------------------|---------------------|
| 1 | 1607 | ECR.AUTOFR.HM5 DIN | STOPMUTTER HM5 | NUT |
| 2 | 20559 | CIRCLIPS 10 | SEEGERING | CIRCLIPS 10 |
| 3 | 21481 | RDLE PL.A 5,3 | SCHEIBE | WASHER |
| 4 | 39944 | | | |
| 5 | 39945 | | | |
| 6 | 41608 | TEMOIN DE REMPL.V | FŠLLANZEIGER | INDICATOR FILLING |
| 7 | 41655 | POIGNEE PANIER NOIR | KORBSGRIFF | GRASSBOX GRIP |
| 8 | 41657 | AXE POIGNEE | GESTŽNGE | ROD |
| 9 | 41658 | CROCHET PANIER DR | KORBHAKEN RECHTS | GRASSBOX HOOK RIGHT |
| 10 | 41659 | CROCHET PANIER GA | KORBHAKEN LINKS | GRASSBOX HOOK LEFT |
| 11 | 41660 | PROTECTION POIGNEE | GRIFF SCHUTZ | GRIP PROTECTION |
| 12 | 41662 | PANIER PARTIE SUP.V | OBERER KORB | UPPER BOX |
| 13 | 71233 | VIS JM 5X16 DIN 603 | SCHRAUBE JM 5X16 | SCREW JM 5X16 |
| 14 | 39556 | GRILLE PANIER DROIT | R.FANGKORB GITTER | R.GRASSBOX GRID |
| 15 | 39557 | GRILLE PANIER GAUCH | L.FANGKORB GITTER | |



RMCB 2
RMHB 3
RMCS 4

PL02025

| Rep | Réf ETESIA | F | D | E |
|-----|---------------|--------------------|----------------|---|
| 1 | 37247 | ETIQUETTE HDC RM46 | AUFKLEBER RM46 | |
| 2 | 39976 | | | |
| 3 | 50753 | | | |
| 4 | 39979 | | | |