

PARTS LIST

MX36EH-B(1P)

CONTENTS

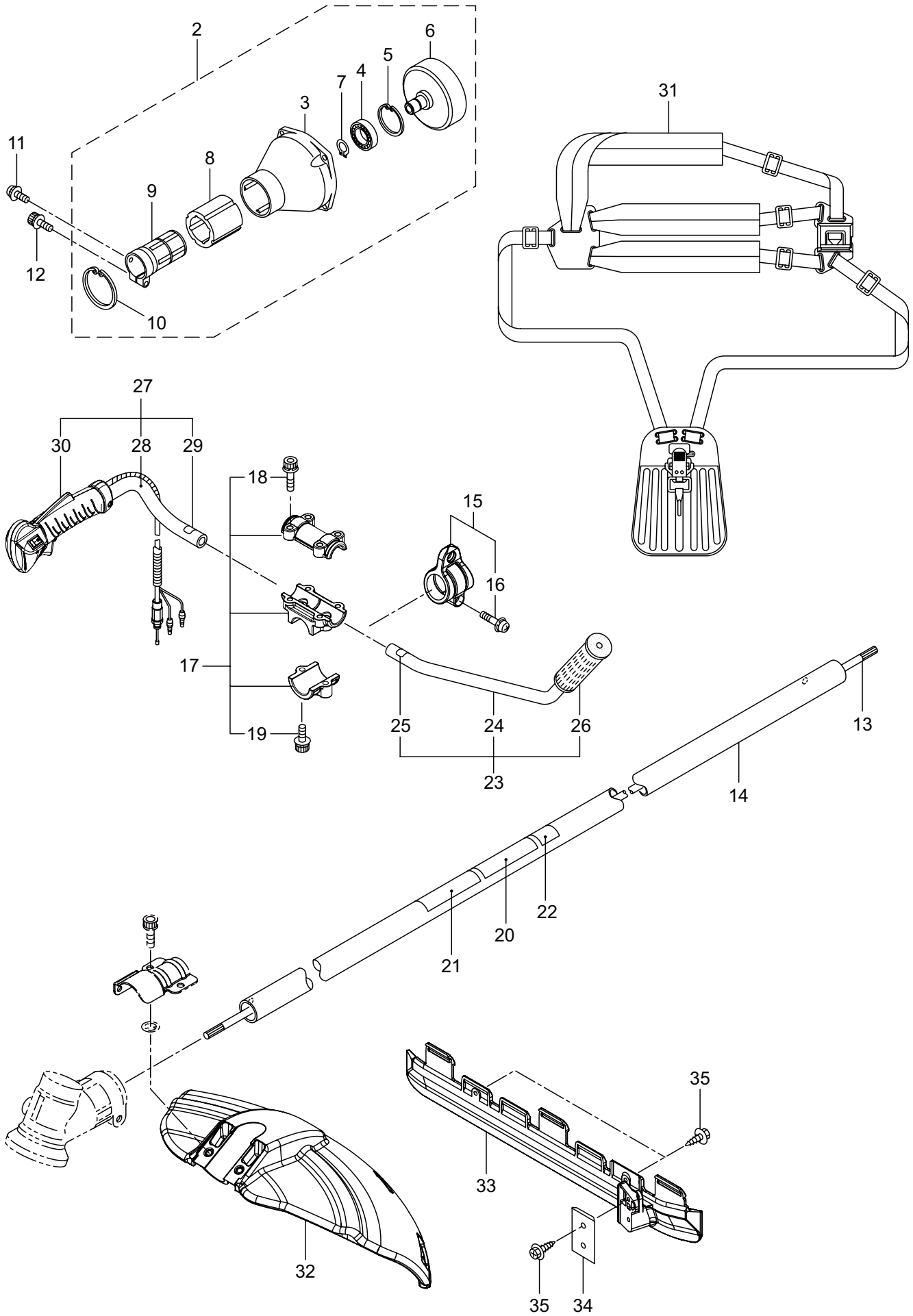
1. MAIN BODY	1 ~ 2
2. GEARCASE.....	3 ~ 4
3. ENGINE.....	5 ~ 8
4. RECOIL STARTER	9 ~ 10
5. CARBURETOR, FUEL TANK	11 ~ 12
6. ACCESSORIES	13 ~ 14

2020. 04.



P/N 524945

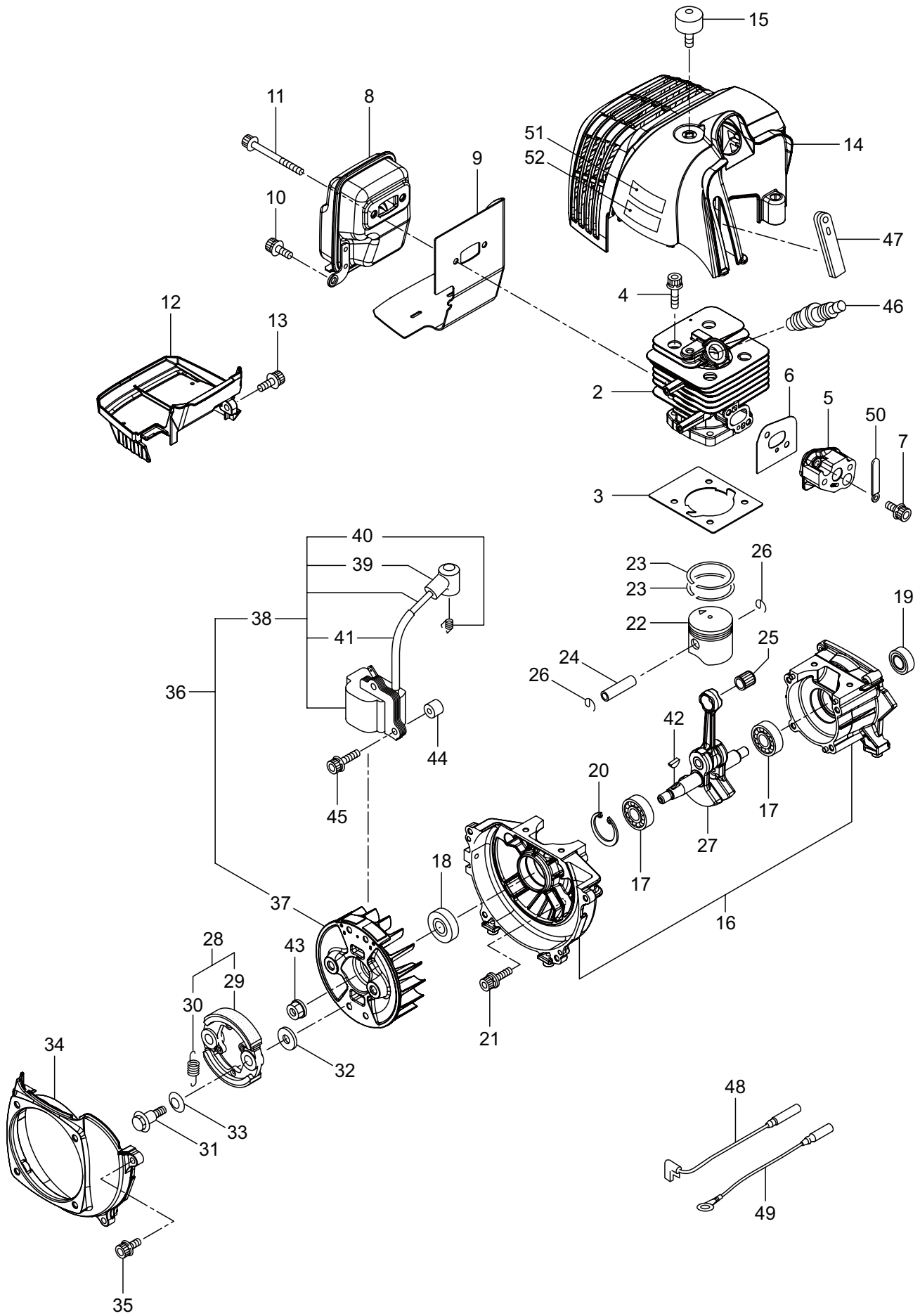
1. MX36EH-B(1P)
MAIN BODY



Ref. No.	Part No.	Part Name	Q'ty	Remarks
1-1	366160	MX36EH-B(1P)	1	
1-2	560548	Clutch Case Ass'y	1	Incl.3-10
1-3	560482	Clutch Case	1	
1-4	140474	Bearing	1	#6202ZZ
1-5	012380	Snap Ring	1	#35
1-6	560483	Clutch Drum	1	
1-7	012384	Snap Ring	1	#15
1-8	560484	Buffer	1	
1-9	560549	Driveshaft Tube Adapter	1	
1-10	065601	Snap Ring	1	H45
1-11	560486	Screw	1	M5x10
1-12	560487	Cap Screw	1	M6x30
1-13	560515	Driveshaft Ass'y	1	
1-14	560550	Driveshaft Tube	1	
1-15	560554	Hanging Bracket Ass'y	1	Incl.16
1-16	560496	Screw	1	M5x25
1-17	560734	Bracket Ass'y	1	Incl.18,19
1-18	560758	Cap Screw	4	M6x25
1-19	560487	Cap Screw	2	M6x30
1-20	560578	Label	1	MX36EH
1-21	560579	Label	1	
1-22	560580	Label	1	116dBA
1-23	560581	Handle Ass'y-Left	1	Incl.24-26
1-24	560310	Handle	1	
1-25	560522	Label	1	
1-26	226512	Grip	1	
1-27	560582	Handle Ass'y-Right	1	Incl.28-30
1-28	560311	Handle	1	
1-29	560522	Label	1	
1-30	560400	Throttle Trigger	1	
1-31	560583	Hanging Strap Ass'y	1	
1-32	560347	Safety Cover	1	
1-33	234999	Cover Extension	1	
1-34	230747	String Cutter	1	
1-35	232689	Screw	3	M5x16

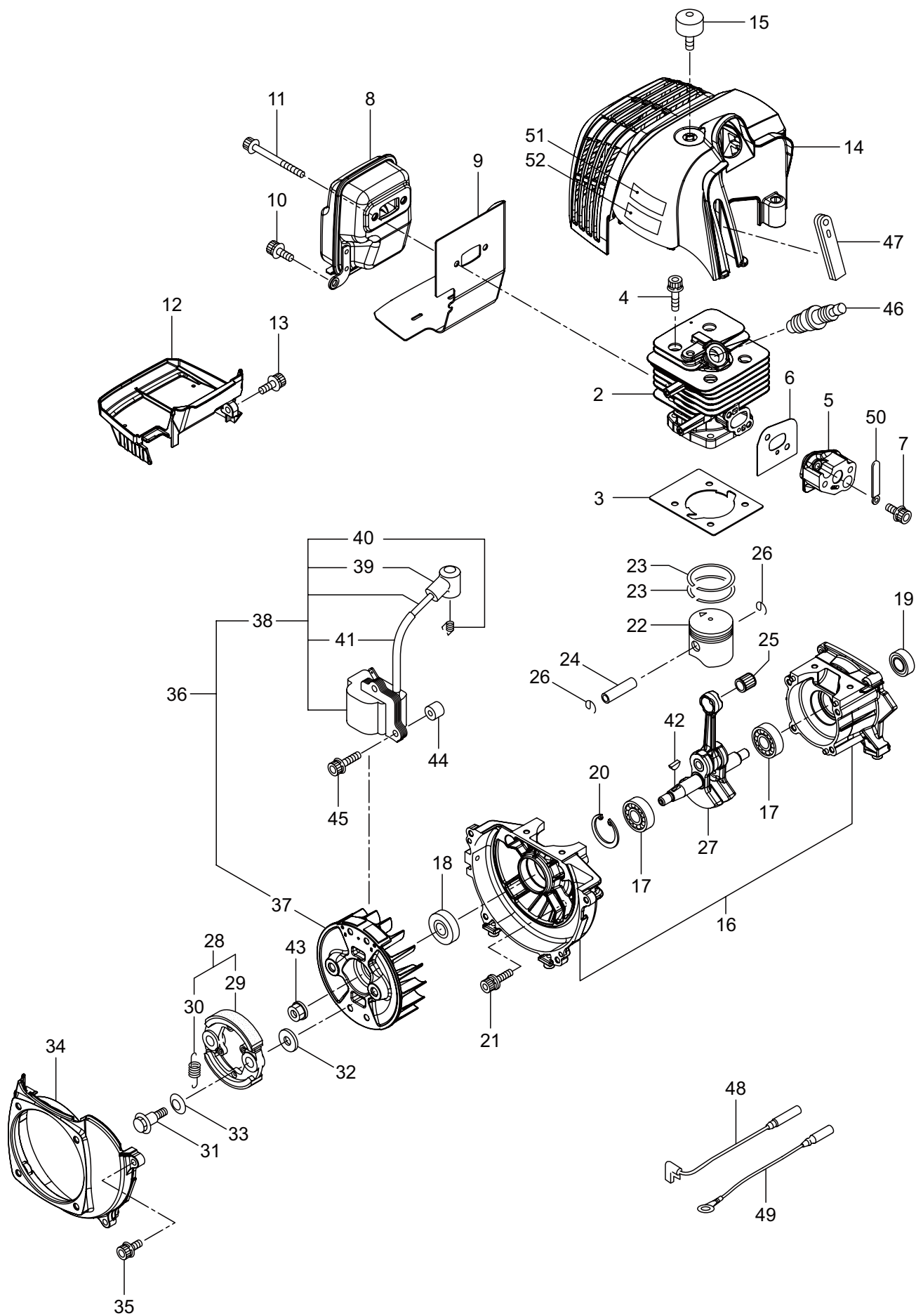
Ref. No.	Part No.	Part Name	Q'ty	Remarks
2-1	560638	Gearcase Ass'y	1	Incl.2-23
2-2	560565	Gearcase Ass'y	1	Incl.3-18
2-3	560566	Gearcase	1	
2-4	560504	Bolt	1	M6x8
2-5	560487	Cap Screw	1	M6x30
2-6	560567	Bearing	1	#629
2-7	560577	Gear Set	1	
2-8	560570	Bearing	1	#6201 2RS
2-9	016732	Snap Ring	1	#32
2-10	014490	Bearing	1	#6000
2-11	106933	Bearing	1	#6000Z
2-12	014210	Snap Ring	1	#10
2-13	054676	Snap Ring	1	#26
2-14	560572	Bracket A Ass'y	1	
2-15	560575	Bracket B	1	
2-16	560576	Stabilizer	1	
2-17	232920	Nut	1	M10x1.25
2-18	560732	Blade Shaft	1	
2-19	560593	Bracket Ass'y	1	
2-20	560594	Bracket	1	
2-21	560647	Cap Screw	2	M6x25
2-22	231704	Washer	2	6x13xt1.0
2-23	560602	Cap Screw	1	M5x12

3. MX36EH-B(1P)
ENGINE



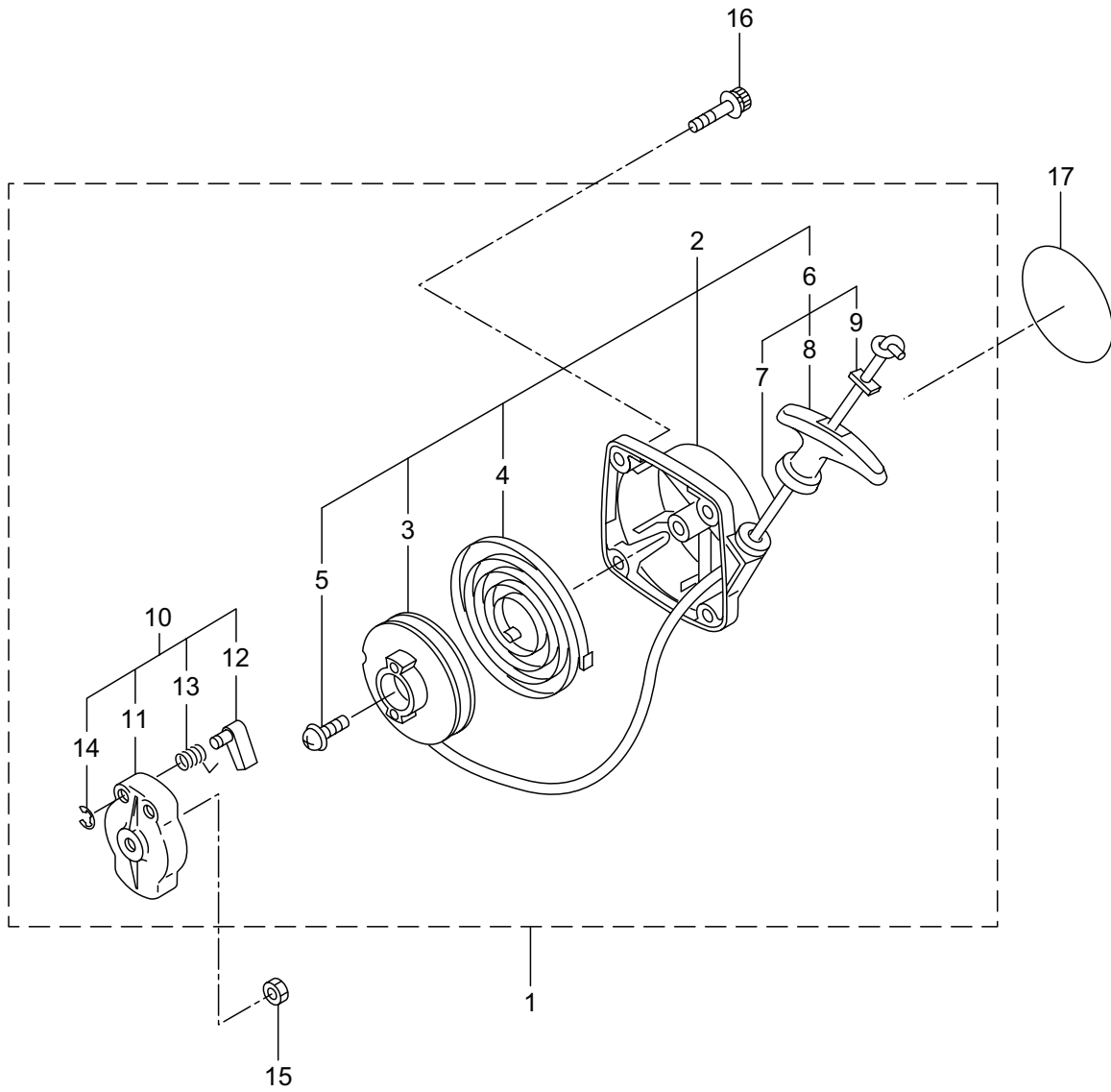
Ref. No.	Part No.	Part Name	Q'ty	Remarks
3-1	875285	Engine	1	FE362TH/01
3-2	246041	Cylinder	1	
3-3	279859	Gasket	1	
3-4	261250	Cap Screw	4	M5x20
3-5	279669	Insulator	1	
3-6	279671	Gasket	1	
3-7	265924	Cap Screw	2	M5x25
3-8	279712	Muffler Comp	1	
3-9	279762	Gasket	1	
3-10	261607	Cap Screw	1	M5x16
3-11	266713	Cap Screw	2	M5x60
3-12	279767	Under Cover	1	
3-13	261607	Cap Screw	1	M5x16
3-14	279770	Top Cover	1	
3-15	285843	Knob	1	
3-16	279498	Crankcase	1	
3-17	261384	Bearing	2	#6201C3
3-18	261385	Oil Seal	1	ISCD12327
3-19	563632	Oil Seal	1	
3-20	016732	Snap Ring	1	#32
3-21	261612	Cap Screw	4	M5x30
3-22	279356	Piston	1	
3-23	246102	Piston Ring	2	
3-24	265068	Piston Pin	1	
3-25	265225	Bearing,Needle	1	
3-26	261393	Clip,Piston Pin	2	
3-27	279329	Crankshaft/Conn.Rod Ass'y	1	
3-28	286905	Clutch Ass'y	1	Incl.29,30
3-29	286906	Clutch Shoe	2	(2)Required
3-30	286907	Spring, Clutch	1	
3-31	246377	Clutch Bolt	2	M8x1.25
3-32	262683	Washer	2	8x22x1.2
3-33	262682	Wave Washer	2	
3-34	279702	Fan Cover	1	
3-35	261250	Cap Screw	4	M5x20
3-36	563598	Magneto Ass'y	1	Incl.37-41
3-37	279362	Rotor/Fan	1	
3-38	246195	Ignition Coil Ass'y	1	Incl.39-41
3-39	283178	Plug Boot	1	
3-40	272805	Connector	1	
3-41	283272	Insulator	1	
3-42	261076	Woodruff Key	1	3x10
3-43	261417	Nut,Rotor	1	M8
3-44	280381	Spacer	2	
3-45	261256	Cap Screw	2	M4x25

3. MX36EH-B(1P) ENGINE



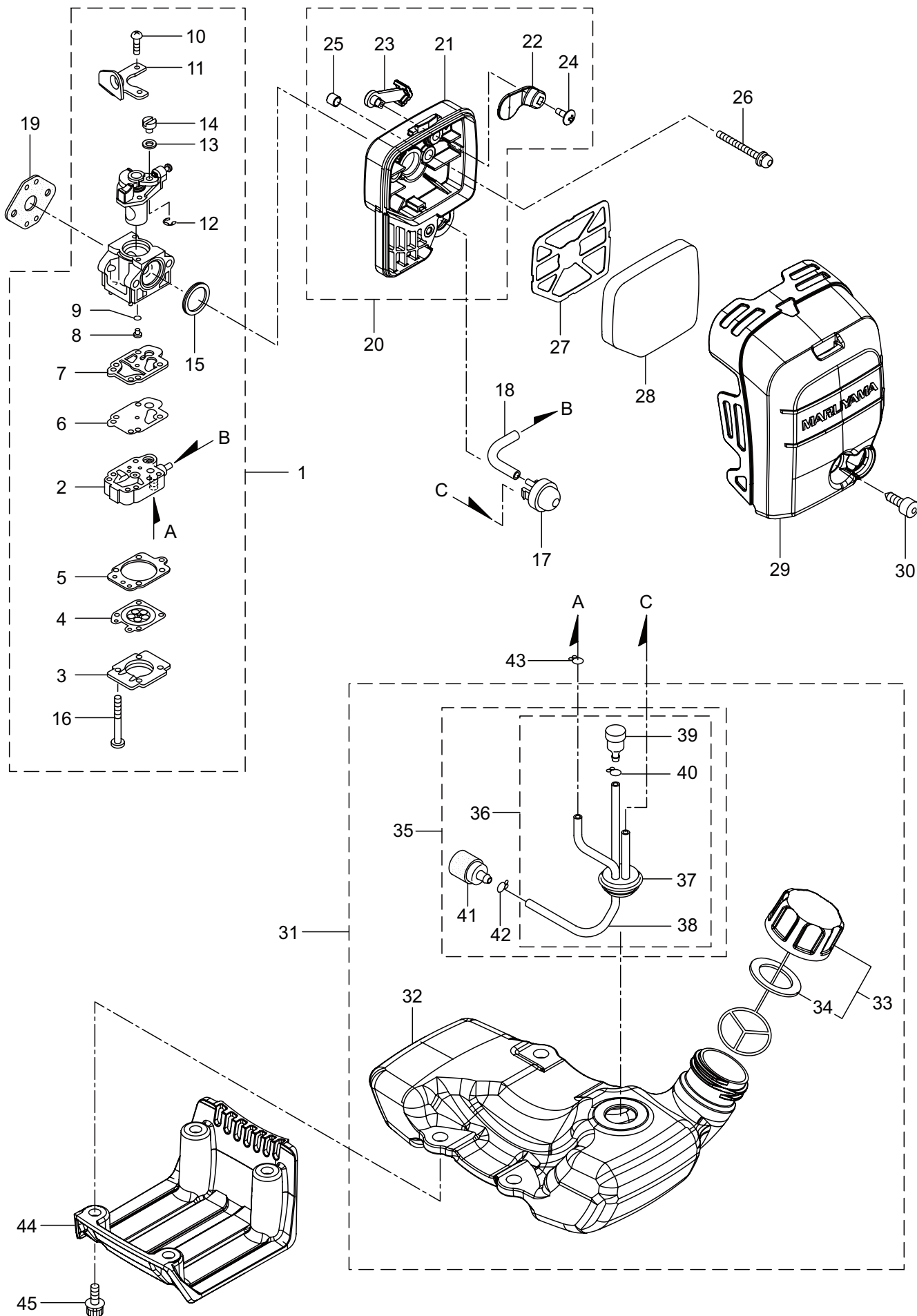
Ref. No.	Part No.	Part Name	Q'ty	Remarks
3-46	288264	Spark Plug	1	BPMR8Y
3-47	286988	Grommet	1	
3-48	269722	Lead	1	
3-49	284541	Wire,Lead	1	
3-50	264588	Clamp	1	
3-51	563192	Label	1	
3-52	563609	Label	1	TOKYO JAPAN

4. MX36EH-B(1P)
RECOIL STARTER



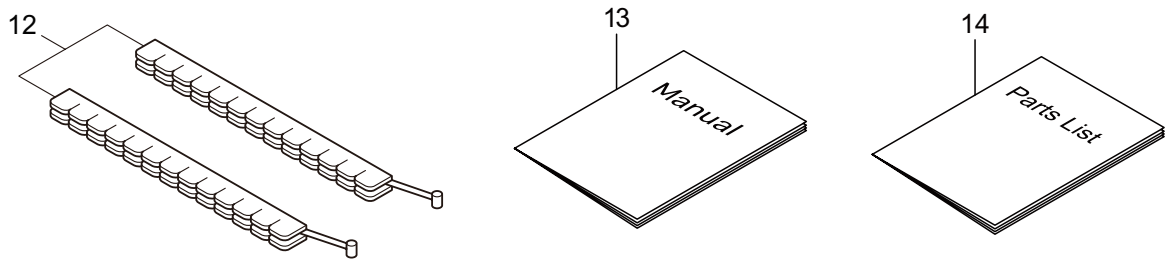
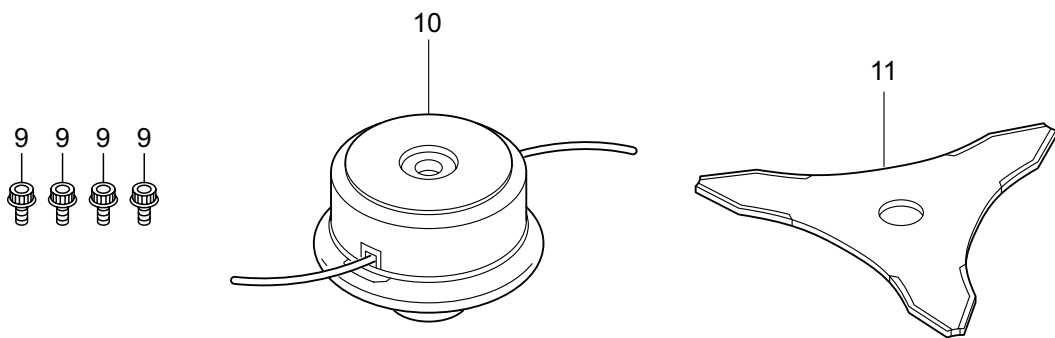
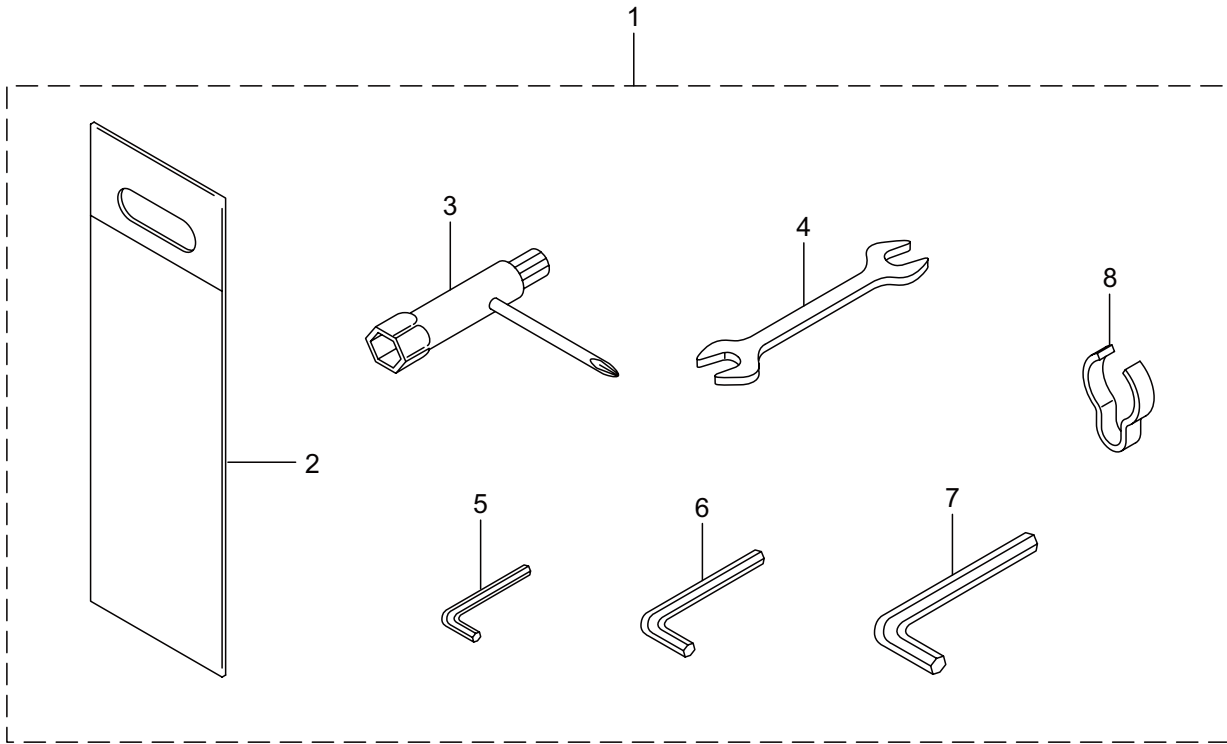
Ref. No.	Part No.	Part Name	Q'ty	Remarks
4-1	563607	Recoil Starter Ass'y	1	Incl.2-14
4-2	246299	Recoil Ass'y	1	Incl.3-9
4-3	279893	Reel	1	
4-4	279894	Spiral Spring	1	
4-5	279895	Screw	1	
4-6	246300	Rope Ass'y	1	Incl.7-9
4-7	246435	Starter Rope	1	
4-8	287651	Starter Grip	1	
4-9	283511	Rope Stopper	1	
4-10	261421	Starter Pawl Ass'y	1	Incl.11-14
4-11	261726	Pawl Case	1	
4-12	261727	Pawl	1	
4-13	261728	Return Spring	1	
4-14	020299	E-Ring	1	#4
4-15	285736	Nut	1	M8
4-16	281211	Cap Screw	4	M4x20
4-17	563601	Label	1	

5. MX36EH-B(1P)
CARBURETOR, FUEL TANK



Ref. No.	Part No.	Part Name	Q'ty	Remarks
5-1	246167	Carburetor Ass'y	1	Incl.2-16
5-2	246365	Pump Body	1	
5-3	263726	Cover Plate	1	
5-4	283905	Diaphragm, Meterring	1	
5-5	263727	Gasket	1	
5-6	262994	Diaphragm,Fuel Pump	1	
5-7	282576	Gasket	1	
5-8	246467	Main Jet	1	
5-9	261871	O-Ring	1	
5-10	261875	Screw	2	
5-11	264677	Bracket	1	
5-12	261876	E-Ring	1	
5-13	264678	Washer	1	
5-14	261658	Swivel	1	
5-15	261657	Packing	1	
5-16	263737	Screw	4	
5-17	282299	Pump	1	
5-18	279839	Pipe	1	
5-19	262587	Gasket	1	
5-20	279778	Case Ass'y	1	Incl.21-25
5-21	279779	Case Body	1	
5-22	279840	Valve	1	
5-23	279841	Lever	1	
5-24	269032	Screw	1	
5-25	279848	Sleeve	2	
5-26	262720	Cap Screw	2	M5x55
5-27	279783	Plate	1	
5-28	279784	Element	1	
5-29	279786	Cleaner Cover	1	
5-30	286349	Knob	1	
5-31	563586	Fuel Tank Ass'y	1	Incl.32-42
5-32	279790	Fuel Tank	1	
5-33	275306	Fuel Tank Cap Ass'y	1	Incl.34
5-34	274875	Gasket	1	
5-35	563588	Fuel Pipe Pick-up Ass'y	1	Incl.36-42
5-36	246118	Fuel Pipe Ass'y	1	Incl.37-40
5-37	268065	Grommet	1	
5-38	262649	Fuel Pipe	1	
5-39	261590	Breather	1	
5-40	261117	Clip	1	
5-41	277887	Filter Ass'y	1	
5-42	563014	Clip	1	
5-43	563014	Clip	1	
5-44	279674	Stand	1	
5-45	268940	Screw	4	M5x18

6. MX36EH-B(1P)
ACCESSORIES



Ref. No.	Part No.	Part Name	Q'ty	Remarks
6-1	560620	Tool Set	1	Incl.2-8
6-2	560535	Tool Bag	1	
6-3	560536	Box Spanner	1	17X19X(+)
6-4	560537	Double-ended Wrench	1	8x10
6-5	560538	Wrench	1	3mm
6-6	560539	Wrench	1	4mm
6-7	560540	Wrench	1	5mm
6-8	560585	Wire Guide	2	
6-9	560542	Cap Screw	4	M6x20
6-10	234860	Nylon Head (L) 5	1	
6-11	227910	3-Teeth Blade	1	
6-12	560321	Blade Cover	1	
6-13	560773	Instruction Manual	1	
6-14	524945	Parts List	1	MX36EH-B(1P)