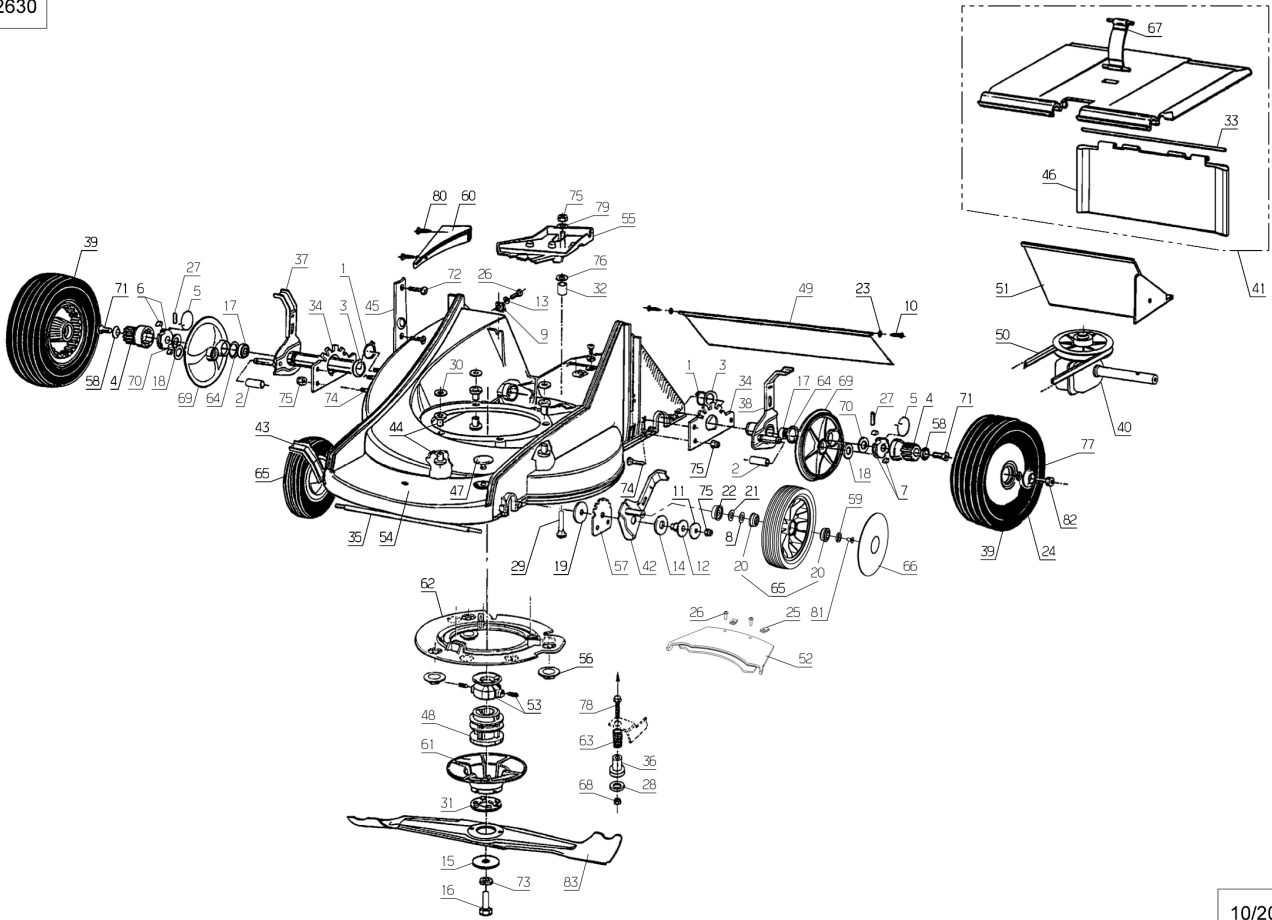


Number	Part Number	Name	Quantity
1	5016	EXT. TRUARC RING	1,000
2	5019	GUIDE RING	1,000
3	5067	WASHER BELLEVILLE	1,000
4	5323	GEAR	1,000
5	5329	CLICK SPRING	1,000
6	5733	FREE WHEEL RIGHT	1,000
7	5734	FREE WHEEL LEFT	1,000
8	6011	WASHER 12,2X23,2X1	1,000
9	6178	CLIP NUT	1,000
10	6187	SCREW	1,000
11	7035	FLAT WASHER	1,000
12	7047	SLEEVE	1,000
13	7094	FLAT WASHER	1,000
14	7330	WASHER	1,000
15	7341	FLAT WASHER 10,3X49	1,000
16	7342	BOLT 3/8 - 24	1,000
17	9022	BALL BEARING 6002	1,000
18	9034	NYLON WASHER	1,000
19	20021	WASHER 8,5X40X4	1,000
20	20533	BEARING DIAM.12	1,000
21	20536	CRINKLE WASHER	1,000
22	20537	WHEEL RING	1,000
23	20564	WASHER 5,5	1,000
24	21270	WASHER 6,4	1,000
25	21436	CLIPS NUT	1,000
26	21437	SCREW	1,000
27	21609	PIN 5X22	1,000
28	22029	FLAT WASHER 6,5	1,000
29	22031	SCREW 8X55	1,000
30	22065	WASHER 25X8,5X3	1,000
31	23002	SHEAR WASHER	1,000
32	23004	SPACER BELT COVER	1,000
33	23005	ROD	1,000
34	23025	INDEXED PLATE	1,000
35	23070	FRONT LINKING SHAFT	1,000
36	23075	SPRING SUPPORT	1,000
37	23244	CUT.H.R. 51 STD	1,000
38	23245	CUT.H.L.DISK RE 46	1,000
39	23276	WHEEL 46 TR GREEN	1,000
40	23279	DISC.GEARBOX46 ST	1,000
41	23414	DEFLECTOR GREEN CPL	1,000

Number	Part Number	Name	Quantity
42	23422	CUT.HEIGHT LEFT	1,000
43	23423	CUT.HEIGHT RIGHT	1,000
44	23604	INSULATION MUFF	1,000
45	23605	BLACK COVER	1,000
46	23607	DEFLECTOR QUARD 46	1,000
47	23615	CAP	1,000
48	23620	COUPLING D25	1,000
49	23626	DECK FLAP 46	1,000
50	23631	BELT SPZ 837 MM	1,000
51	23712	WHITE INTERFACE 46	1,000
52	23724	LOW COVER 46	1,000
53	23729	TAPERLOCK PULLEYD25	1,000
54	23810	46 CUT.DECK NM	1,000
55	23812	BELT COVER 46 WHITE	1,000
56	24005	ENGINE WASHER	1,000
57	24020	NOTCHED DISK	1,000
58	24067	WASHER	1,000
59	24132	SHAFT WASHER	1,000
60	24602	BASE PLATE BLACK	1,000
61	24618	COUPLING DISK	1,000
62	24626	THERM.PROTECT.4 H.	1,000
63	24647	SPRING	1,000
64	24692	SEALING WASHER	1,000
65	24810	WHEEL 180 + BEARING	1,000
66	24922	WHEEL FLASK 180 GR.	1,000
67	35567	STRAP	1,000
68	37561	NUT	1,000
69	43187	REAR WHEEL COVER TR	1,000
70	71016	WASHER 16X22X1	1,000
71	71021	SCREW FHC/90 M6X12	1,000
72	71048	BOLT EJ.PT KA40X10	1,000
73	71052	SPRING WASHER,DIN 1	1,000
74	71070	SCREW 8X30	1,000
75	71074	NUT HM8	1,000
76	71076	NUT VERBUS HM8	1,000
77	71096	WASHER B6,4	1,000
78	71135	SCREW 5X25	1,000
79	71187	WASHER A 8,4	1,000
80	71206	BOLT EJ.PT KA50X16	1,000
81	71222	SCREW FHC/90 6X12	1,000
82	71425	SCREW TH M6X14	1,000

Number	Part Number	Name	Quantity
83	PZ46E	BLADES FOR PRO 46CM	1,000

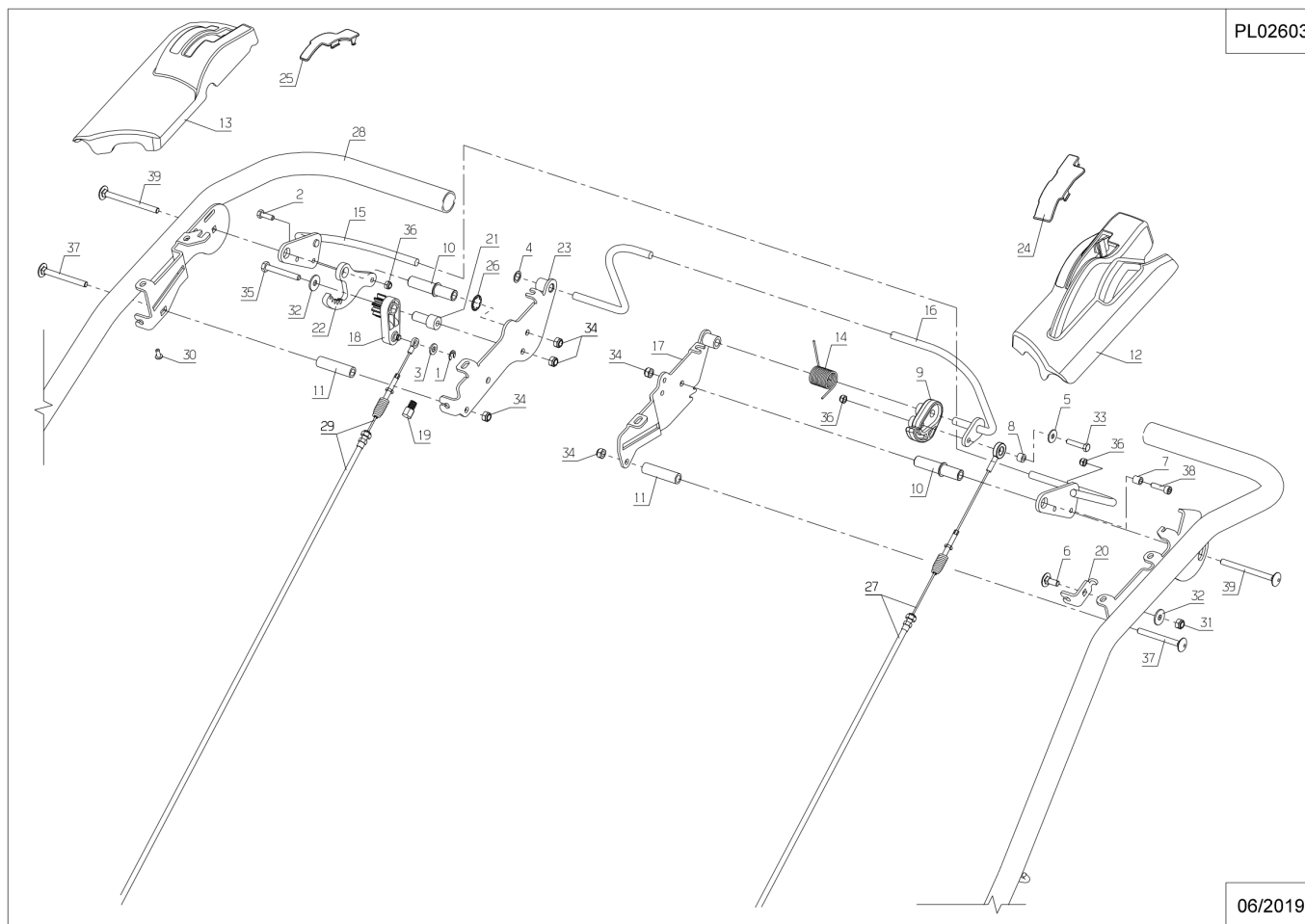
PL02630



10/2019

Number	Part Number	Name	Quantity
1	1540	CIRCLIP 5	1,000
2	2009	BOLT M5X16	1,000
3	2235	WASHER A6.4	1,000
4	7377	TRUARC COLLAR DIN 7	1,000
5	21481	WASHER	1,000
6	21608	SCREW 6X16 DIN	1,000
7	23029	KNUCKLE RING	1,000
8	35511	SPACER D9/D5,2X6	1,000
9	40539	LATCH	1,000
10	40545	SLIDER	1,000
11	40553	PLATE SPACER	1,000
12	40563	COVER	1,000
13	40564	COVER	1,000
14	40568	FEDER	1,000
15	40803	BOW	1,000
16	40810	BOW	1,000
17	40821	BRACKET	1,000
18	41512	DRIVING PIGNON	1,000
19	43090	TIGHENER ARM STOP	1,000
20	43558	STOP	1,000
21	50783	AXLE	1,000
22	50784	INDEXED PLATE	1,000
23	50831	BRACKET	1,000
24	50937	LEFT CLIP	1,000
25	50963	CLIP	1,000
26	51221	HOOK WASHER DIA.12	1,000
27	52040	ENGINE BRAKE CABLE	1,000
28	53687	HANDLEBAR	1,000
29	53716	DRIVE CABLE	1,000
30	71048	BOLT EJ.PT KA40X10	1,000
31	71201	NUT M6	1,000
32	71096	WASHER B6,4	1,000
33	71135	SCREW 5X25	1,000
35	71239	HEX.SCREW HM6X45	1,000
36	71308	LOCK NUT M5	1,000
37	71407	SCREW JM6-60	1,000
38	71408	SCREW CHC M5-20	1,000
39	71462	SCREW JM6-75	1,000

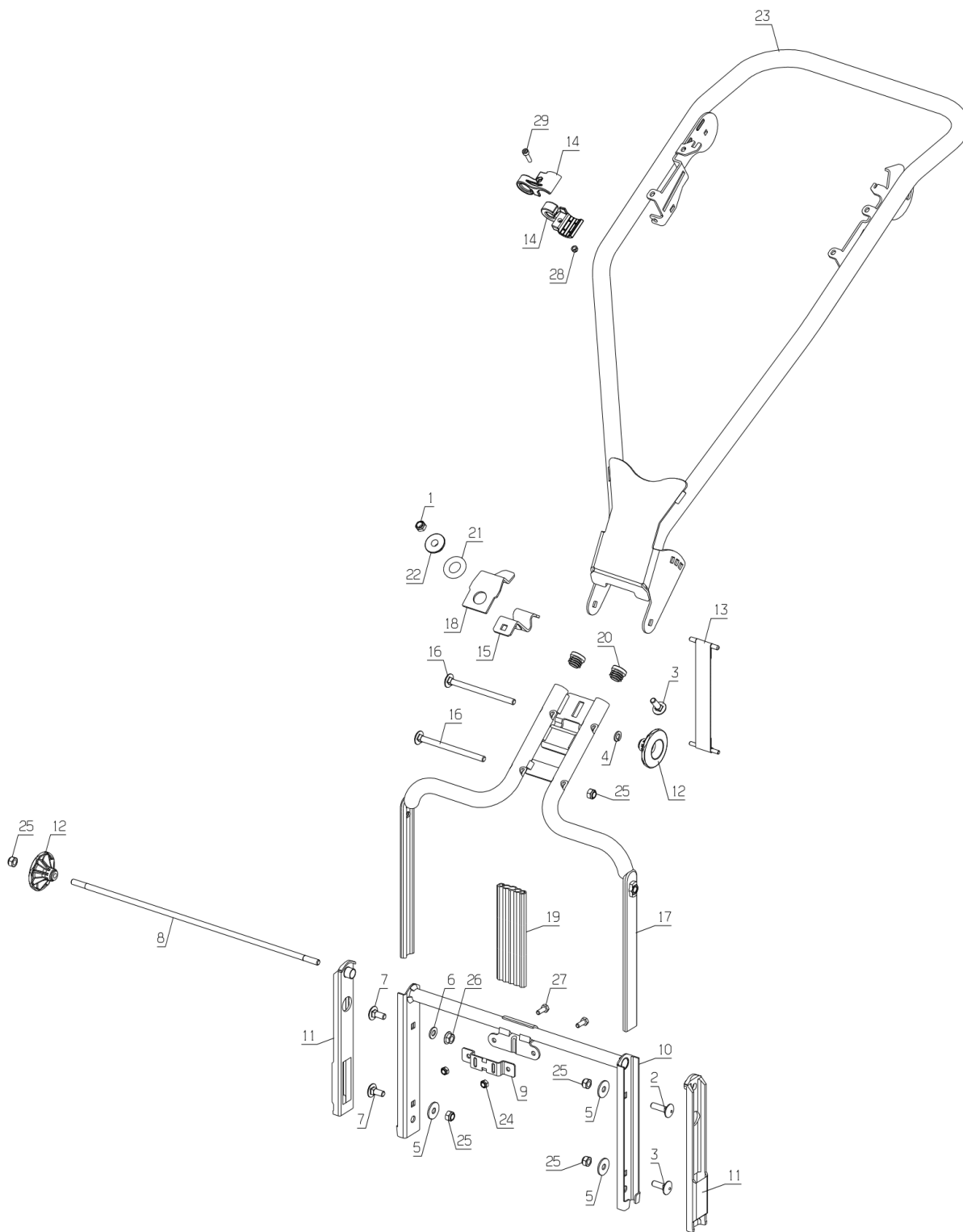
PL02603



06/2019

Number	Part Number	Name	Quantity
1	71205	SCREW M8	1,000
2	5041	BOLT 8X30	1,000
3	5347	SCREW 8X25	1,000
4	6416	WASHER	1,000
5	7035	FLAT WASHER	1,000
6	7335	WASHER	1,000
7	9071	SCREW M8X20	1,000
8	23014	LOCKING PIN	1,000
9	23041	RING	1,000
10	23303	TUBE + RAIL ASSY	1,000
11	23612	INSULATION	1,000
12	24610	BUTTON (SMALL)	1,000
13	35567	STRAP	1,000
14	36391	STARTER HALF BRACK.	1,000
15	36432	HOOK	1,000
16	37089	SCREW	1,000
17	37348	HANDLE BAR	1,000
18	37530	STOP	1,000
19	38604	CABLE PROTEC 240MM	1,000
20	41437	CAP 22X2,5	1,000
21	42088	O-RING 18X8	1,000
22	42092	BUSH	1,000
23	53687	HANDLEBAR	1,000
24	71201	NUT M6	1,000
25	71074	NUT HM8	1,000
26	71076	NUT VERBUS HM8	1,000
27	71084	BOLT HM6X16 DIN 933	1,000
28	71308	LOCK NUT M5	1,000
29	71408	SCREW CHC M5-20	1,000

PL02600

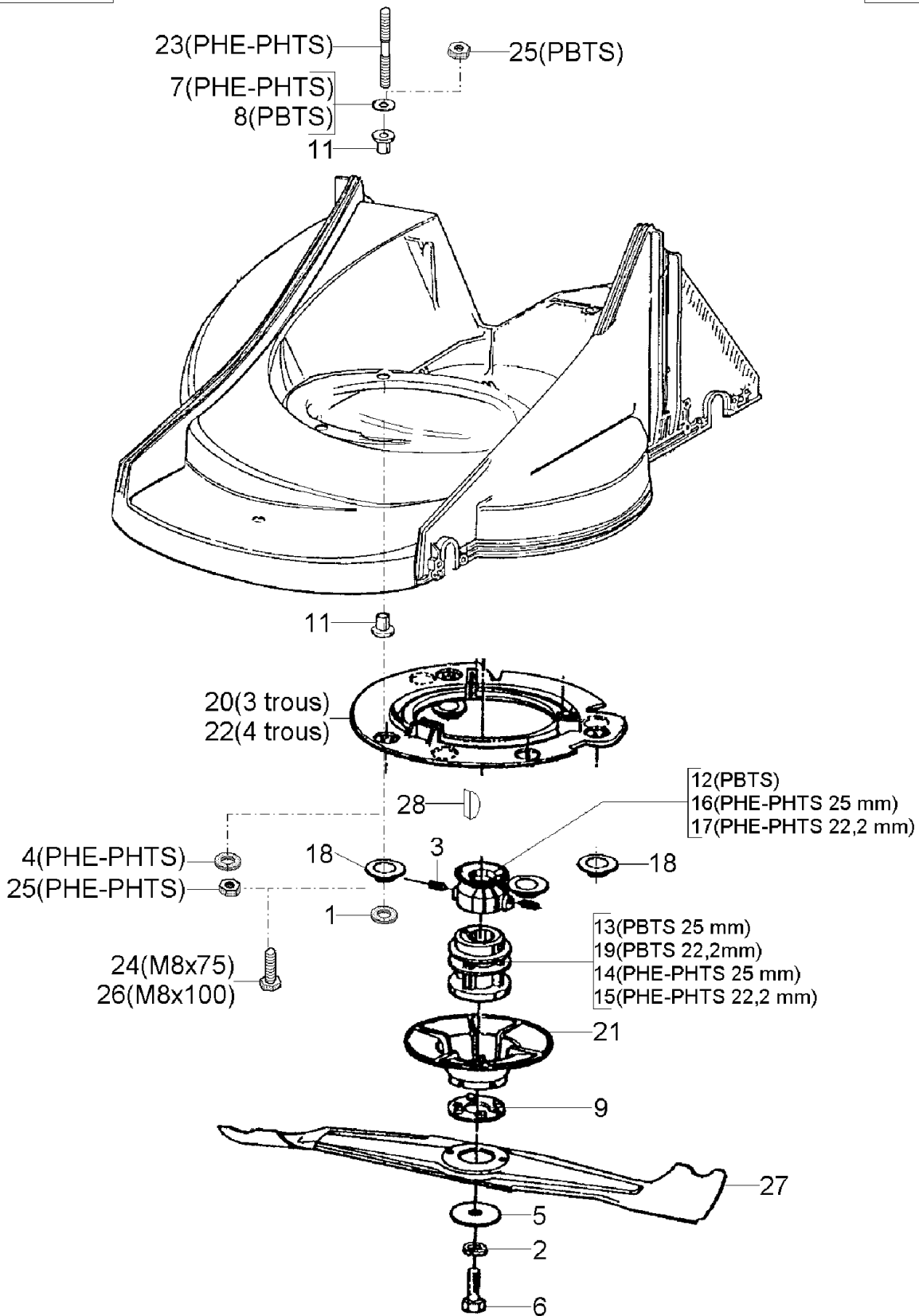


05/2019

Number	Part Number	Name	Quantity
1	2217	BOLT TRCC 8X16	1,000
2	71052	SPRING WASHER,DIN 1	1,000
3	5353	SCREW	1,000
4	7035	FLAT WASHER	1,000
5	7341	FLAT WASHER 10,3X49	1,000
6	7342	BOLT 3/8 - 24	1,000
7	22029	FLAT WASHER 6,5	1,000
8	22065	WASHER 25X8,5X3	1,000
9	23002	SHEAR WASHER	1,000
11	23604	INSULATION MUFF	1,000
12	23609	PULLEY DIA.46 NG46	1,000
13	23616	COUPLING 25 MM	1,000
14	23620	COUPLING D25	1,000
15	23636	COUPLING 22.2	1,000
16	23729	TAPERLOCK PULLEYD25	1,000
17	23730	PULLEY	1,000
18	24005	ENGINE WASHER	1,000
19	24616	THERMAL COUPL.22,2	1,000
20	24617	THERMAL PROTECTION	1,000
21	24618	COUPLING DISK	1,000
22	24626	THERM.PROTECT.4 H.	1,000
23	41427	STUD M10/M8X77	1,000
24	71067	HEXAG.SCREW HM8X75	1,000
25	71074	NUT HM8	1,000
26	71124	HEXAG.SCREW HM8X100	1,000
27	PZ46E	BLADES FOR PRO 46CM	1,000
28	7337	KEY	1,000

PBTS - PHE
PHTS

PL01130



09/2006

Number	Part Number	Name	Quantity
1	23925	COLLECT.LOWER PU46E	1,000
2	23926	COLLECT.UPPER PU46E	1,000
3	23927	GREEN DUST GARD	1,000
4	23904	COLLECTOR HANDLE 46	1,000
5	24991	-> 2X 24903	1,000
6	71164	STARLOCK TRIM	1,000
7	7335	WASHER	1,000
8	7094	FLAT WASHER	1,000
9	23253	FAN HOUSING NG46	1,000
10	21204	RIVET TP 4X7,9	1,000
11	24906	FOAM PADDING	1,000
12	23928	INDICATOR FILLING G	1,000

