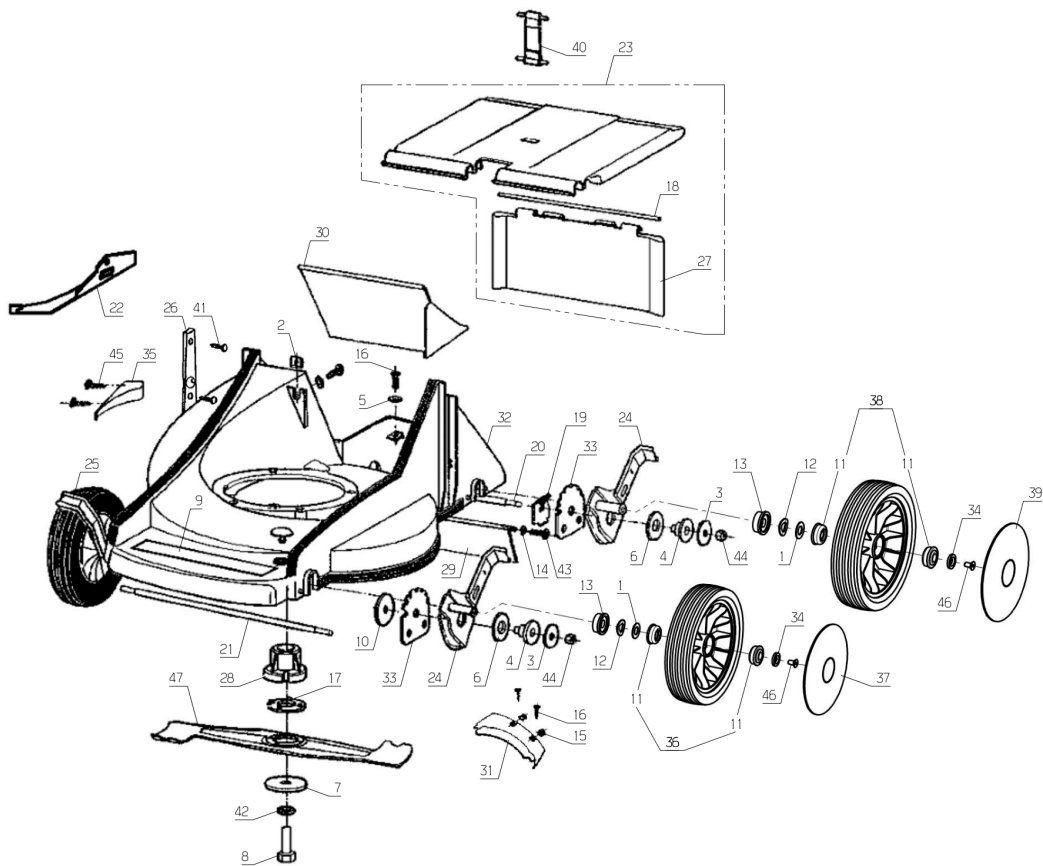


Number	Part Number	Name	Quantity
1	6011	WASHER 12,2X23,2X1	1,000
2	6178	CLIP NUT	1,000
3	7035	FLAT WASHER	1,000
4	7047	SLEEVE	1,000
5	7094	FLAT WASHER	1,000
6	7330	WASHER	1,000
7	7341	FLAT WASHER 10,3X49	1,000
8	7342	BOLT 3/8 - 24	1,000
9	12048	STICKER 26*4	1,000
10	20021	WASHER 8,5X40X4	1,000
11	20533	BEARING DIAM.12	1,000
12	20536	CRINKLE WASHER	1,000
13	20537	WHEEL RING	1,000
14	20564	WASHER 5,5	1,000
15	21436	CLIPS NUT	1,000
16	21437	SCREW	1,000
17	23002	SHEAR WASHER	1,000
18	23005	ROD	1,000
19	23034	REAR PLATE	1,000
20	23054	REAR LINKING SHAFT	1,000
21	23070	FRONT LINKING SHAFT	1,000
22	23252	CUT.DECK REINF.PBE	1,000
23	23414	DEFLECTOR GREEN CPL	1,000
24	23422	CUT.HEIGHT LEFT	1,000
25	23423	CUT.HEIGHT RIGHT	1,000
26	23605	BLACK COVER	1,000
27	23607	DEFLECTOR QUARD 46	1,000
28	23616	COUPLING 25 MM	1,000
29	23626	DECK FLAP 46	1,000
30	23712	WHITE INTERFACE 46	1,000
31	23724	LOW COVER 46	1,000
32	23810	46 CUT.DECK NM	1,000
33	24020	NOTCHED DISK	1,000
34	24132	SHAFT WASHER	1,000
35	24602	BASE PLATE BLACK	1,000
36	24810	WHEEL 180 + BEARING	1,000
37	24922	WHEEL FLASK 180 GR.	1,000
38	24926	WHEEL 200 BALL B.	1,000
39	24927	WHEEL FLANGE 200	1,000
40	35567	STRAP	1,000
41	71048	BOLT EJ.PT KA40X10	1,000

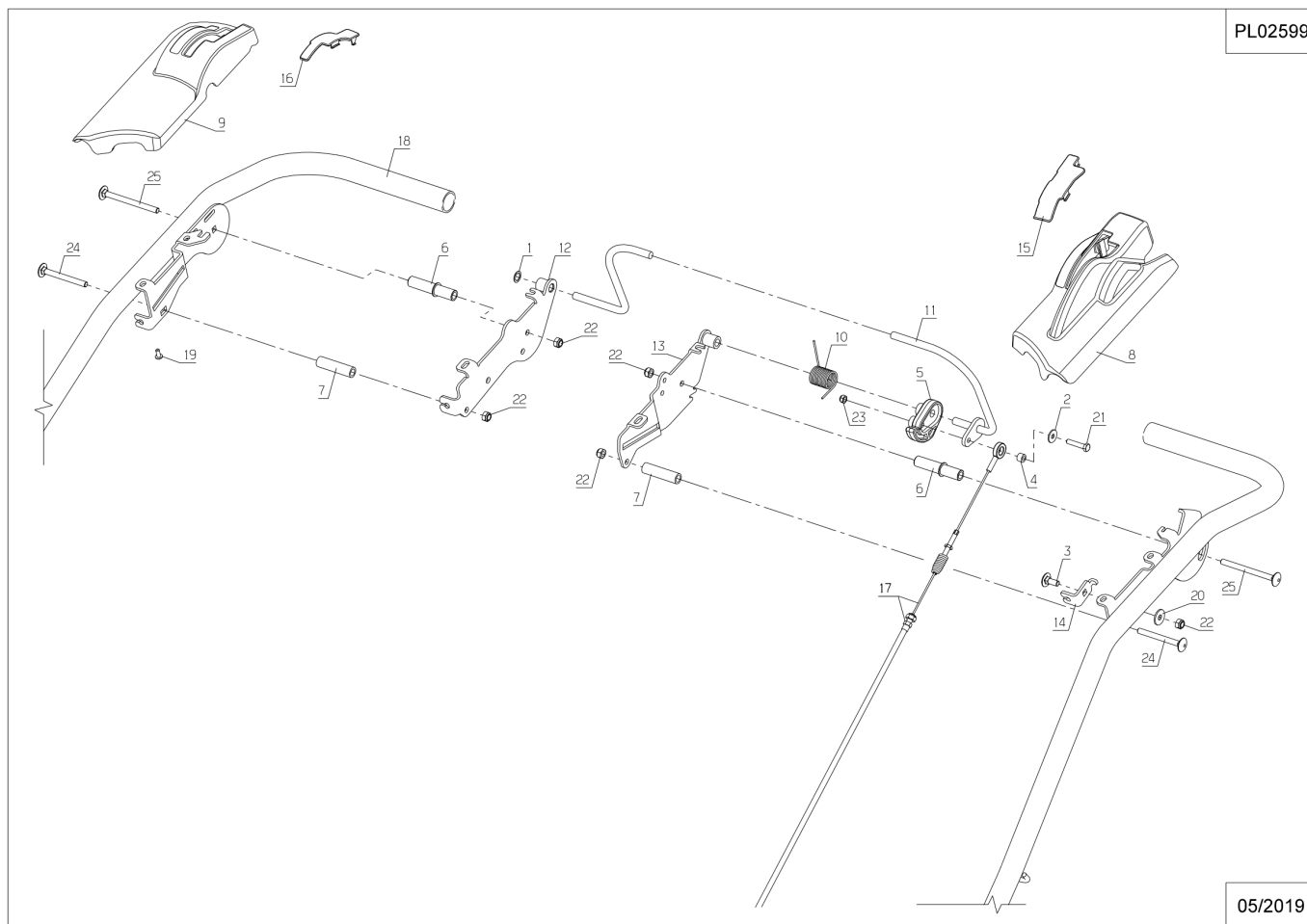
Number	Part Number	Name	Quantity
42	71052	SPRING WASHER,DIN 1	1,000
43	71086	TAPP.SCREW B4,2X13	1,000
44	71205	SCREW M8	1,000
45	71206	BOLT EJ.PT KA50X16	1,000
46	71222	SCREW FHC/90 6X12	1,000
47	PZ46E	BLADES FOR PRO 46CM	1,000

PL02629



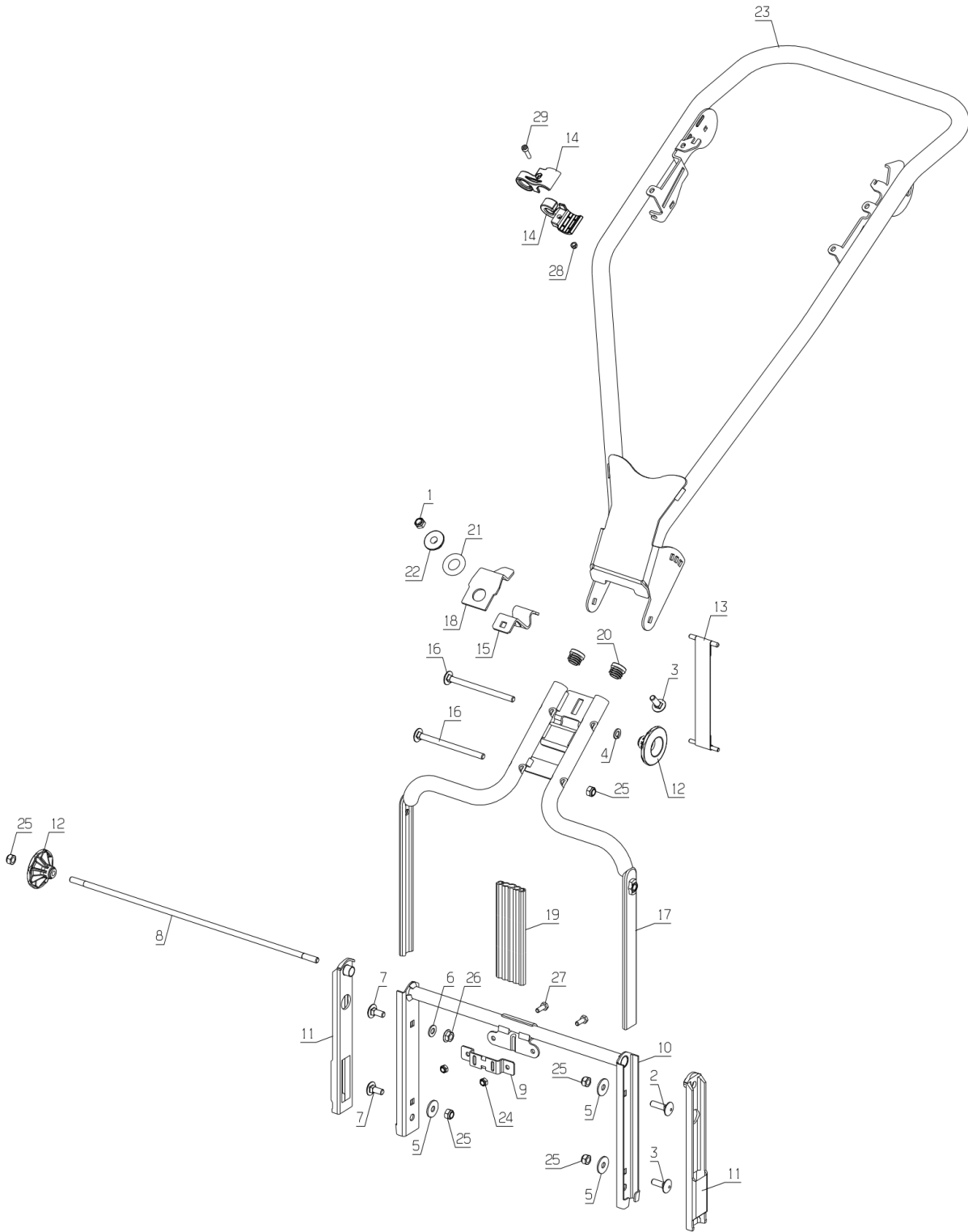
10/2019

Number	Part Number	Name	Quantity
1	7377	TRUARC COLLAR DIN 7	1,000
2	21481	WASHER	1,000
3	21608	SCREW 6X16 DIN	1,000
4	35511	SPACER D9/D5,2X6	1,000
5	40539	LATCH	1,000
6	40545	SLIDER	1,000
7	40553	PLATE SPACER	1,000
8	40563	COVER	1,000
9	40564	COVER	1,000
10	40568	FEDER	1,000
11	40810	BOW	1,000
12	40813	BRACKET	1,000
13	40821	BRACKET	1,000
14	43558	STOP	1,000
15	50937	LEFT CLIP	1,000
16	50963	CLIP	1,000
17	52040	ENGINE BRAKE CABLE	1,000
18	53687	HANDLEBAR	1,000
19	71048	BOLT EJ.PT KA40X10	1,000
20	71096	WASHER B6,4	1,000
21	71135	SCREW 5X25	1,000
22	71201	NUT M6	1,000
23	71308	LOCK NUT M5	1,000
24	71407	SCREW JM6-60	1,000
25	71462	SCREW JM6-75	1,000



Number	Part Number	Name	Quantity
1	71205	SCREW M8	1,000
2	5041	BOLT 8X30	1,000
3	5347	SCREW 8X25	1,000
4	6416	WASHER	1,000
5	7035	FLAT WASHER	1,000
6	7335	WASHER	1,000
7	9071	SCREW M8X20	1,000
8	23014	LOCKING PIN	1,000
9	23041	RING	1,000
10	23303	TUBE + RAIL ASSY	1,000
11	23612	INSULATION	1,000
12	24610	BUTTON (SMALL)	1,000
13	35567	STRAP	1,000
14	36391	STARTER HALF BRACK.	1,000
15	36432	HOOK	1,000
16	37089	SCREW	1,000
17	37348	HANDLE BAR	1,000
18	37530	STOP	1,000
19	38604	CABLE PROTEC 240MM	1,000
20	41437	CAP 22X2,5	1,000
21	42088	O-RING 18X8	1,000
22	42092	BUSH	1,000
23	53687	HANDLEBAR	1,000
24	71201	NUT M6	1,000
25	71074	NUT HM8	1,000
26	71076	NUT VERBUS HM8	1,000
27	71084	BOLT HM6X16 DIN 933	1,000
28	71308	LOCK NUT M5	1,000
29	71408	SCREW CHC M5-20	1,000

PL02600

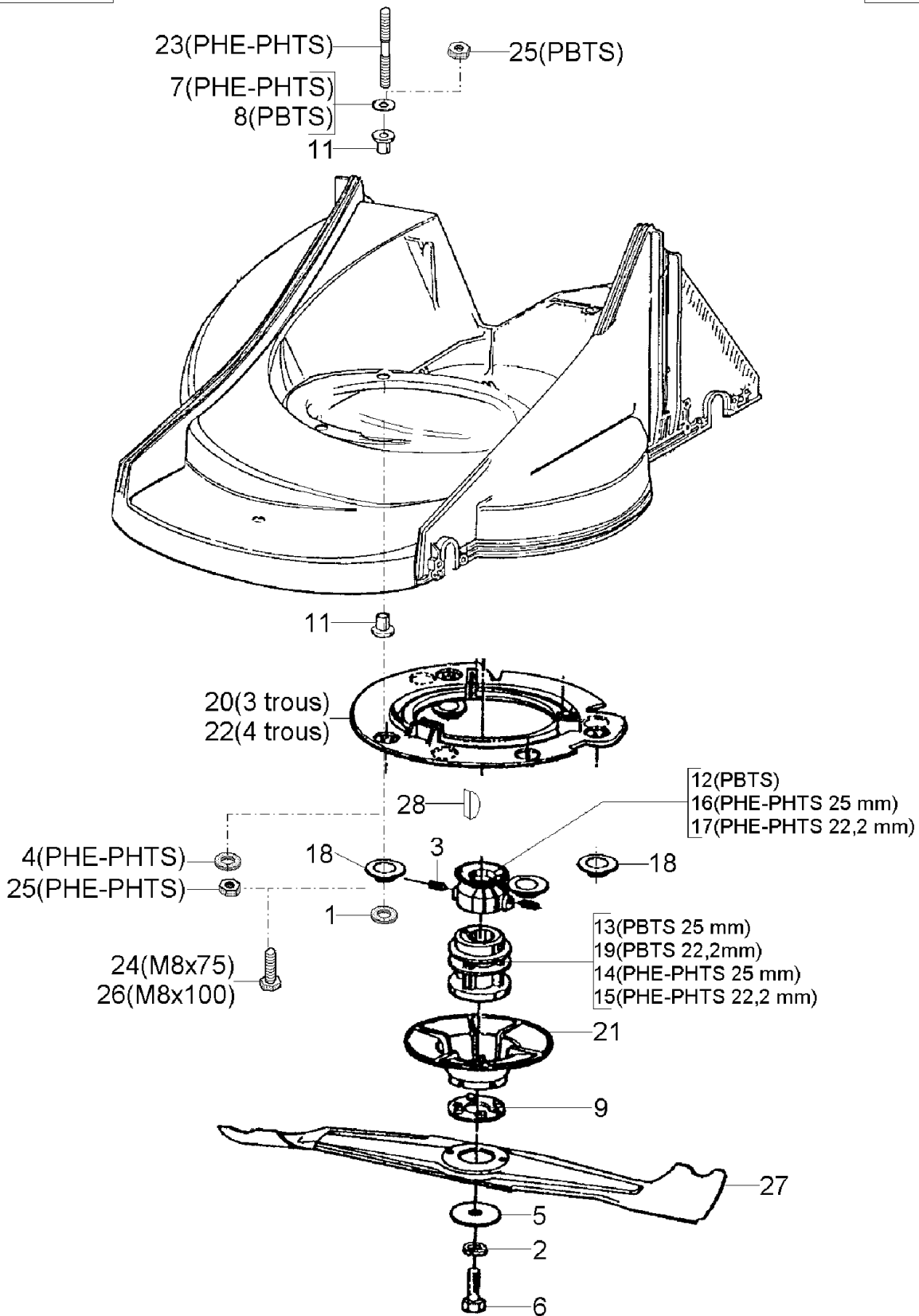


05/2019

Number	Part Number	Name	Quantity
1	2217	BOLT TRCC 8X16	1,000
2	71052	SPRING WASHER,DIN 1	1,000
3	5353	SCREW	1,000
4	7035	FLAT WASHER	1,000
5	7341	FLAT WASHER 10,3X49	1,000
6	7342	BOLT 3/8 - 24	1,000
7	22029	FLAT WASHER 6,5	1,000
8	22065	WASHER 25X8,5X3	1,000
9	23002	SHEAR WASHER	1,000
11	23604	INSULATION MUFF	1,000
12	23609	PULLEY DIA.46 NG46	1,000
13	23616	COUPLING 25 MM	1,000
14	23620	COUPLING D25	1,000
15	23636	COUPLING 22.2	1,000
16	23729	TAPERLOCK PULLEYD25	1,000
17	23730	PULLEY	1,000
18	24005	ENGINE WASHER	1,000
19	24616	THERMAL COUPL.22,2	1,000
20	24617	THERMAL PROTECTION	1,000
21	24618	COUPLING DISK	1,000
22	24626	THERM.PROTECT.4 H.	1,000
23	41427	STUD M10/M8X77	1,000
24	71067	HEXAG.SCREW HM8X75	1,000
25	71074	NUT HM8	1,000
26	71124	HEXAG.SCREW HM8X100	1,000
27	PZ46E	BLADES FOR PRO 46CM	1,000
28	7337	KEY	1,000

PBTS - PHE
PHTS

PL01130



09/2006

Number	Part Number	Name	Quantity
1	23925	COLLECT.LOWER PU46E	1,000
2	23926	COLLECT.UPPER PU46E	1,000
3	23927	GREEN DUST GARD	1,000
4	23904	COLLECTOR HANDLE 46	1,000
5	24991	-> 2X 24903	1,000
6	71164	STARLOCK TRIM	1,000
7	7335	WASHER	1,000
8	7094	FLAT WASHER	1,000
9	23253	FAN HOUSING NG46	1,000
10	21204	RIVET TP 4X7,9	1,000
11	24906	FOAM PADDING	1,000
12	23928	INDICATOR FILLING G	1,000

