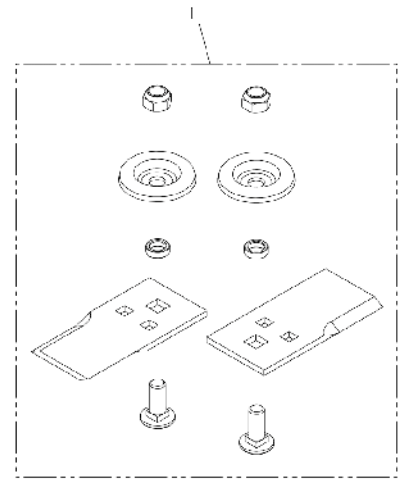
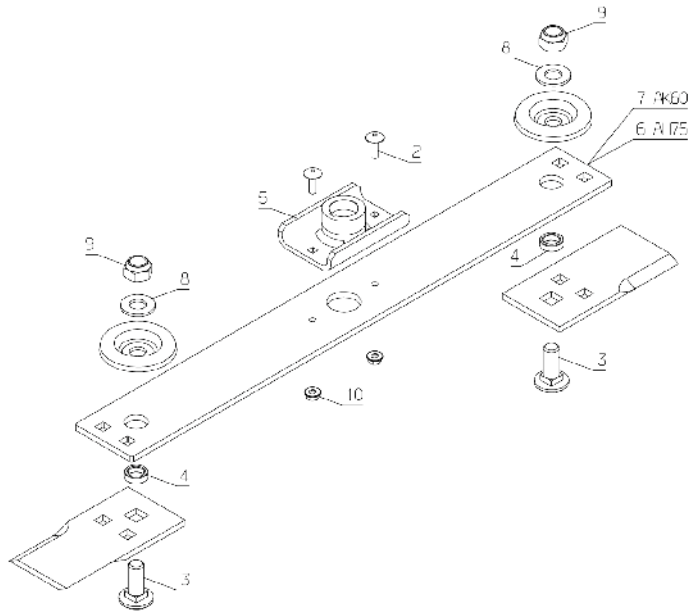


Number	Part Number	Name	Quantity
1	MC85	SWING TIP KIT	1,000
2	5347	SCREW 8X25	1,000
3	27166	SCREW M14X35	1,000
4	27266	KNIFE COLLAR	1,000
5	54924	BLADE COUPLING M8	1,000
6	54930	BLADE BODY 75CM	1,000
7	54931	BLADE BODY 60CM	1,000
8	71034	FLAT WASHER NFE 276	1,000
9	71053	HEXAG.NUT,DIN 985-8	1,000
10	71205	SCREW M8	1,000

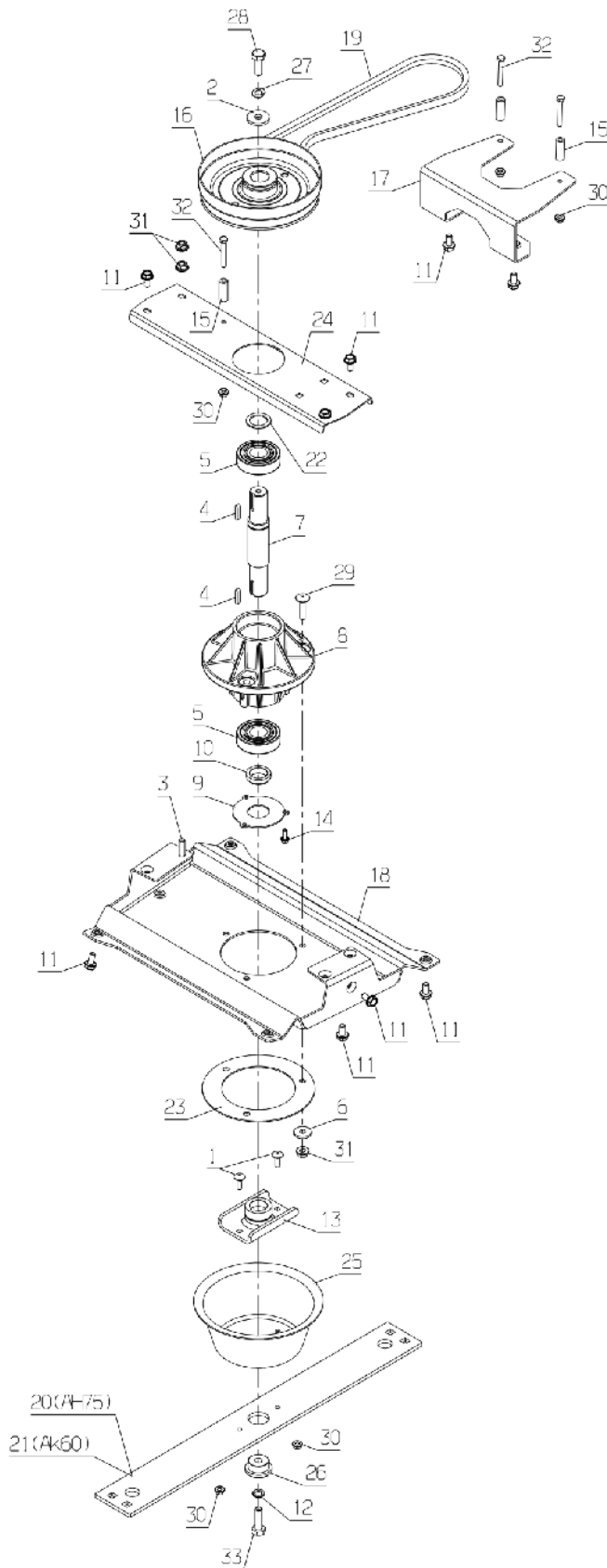
PL02602



05/2019

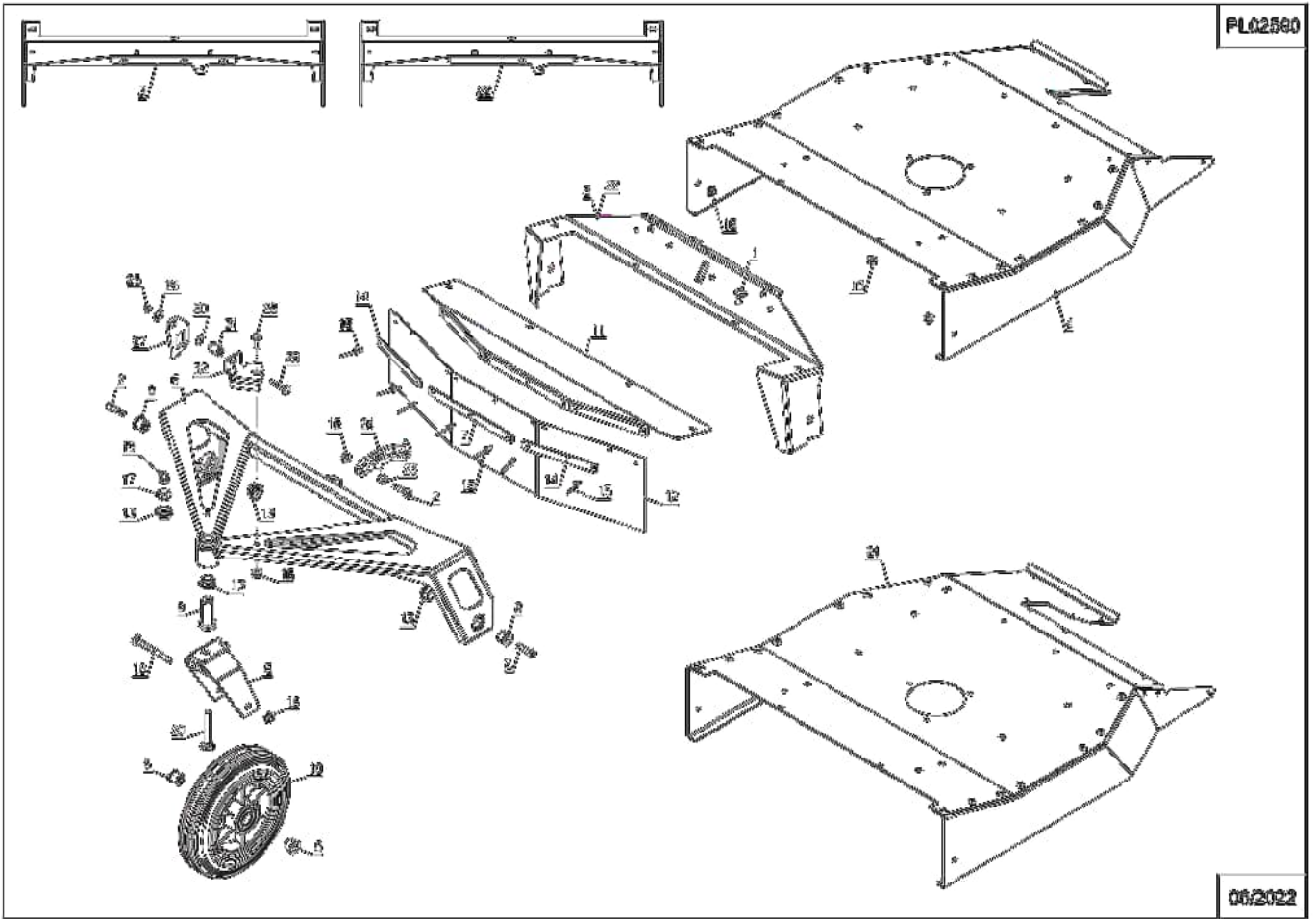
Number	Part Number	Name	Quantity
1	5347	SCREW 8X25	1,000
2	9009	WASHER	1,000
3	9061	BOLT 8X30	1,000
4	20602	KEY 5X5X25	1,000
5	21553	BEARING 6305-2RS	1,000
6	22065	WASHER 25X8,5X3	1,000
7	32315	BLADE SHAFT	1,000
8	32438	BEARING	1,000
9	35748	BEARING PROTECTION	1,000
10	36615	BUSH	1,000
11	37078	SCREW M8X16	1,000
12	37665	WASHER	1,000
13	54924	BLADE COUPLING M8	1,000
14	37996	SCREW HM5-16 8.8	1,000
15	42027	BUSH 12X6,5X32,5	1,000
16	42506	BLADE DRIVE PULLEY	1,000
17	50521	BELT GUIDE	1,000
18	50529	BRACKET	1,000
19	50532	BELT X13 1172	1,000
20	54930	BLADE BODY 75CM	1,000
21	54931	BLADE BODY 60CM	1,000
22	53498	WASHER	1,000
23	53500	PLATE	1,000
24	53501	REINFORCEMENT	1,000
25	54926	PROTECTION M8	1,000
26	53839	BLADE WASHER	1,000
27	71052	SPRING WASHER,DIN 1	1,000
28	71110	HEXAGON SCREW,DIN 9	1,000
29	71118	SCREW 8X35	1,000
30	71205	SCREW M8	1,000
32	71239	HEX.SCREW HM6X45	1,000
33	71242	HEX.SCREW HM10X35	1,000

PL02596



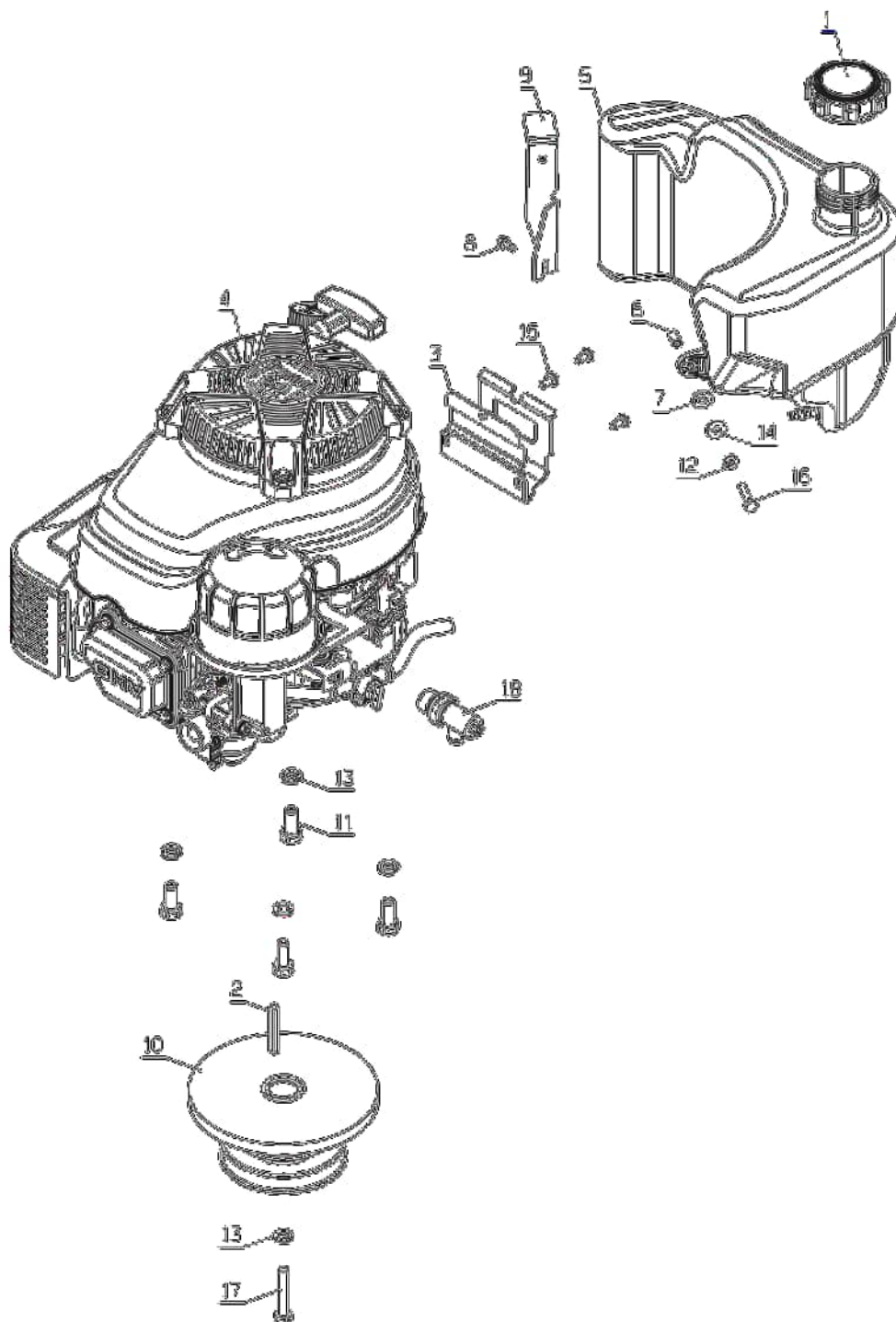
07/2019

Number	Part Number	Name	Quantity
1	9071	SCREW M8X20	1,000
2	35433	SCREW M8-30,8.8	1,000
3	50508	REINFORCEMENT AK60	1,000
4	50700	CUTTING DECK 60CM	1,000
5	52739	WHEEL BRACKET	1,000
6	53384	FRONT WHEEL BRACKET	1,000
7	53493	RUBBER FLAPPER FIX.	1,000
8	53497	SHAFT	1,000
9	53510	SHAFT	1,000
10	53511	WHEEL	1,000
11	53553	RUBBER FLAPPER FIX.	1,000
12	53554	RUBBER FLAPPER	1,000
13	53556	BEARING BUSH	1,000
14	53775	RUBBER FLAPPER FIX.	1,000
15	71112	DIA.4X18 STAR RIVET	1,000
16	71205	SCREW M8	1,000
17	71238	WASHER A10,2	1,000
18	71297	SCREW M8X90 8,8	1,000
19	71374	CAP NUT M10	1,000
20	71445	SCREW J M10-75	1,000
21	54431	CUTTING DECK 60	1,000
22	54356	FRONT REINFORC. 60	1,000
23	42043	BUSH 15X8,5X10	1,000
24	53494	CUT.HEIGHT ADJUST.	1,000
25	71201	NUT M6	1,000
26	22029	FLAT WASHER 6,5	1,000
27	55094	WHEEL LOCK 60	1,000
28	71413	SCREW HM 8-20	1,000
29	71360	BOLT M6X40	1,000
30	20561	CURLED WASHER A10	1,000
31	53513	WHEEL LOCK SPACER	1,000
32	55095	LOCK PLATE	1,000



Number	Part Number	Name	Quantity
1	35904	PLUG	1,000
2	36426	KEY B6.35	1,000
3	39661	TANK BRACKET	1,000
4	43104	KAWA ENGINE FJ180V	1,000
5	50627	TANK	1,000
6	52046	SPACER	1,000
7	52054	WASHER	1,000
8	53240	SCREW HM6 12,8,8 AF	1,000
9	53314	TANK BRACKET	1,000
10	53394	DOUBLE PULLEY	1,000
11	70086	HEXAGON SCREW,DIN 9	1,000
12	71049	SPRING WASHER,DIN 1	1,000
13	71052	SPRING WASHER,DIN 1	1,000
14	71096	WASHER B6,4	1,000
15	71271	SCREW EJ-PT DG60X12	1,000
16	71333	H.SCREW M6X30 8.8	1,000
17	71449	SCREW H UNF 3/8"-2"	1,000
18	36026	COCK	1,000

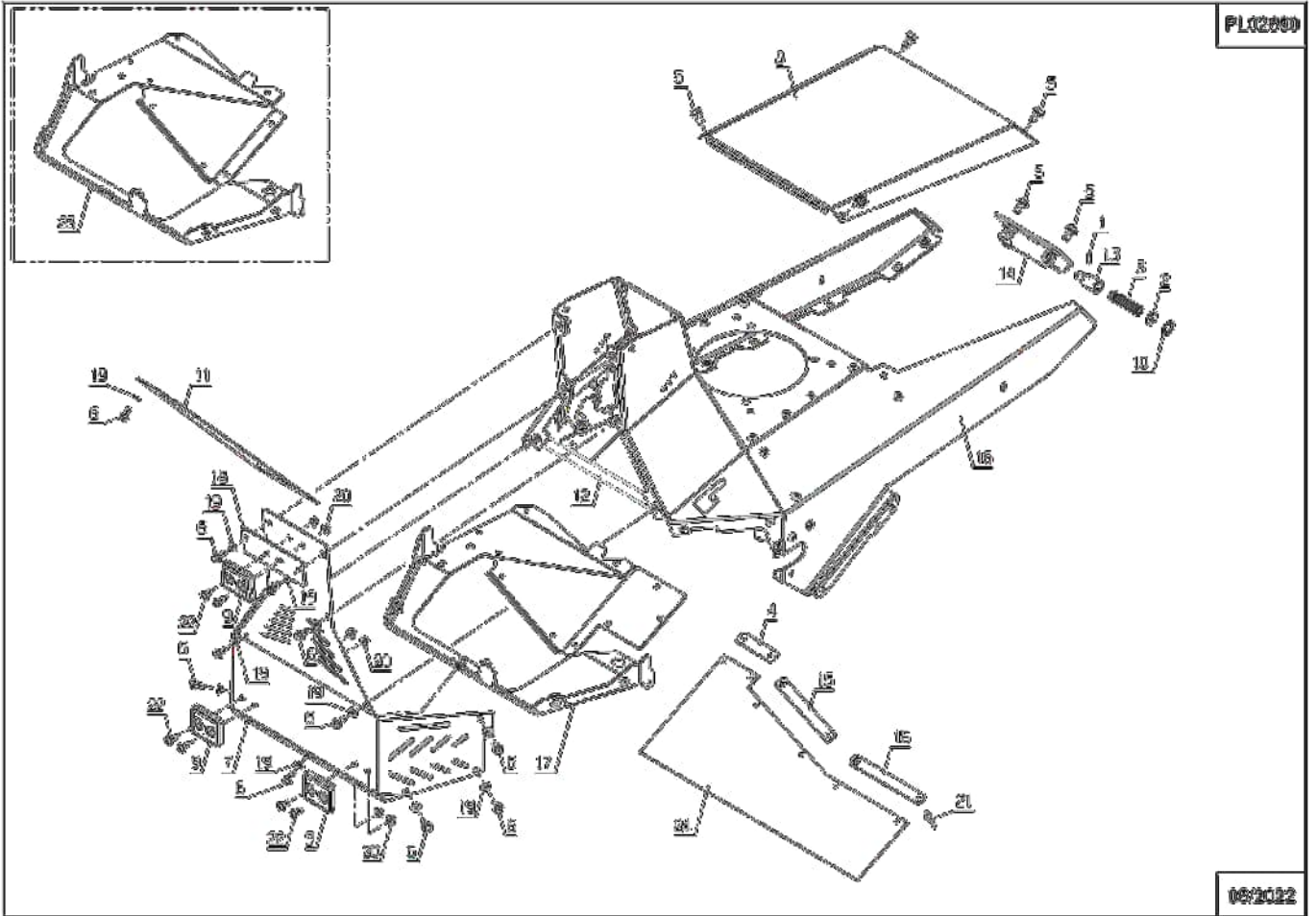
PL02568



06/2022

Number	Part Number	Name	Quantity
1	20556	PIN 3X15	1,000
2	22029	FLAT WASHER 6,5	1,000
3	24609	SPRING	1,000
4	36793	RUB.FLAP.FIX.PLATE	1,000
5	37078	SCREW M8X16	1,000
6	37997	SCREW HM6-16 8.8	1,000
7	50576	TRANSMISSION COVER	1,000
8	50580	COVER	1,000
9	52453	RUBBER STOP	1,000
10	53441	CIRCLIP 22X1	1,000
11	53442	COVER	1,000
12	53443	REAR REINFORC.	1,000
13	53496	LOCK	1,000
14	53534	CUTTING HGT ADJUST	1,000
15	53775	RUBBER FLAPPER FIX.	1,000
16	54358	FRAME	1,000
17	54494	TRANSMISSION PROT.	1,000
18	54923	REINFORCING PLATE	1,000
19	71075	WASHER	1,000
20	71201	NUT M6	1,000
21	71241	NAIL RIVET 4,8X10,5	1,000
22	71361	SCREW RL X M6X16	1,000
24	53715	RUBBER FLAPPER	1,000

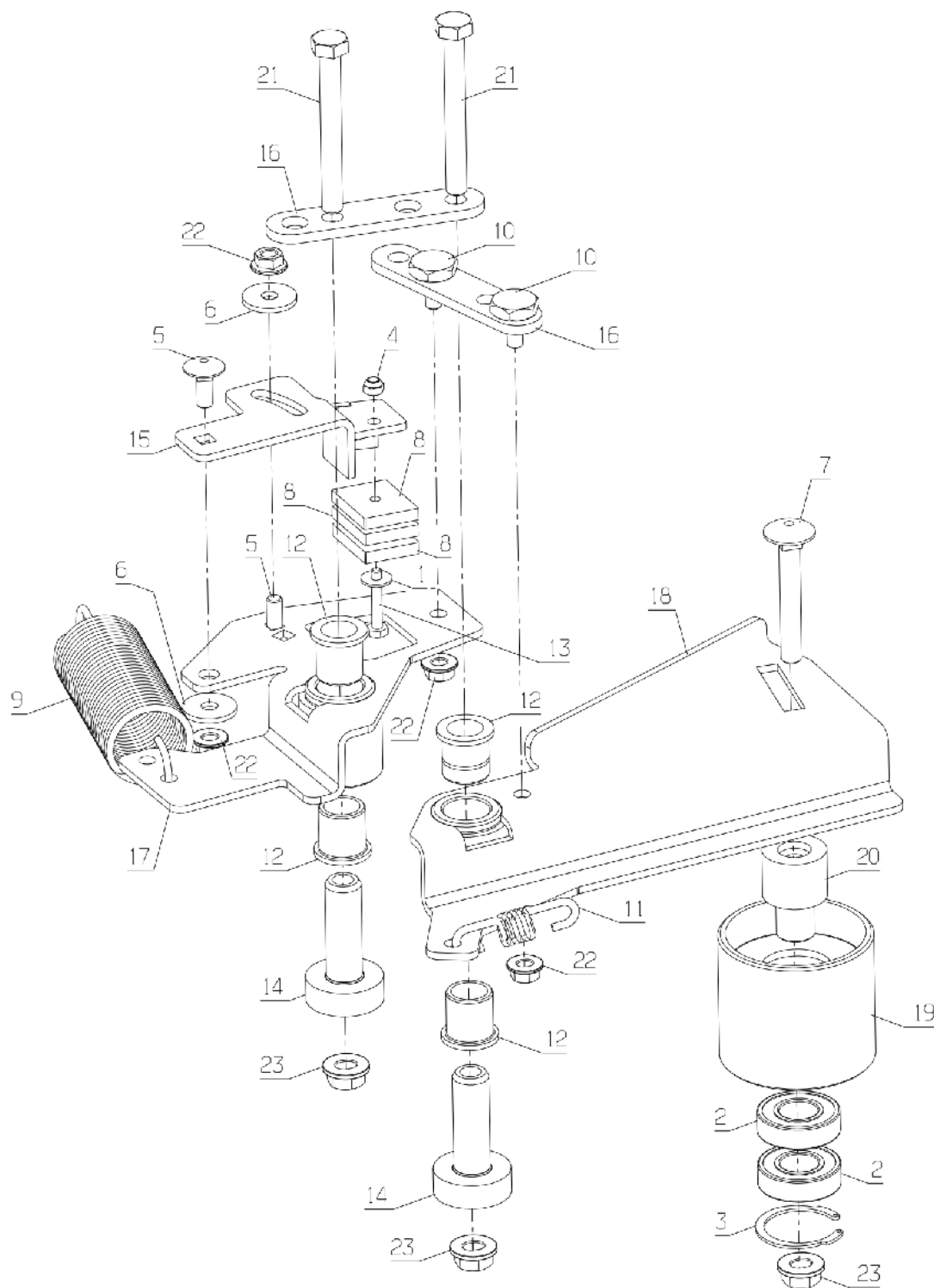
PL02000



06/2022

Number	Part Number	Name	Quantity
1	7094	FLAT WASHER	1,000
2	9022	BALL BEARING 6002	1,000
3	21256	CIRCLIP	1,000
4	21525	NUT HM4	1,000
5	21608	SCREW 6X16 DIN	1,000
6	22029	FLAT WASHER 6,5	1,000
7	22031	SCREW 8X55	1,000
8	24835	BRAKE PAD	1,000
9	25425	COMPENSATION SPRING	1,000
10	28137	CATCH BOLT SP.SCREW	1,000
11	29225	BRAKE SPRING	1,000
12	37059	BUSH JFM 141822-20	1,000
13	50005	SCREW HM4-25	1,000
21	71068	HEXAGON SCREW,DIN 9	1,000
22	71201	NUT M6	1,000
23	71205	SCREW M8	1,000

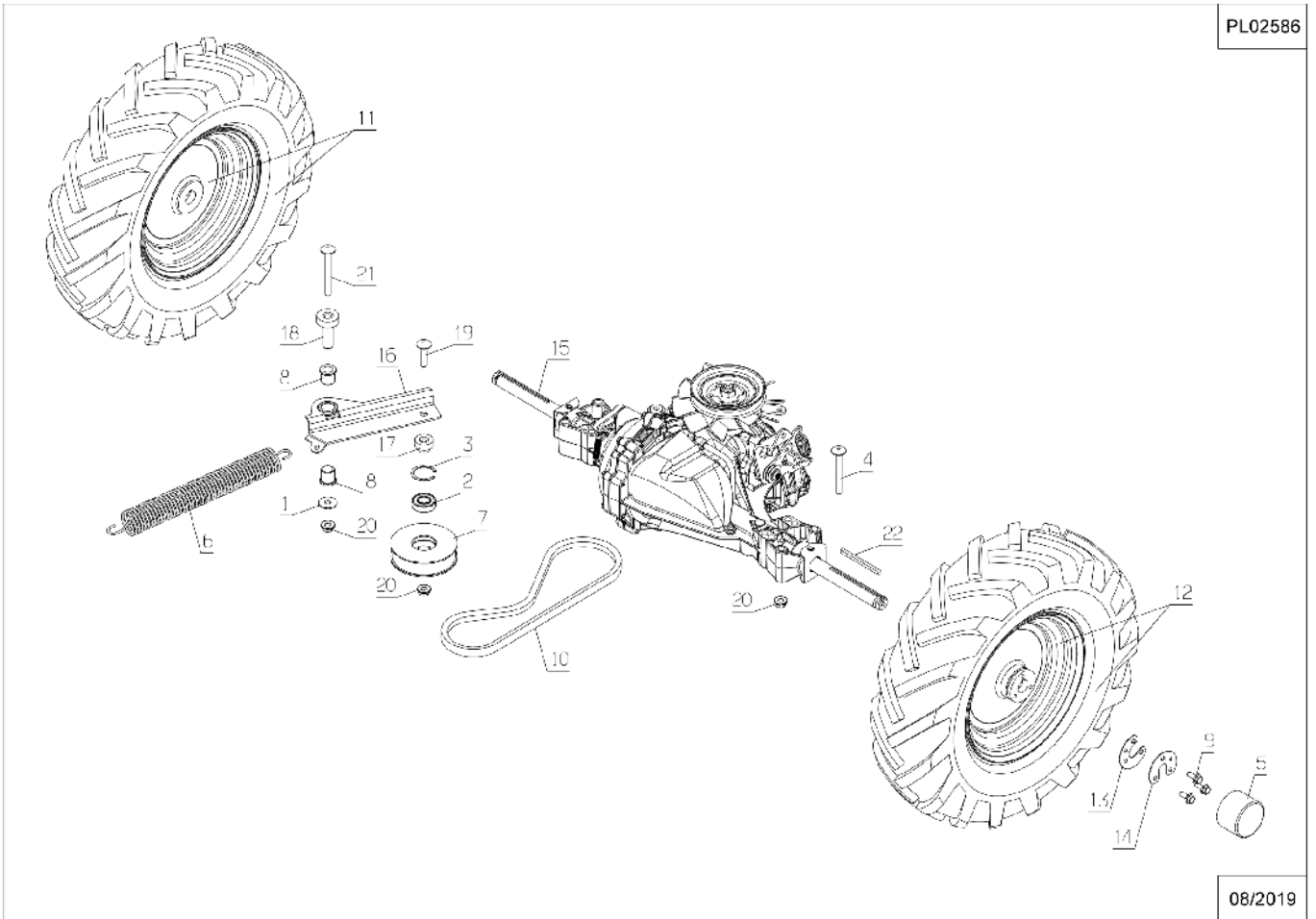
PL02597



07/2019

Number	Part Number	Name	Quantity
1	7035	FLAT WASHER	1,000
2	9022	BALL BEARING 6002	1,000
3	21256	CIRCLIP	1,000
4	21512	SCREW JAPY M8X70	1,000
5	25176	WHEEL CAP	1,000
6	25425	COMPENSATION SPRING	1,000
7	35141	TENSIONNER PULLEY	1,000
8	37059	BUSH JFM 141822-20	1,000
9	37997	SCREW HM6-16 8.8	1,000
10	39810	BELT	1,000
11	50522	RIGHT REAR WHEEL	1,000
12	50523	LEFT REAR WHEEL	1,000
13	52174	SECURING RING	1,000
14	52175	SECURING RING	1,000
15	53444	GEARBOX T3 DIF.LOCK	1,000
16	53448	TENSIONNER	1,000
17	53449	SPACER	1,000
18	53450	KNOCKLE	1,000
19	71118	SCREW 8X35	1,000
20	71205	SCREW M8	1,000
21	71332	SCREW M8X75 8.8	1,000
22	71418	KEY 4,76X4,76X75	1,000

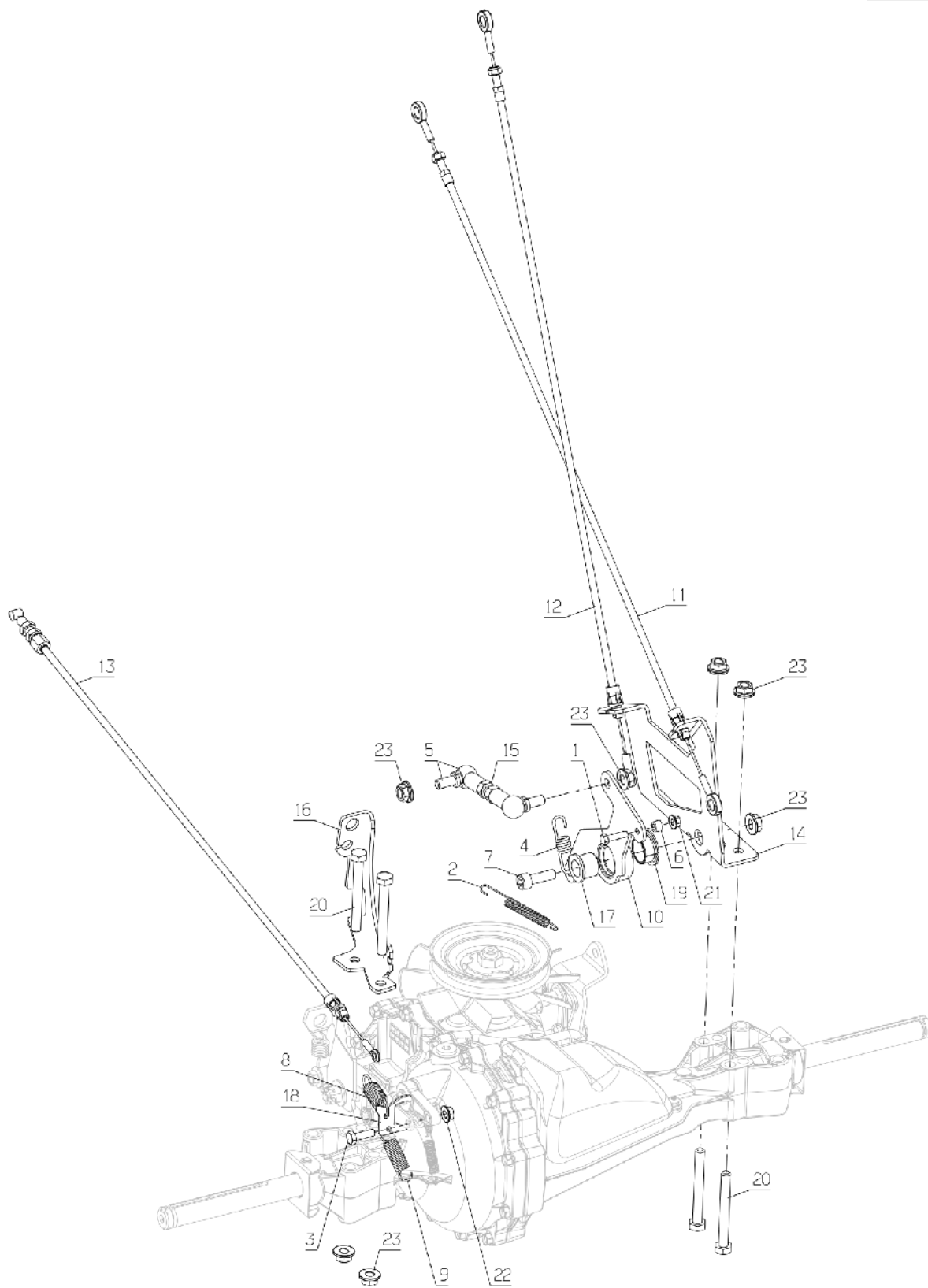
PL02586



08/2019

Number	Part Number	Name	Quantity
1	5071	BOLT HM 5X20	1,000
2	5203	RETURN SPRING	1,000
3	20507	BOLT HM 6X20	1,000
4	24838	SPRING	1,000
5	28234	KNUCKLE M8	1,000
6	35511	SPACER D9/D5,2X6	1,000
7	35735	SCREW CHC M8	1,000
8	41061	TENSION SPRING	1,000
9	42591	DRIVE PLATE SPRING	1,000
10	53383	KNOCKLE	1,000
11	53412	CABLE REVERSE DRIVE	1,000
12	53413	CABLE FORWARD DRIVE	1,000
13	53415	CABLE DIFF.LOCK	1,000
14	53455	BRACKET	1,000
15	53456	STUD	1,000
16	53460	BRACKET	1,000
17	53497	SHAFT	1,000
18	53535	Nouvelle pièce	1,000
19	53556	BEARING BUSH	1,000
20	71068	HEXAGON SCREW,DIN 9	1,000
21	71200	SCREW M5	1,000
22	71201	NUT M6	1,000
23	71205	SCREW M8	1,000

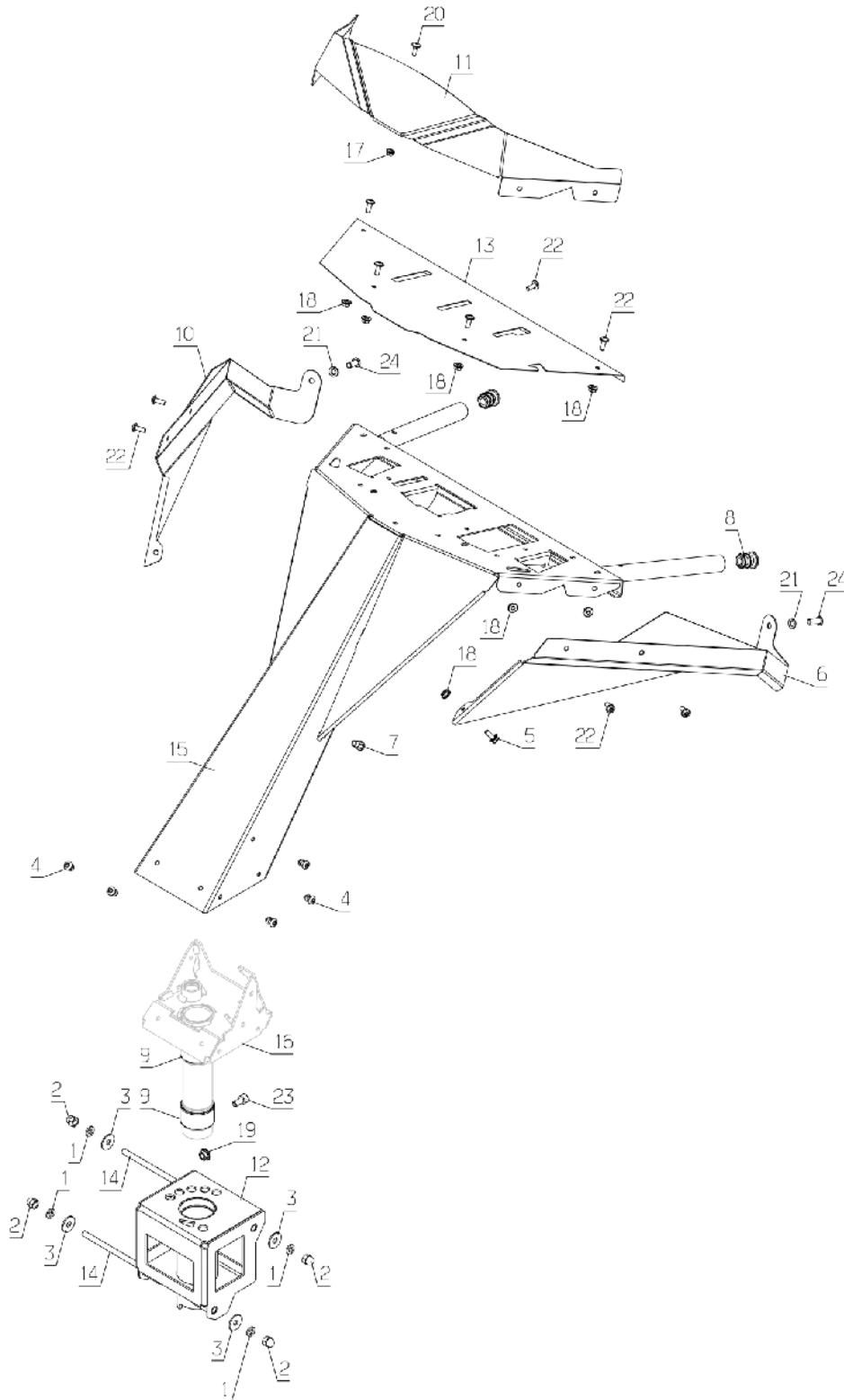
PL02598



08/2019

Number	Part Number	Name	Quantity
1	71343	SPRING WASHER A8	1,000
2	5043	NUT	1,000
3	7035	FLAT WASHER	1,000
4	28738	BOLT	1,000
5	37997	SCREW HM6-16 8.8	1,000
6	50513	LEFT PROTECTION	1,000
7	53370	INSERT	1,000
8	53411	INSERT	1,000
9	53430	BUSH	1,000
10	53467	RIGHT PROTECTION	1,000
11	53468	LEFT PROTECTION	1,000
13	53476	PLATE	1,000
14	53477	THREAD STUD	1,000
15	53772	UPPER HANDLE BAR	1,000
17	71200	SCREW M5	1,000
18	71201	NUT M6	1,000
19	71205	SCREW M8	1,000
20	71231	SCREW JM5-16	1,000
22	71361	SCREW RL X M6X16	1,000
23	71372	IN.HEX.SCREW M8X16	1,000
24	71373	SCREW M8X20	1,000

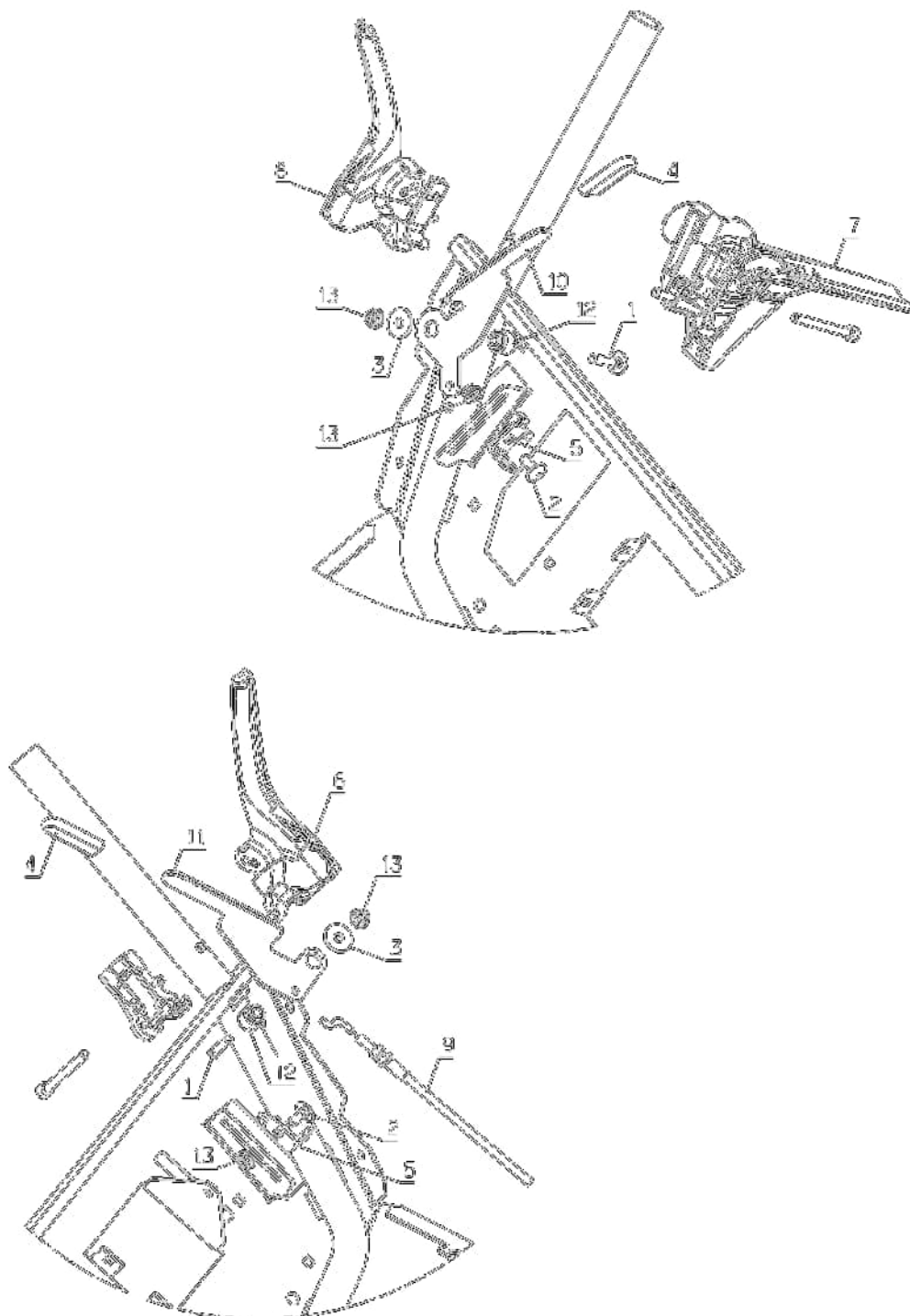
PL02589



08/2019

Number	Part Number	Name	Quantity
1	5608	SCREW 6X35	1,000
2	21608	SCREW 6X16 DIN	1,000
3	22029	FLAT WASHER 6,5	1,000
4	40594	GRIP	1,000
5	43558	STOP	1,000
6	52317	DRIVE STEERING	1,000
7	52319	STEERING	1,000
8	52354	DIFF.LOCK STEERING	1,000
9	53418	CABLE HAND.BAR LOCK	1,000
10	53423	CUTT.HEIGHT LEVER	1,000
11	53425	LEVER	1,000
12	53426	SPACER	1,000
13	71201	NUT M6	1,000

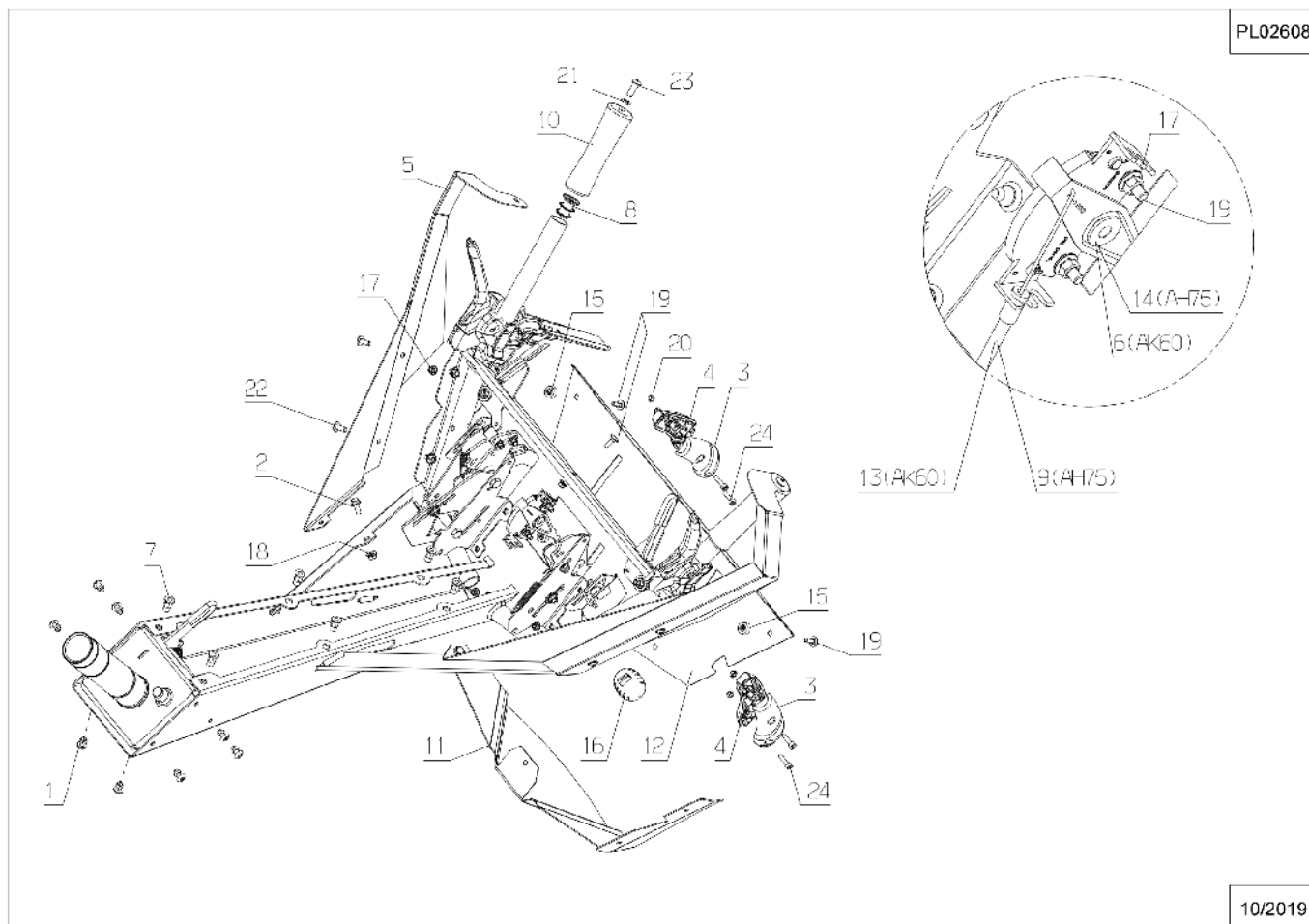
PL02607



10/2019

Number	Part Number	Name	Quantity
1	28738	BOLT	1,000
2	37997	SCREW HM6-16 8.8	1,000
3	40576	RIGHT SHELL	1,000
4	40577	LEFT SHELL	1,000
5	50513	LEFT PROTECTION	1,000
6	50698	GAS CONTROL	1,000
7	53370	INSERT	1,000
8	53411	INSERT	1,000
9	53417	GAS CABLE HONDA	1,000
10	53461	GRIP	1,000
11	53468	LEFT PROTECTION	1,000
12	53476	PLATE	1,000
13	53505	GAS CABLE KAWASAKI	1,000
14	53570	GAS CONTROL	1,000
16	53793	GRIP	1,000
17	71200	SCREW M5	1,000
18	71201	NUT M6	1,000
19	71231	SCREW JM5-16	1,000
20	71308	LOCK NUT M5	1,000
21	71343	SPRING WASHER A8	1,000
22	71361	SCREW RL X M6X16	1,000
23	71373	SCREW M8X20	1,000
24	71408	SCREW CHC M5-20	1,000

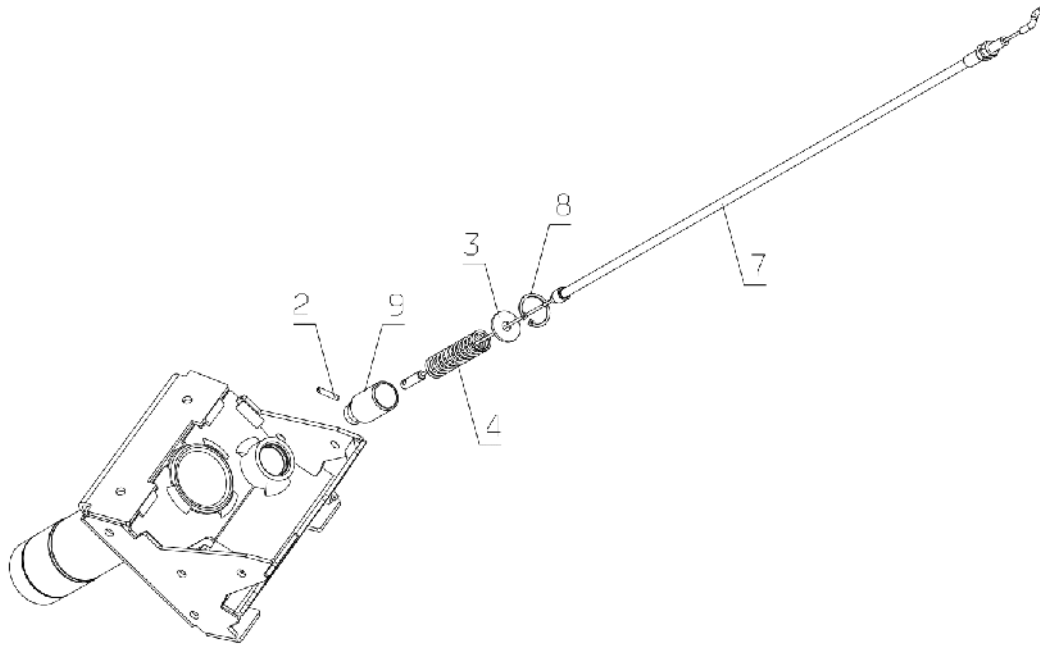
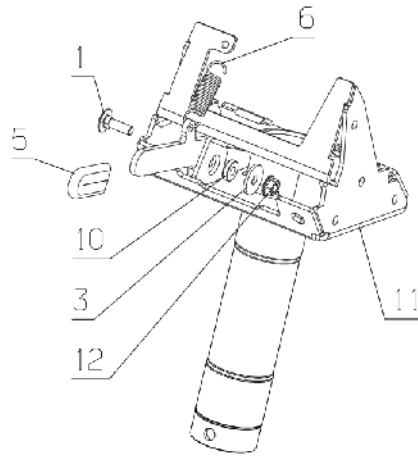
PL02608



10/2019

Number	Part Number	Name	Quantity
1	5496	SCREW 6X20	1,000
2	20556	PIN 3X15	1,000
3	22029	FLAT WASHER 6,5	1,000
4	22457	CLUTCH SPRING	1,000
5	40594	GRIP	1,000
6	42591	DRIVE PLATE SPRING	1,000
7	53418	CABLE HAND.BAR LOCK	1,000
8	53441	CIRCLIP 22X1	1,000
9	53462	INDEX	1,000
11	53773	LOWER HANDLE BAR	1,000
12	71201	NUT M6	1,000

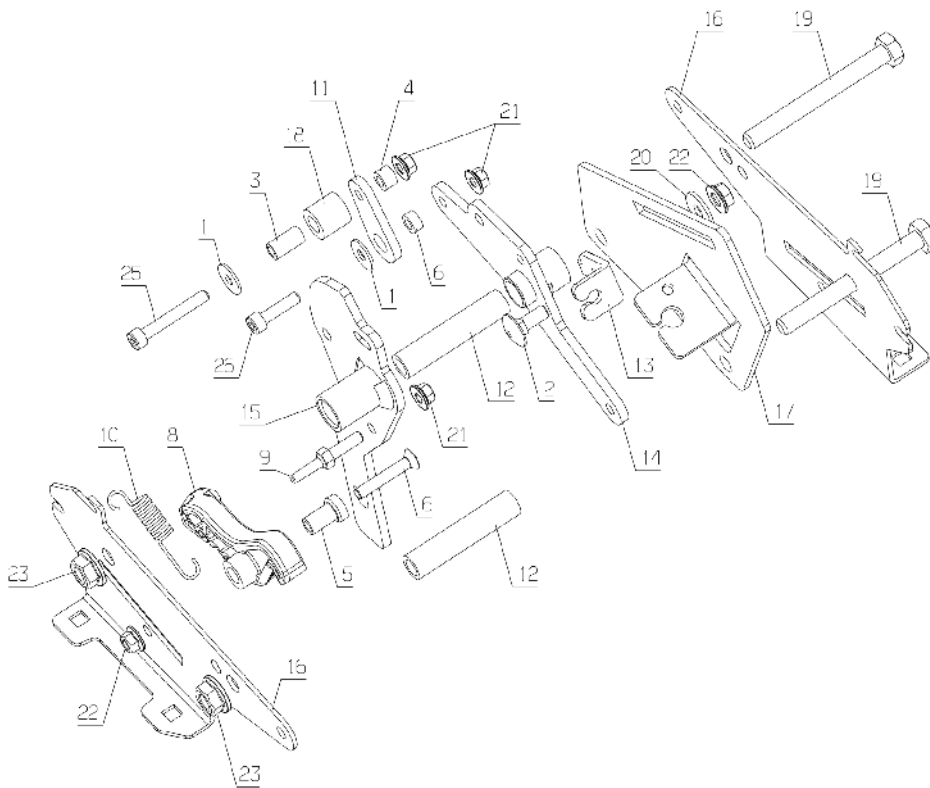
PL02606



10/2019

Number	Part Number	Name	Quantity
1	21481	WASHER	1,000
2	21608	SCREW 6X16 DIN	1,000
3	24846	SPACER 15X8X5,2	1,000
4	35511	SPACER D9/D5,2X6	1,000
5	40509	SPACER	1,000
6	40524	SPACER D9/D5,2X4,3	1,000
7	40525	PULLEY	1,000
8	40544	INDEXED DISK	1,000
9	40559	AXLE	1,000
10	40565	SPRING	1,000
11	40573	VARIATOR PLATE	1,000
12	42028	BUSH 12X8,2X55	1,000
13	43558	STOP	1,000
14	50699	DRIVE TRANSMISSION	1,000
15	53385	3 SPEED LEVER	1,000
16	53451	BRACKET	1,000
17	53453	STOP	1,000
18	53778	SPACER	1,000
19	71067	HEXAG.SCREW HM8X75	1,000
20	71096	WASHER B6,4	1,000
21	71200	SCREW M5	1,000
22	71201	NUT M6	1,000
23	71205	SCREW M8	1,000
24	71206	BOLT EJ.PT KA50X16	1,000
25	5399	BOLT M5X40	1,000
26	71408	SCREW CHC M5-20	1,000

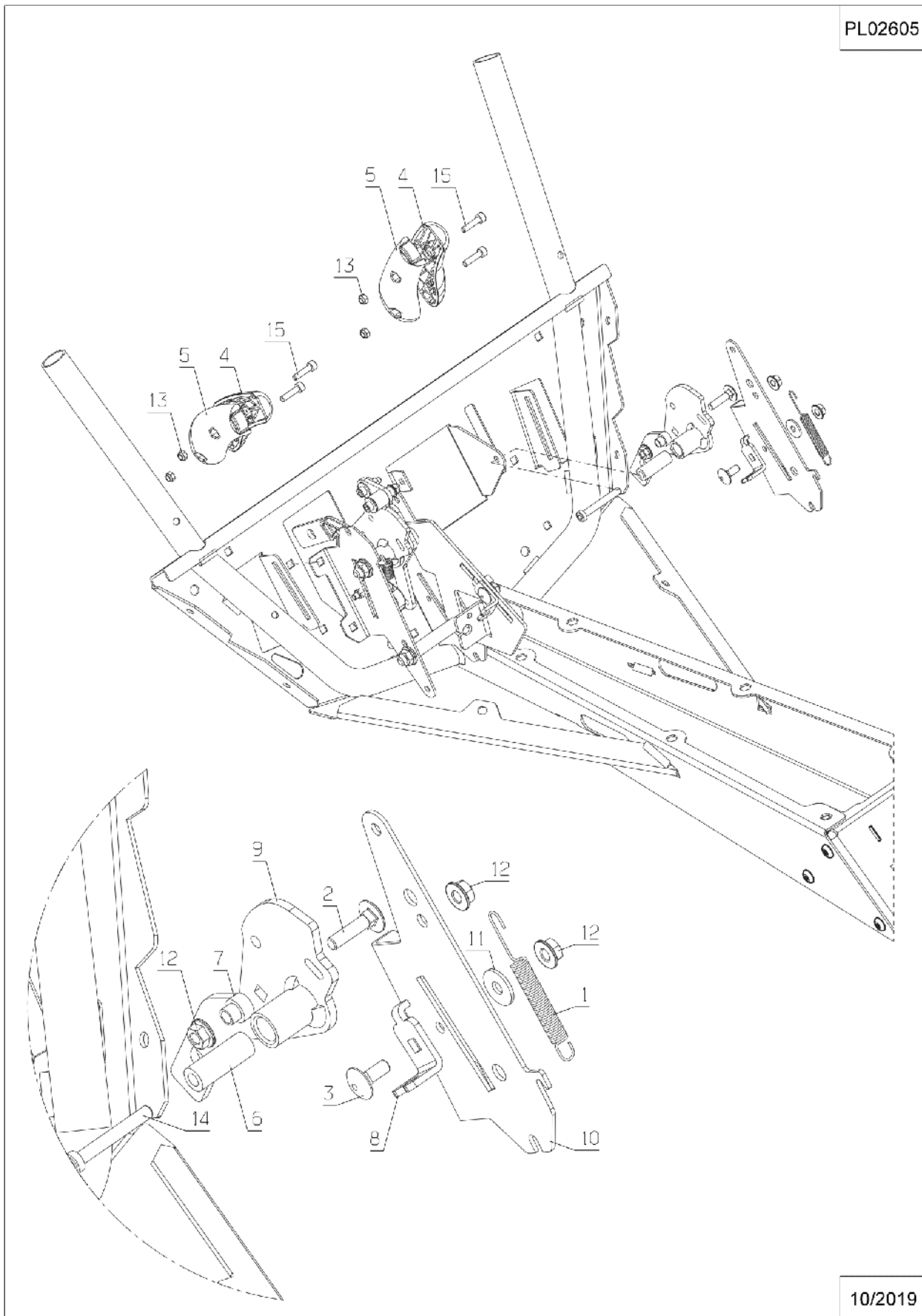
PL02604



10/2019

Number	Part Number	Name	Quantity
1	5203	RETURN SPRING	1,000
2	5494	SCREW J M6-25	1,000
3	21608	SCREW 6X16 DIN	1,000
4	40576	RIGHT SHELL	1,000
5	40577	LEFT SHELL	1,000
6	42027	BUSH 12X6,5X32,5	1,000
7	43526	SPACER	1,000
8	43558	STOP	1,000
9	53385	3 SPEED LEVER	1,000
10	53451	BRACKET	1,000
11	71096	WASHER B6,4	1,000
12	71201	NUT M6	1,000
13	71308	LOCK NUT M5	1,000
14	71342	SCREW M6X45 8.8	1,000
15	71408	SCREW CHC M5-20	1,000

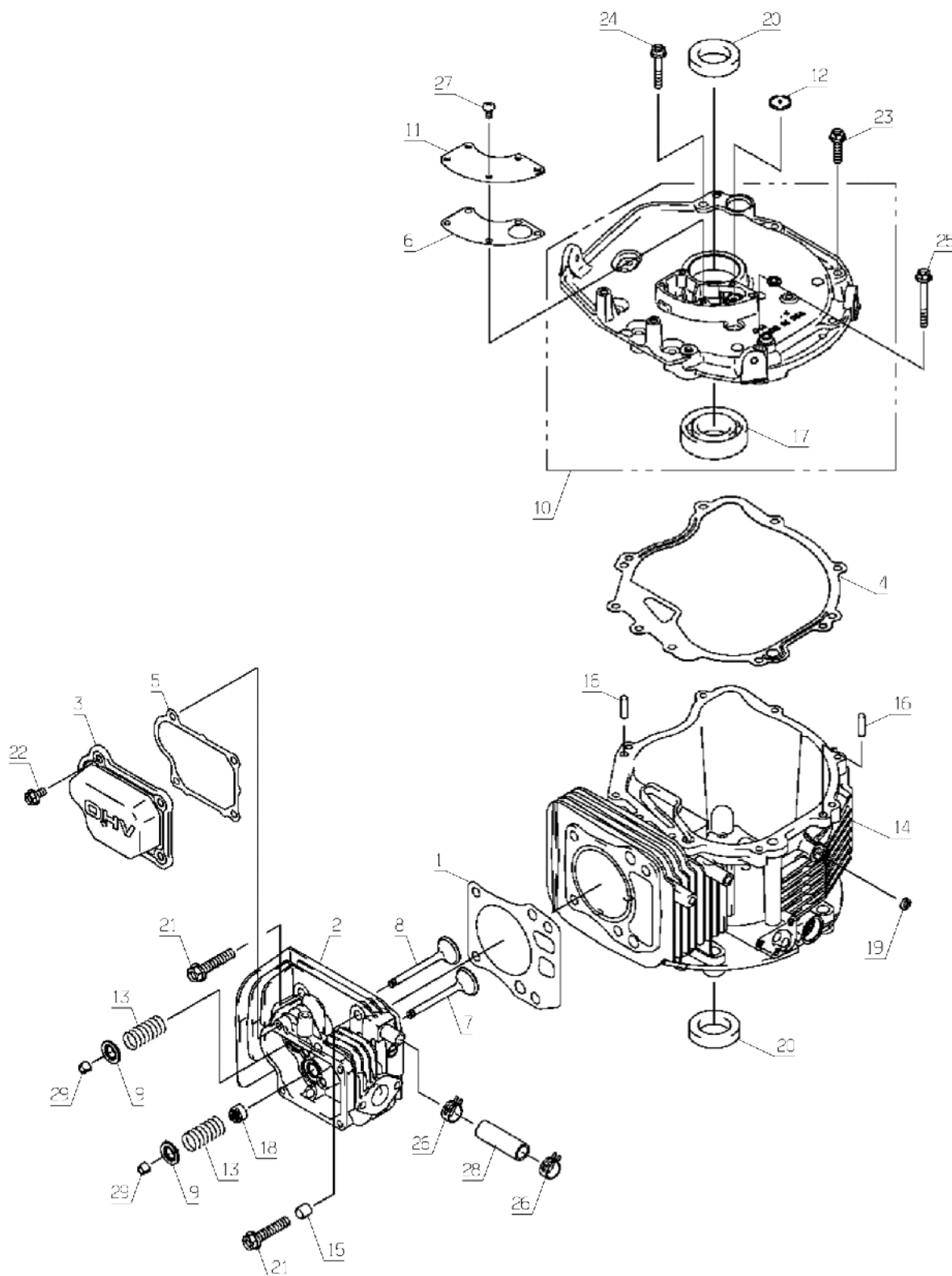
PL02605



10/2019

Number	Part Number	Name	Quantity
1	15119	CYLIND.HEAD GASKET	1,000
2	15138	CYLINDER HEAD	1,000
3	15139	COVER HEAD	1,000
4	15183	GASKET	1,000
5	15187	GASKET	1,000
6	15191	GASKET	1,000
7	15196	INLET VAVE	1,000
8	15197	EXHAUST VALVE	1,000
9	15198	WASHER	1,000
10	17138	HOUSING	1,000
11	17149	COVER	1,000
12	17233	SNIFTING VALVE	1,000
13	17549	SPRING	1,000
14	17626	CYLINDER	1,000
15	17739	CENTRING 10X12	1,000
16	17740	CENTRING 6X12	1,000
17	17770	BEARING 62/28	1,000
18	17779	GASKET	1,000
19	17781	GASKET 6X10X2.5	1,000
20	17782	GASKET 28X44X9	1,000
21	17913	SCREW 8X45	1,000
22	-	-	1,000
23	17944	SCREW 6X25	1,000
24	17947	SCREW 6X50	1,000
25	18023	SCREW 6X50	1,000
26	18035	COLLAR	1,000
27	18039	SCREW 5X10	1,000
28	18053	HOSE 12X16X49	1,000
29	18136	PELLET	1,000

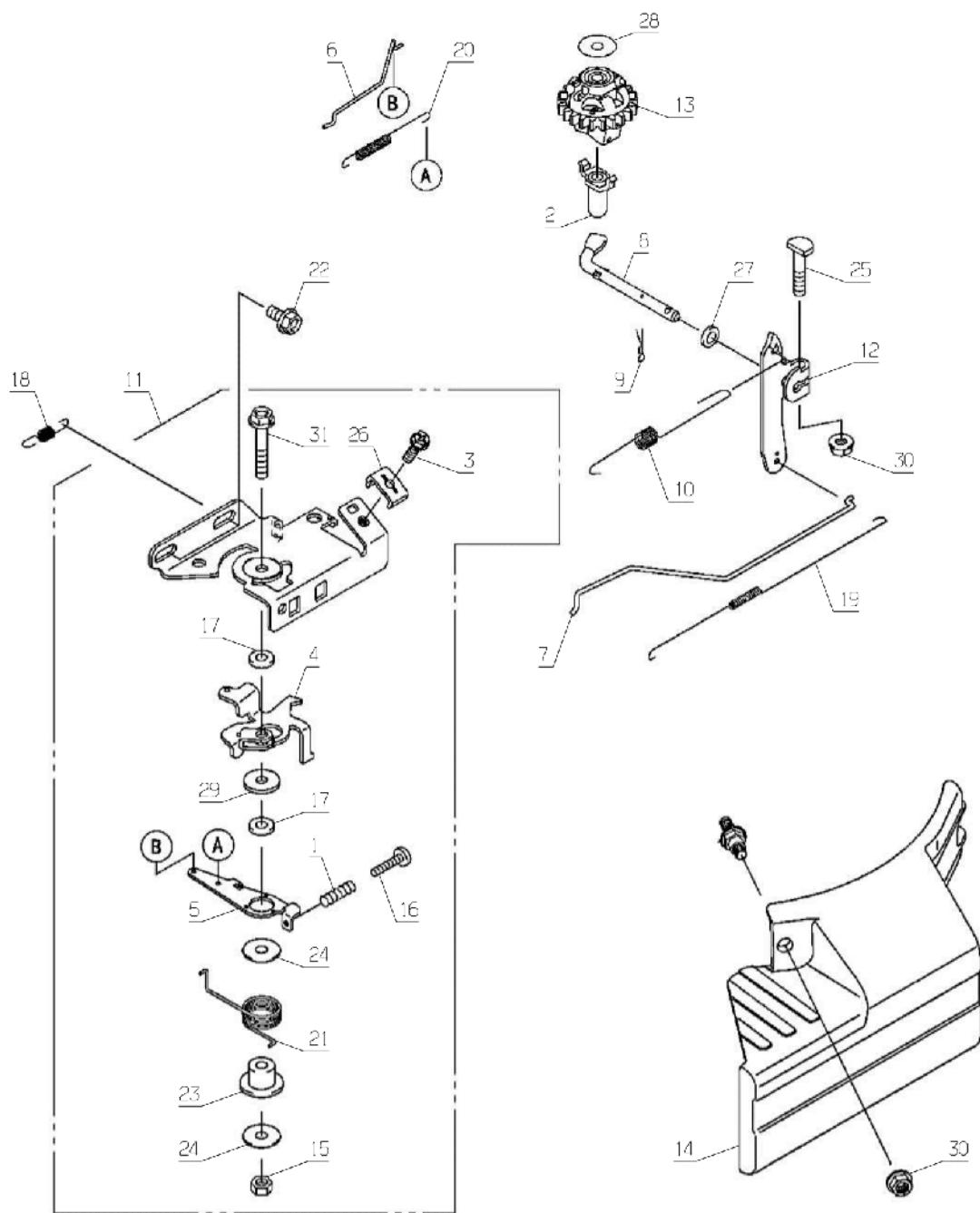
PL02307



01/2017

Number	Part Number	Name	Quantity
1	15346	SPRING	1,000
2	15356	GOVERNOR BEARING	1,000
3	15753	SCREW	1,000
4	17119	LEVER	1,000
5	17123	LEVER	1,000
6	17237	STARTER ROD	1,000
7	17238	ROD	1,000
8	17264	REGULATOR AXLE	1,000
9	17268	COTTER PIN	1,000
10	17269	SPRING	1,000
11	17271	PLATE	1,000
12	17572	LEVER	1,000
13	17592	REGULATOR	1,000
14	17632	PROTECTION	1,000
15	17734	NUT	1,000
16	17812	ADJUST SCREW	1,000
17	17835	SPACER	1,000
18	17845	SPRING	1,000
19	17859	SPRING	1,000
20	17864	SPRING	1,000
21	17898	SPRING	1,000
22	17921	SCREW 6X12	1,000
23	17977	RING	1,000
24	17979	WASHER	1,000
25	18020	SCREW 6X28	1,000
26	18037	CABLE STOP	1,000
27	18074	WASHER 6.5X11.5X2	1,000
28	18277	WASHER 6.2X20X0.5	1,000
29	18322	WASHER	1,000
30	18323	NUT M6	1,000
31	18343	VIS	1,000

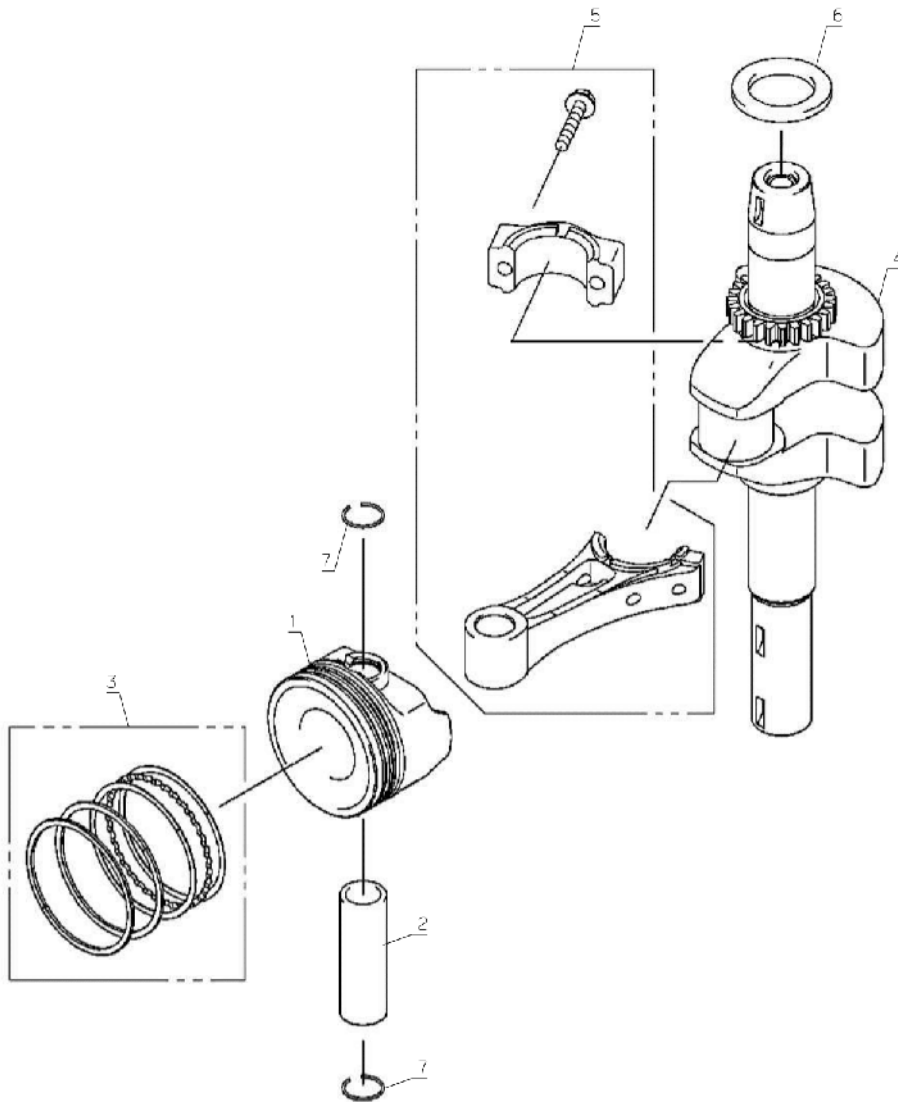
PL02308



01/2017

Number	Part Number	Name	Quantity
1	15208	PISTON	1,000
2	15209	PISTON AXLE	1,000
3	15214	PISTON RINGS SET	1,000
4	15229	CRANKSHAFT	1,000
5	17124	ROD ASSY	1,000
6	17736	GASKET 28X41,5X5,6	1,000
7	17737	RING SNAP	1,000

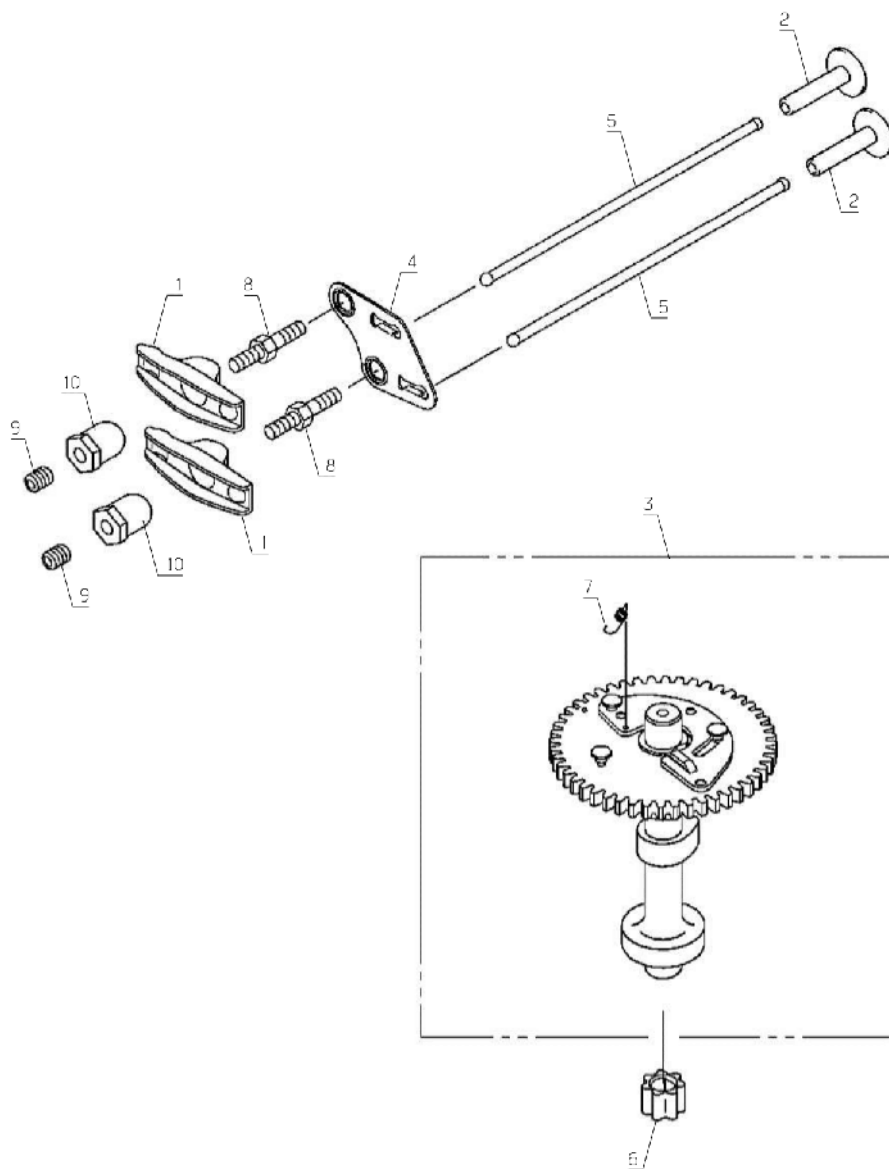
PL02309



01/2017

Number	Part Number	Name	Quantity
1	15200	ROCKER LEVER	1,000
2	15206	TAPET	1,000
3	15207	CAMSHAFT ASSY	1,000
4	15230	GUIDE	1,000
5	15244	PUSH ROD	1,000
6	17236	PUMP GEAR	1,000
7	17844	SPRING	1,000
8	17938	PIN	1,000
9	18038	SCREW	1,000
10	18326	NUT	1,000

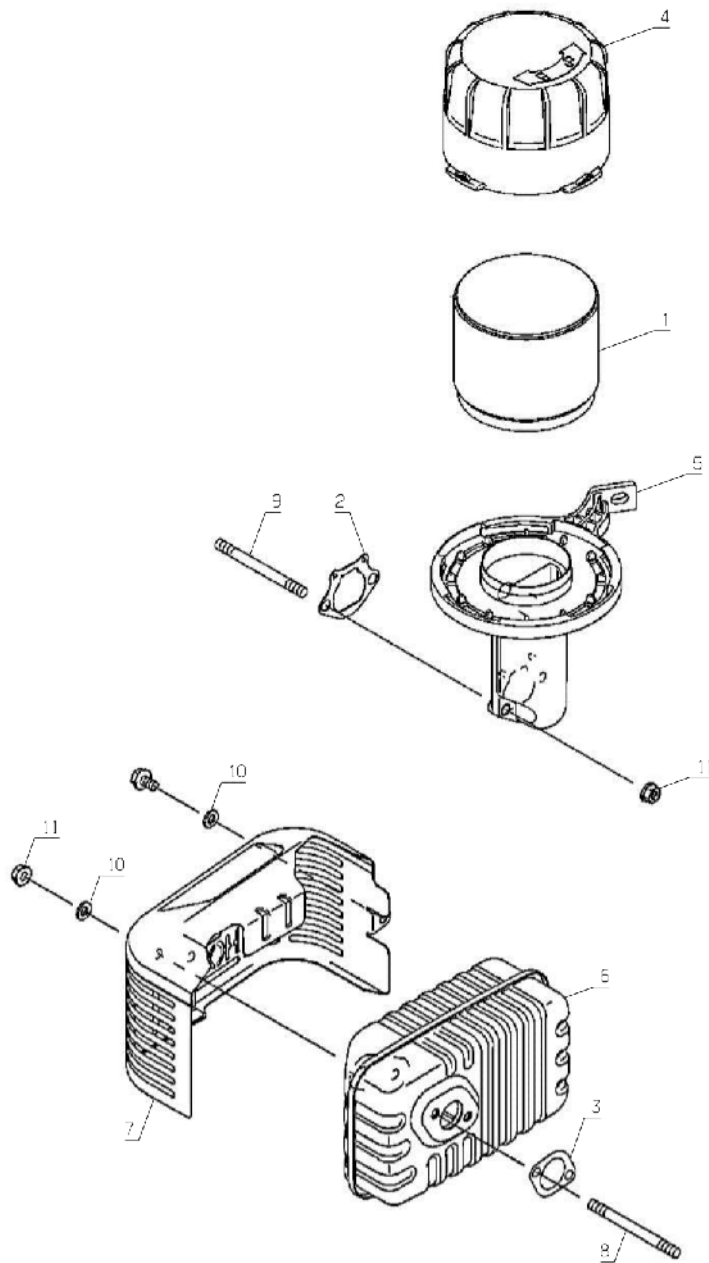
PL02310



01/2017

Number	Part Number	Name	Quantity
1	15141	FILTER CARTRIDGE	1,000
2	15189	GASKET	1,000
3	15190	MUFFLER GASKET	1,000
4	15195	AIR FILTER COVER	1,000
5	17224	INTAKE PIPE	1,000
6	17547	MUFFLER	1,000
7	17589	HEAT PROTECTION	1,000
8	17719	STUD	1,000
9	17732	STUD	1,000
10	18304	WASHER	1,000
11	18323	NUT M6	1,000

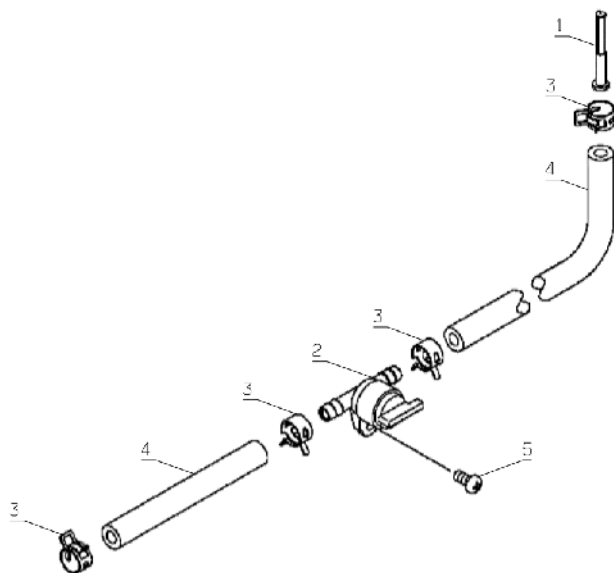
PL02311



01/2017

Number	Part Number	Name	Quantity
1	17542	INSERT	1,000
2	17627	FUEL STOP VALVE	1,000
3	17878	CLAMP	1,000
4	18052	GISE 220	1,000
5	18354	SCREW	1,000

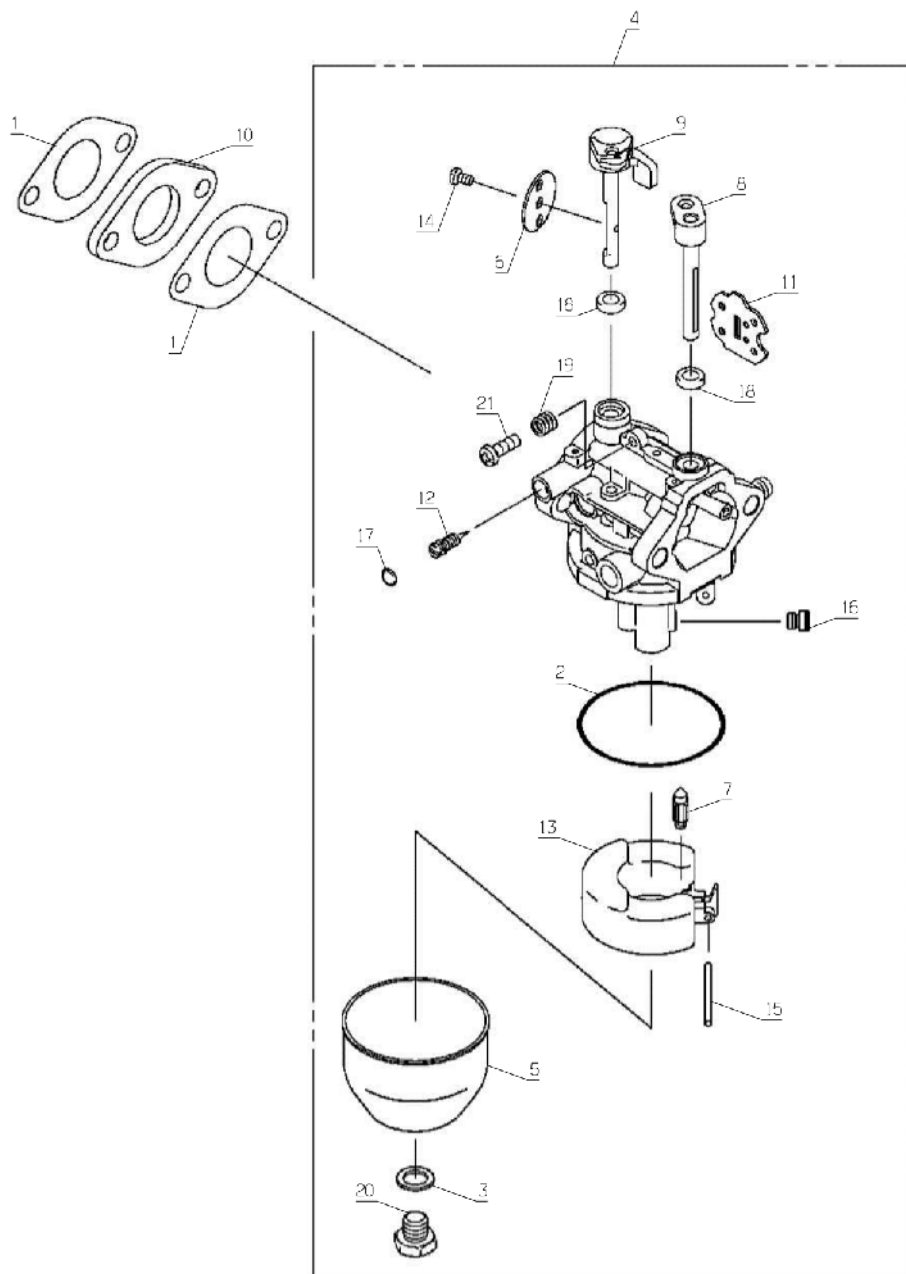
PL02312



01/2017

Number	Part Number	Name	Quantity
1	15192	GASKET	1,000
2	15193	GASKET	1,000
3	15194	GASKET	1,000
4	17179	CARBURETOR CPLT	1,000
5	17188	CHAMBER	1,000
6	17199	GAS FLAP	1,000
7	17209	FLOAT SPINDLE	1,000
8	17214	CHOCKE SHAFT	1,000
9	17216	GAS SHAFT	1,000
10	17225	INSULATOR	1,000
11	17239	CHOCKE FLAP	1,000
12	17245	SCREW	1,000
13	17247	FLOAT	1,000
14	17733	SCREW	1,000
15	17769	PIN	1,000
16	17800	MAIN JET	1,000
17	17819	PELLET	1,000
18	17833	GASKET	1,000
19	17897	SPRING	1,000
20	18028	SCREW	1,000
21	18048	SCREW	1,000

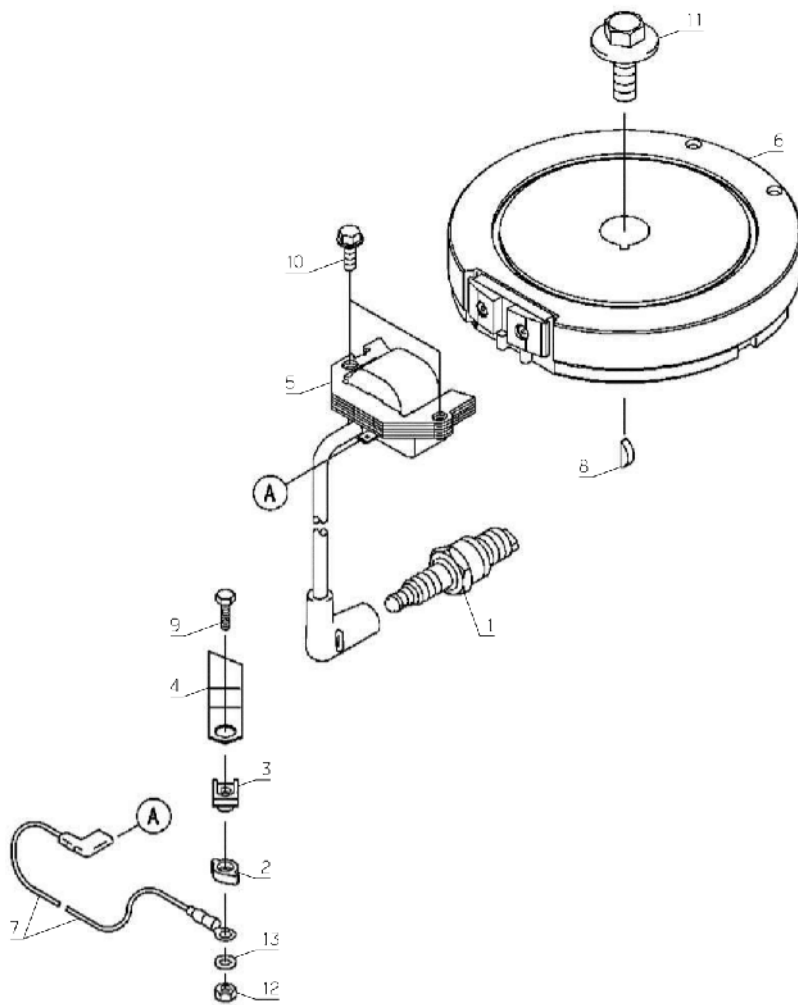
PL02313



01/2017

Number	Part Number	Name	Quantity
1	3861	SPARK PLUG D.14X19R	1,000
2	17159	COVER	1,000
3	17232	INSULATOR	1,000
4	17251	TERMINAL	1,000
5	17252	COIL	1,000
6	17253	FLYWHEEL	1,000
7	17259	CABLE	1,000
8	17738	KEY	1,000
9	17950	SCREW 4X16	1,000
10	17991	SCREW 6X20	1,000
11	18000	SCREW 12X30	1,000
12	21525	NUT HM4	1,000
13	71061	WASHER	1,000

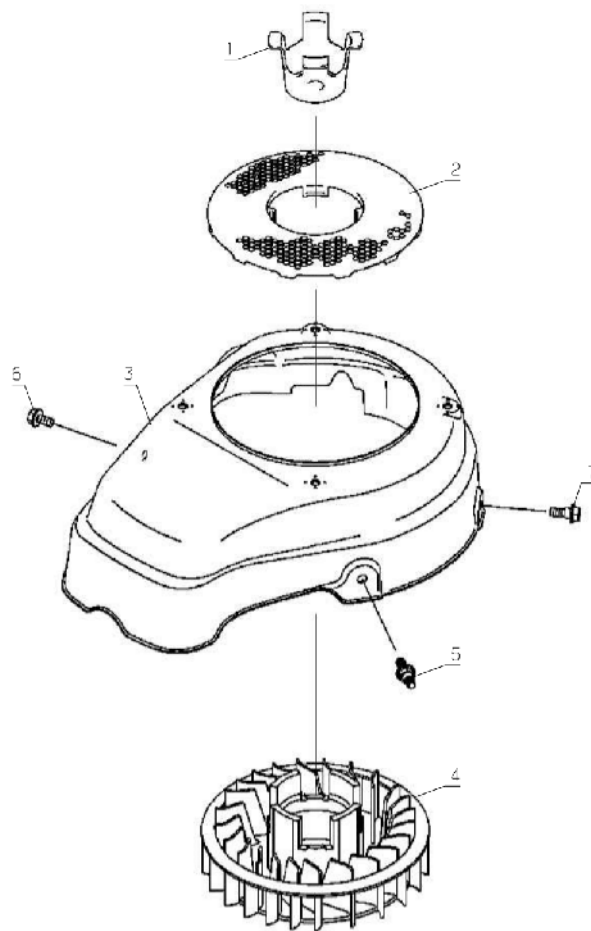
PL02314



01/2017

Number	Part Number	Name	Quantity
1	15151	THRUST WASHER	1,000
2	17129	GRID	1,000
3	17173	SPIRAL	1,000
4	17668	FLYWHEEL	1,000
5	17916	SCREW	1,000
6	17921	SCREW 6X12	1,000
7	17933	SCREW M6	1,000

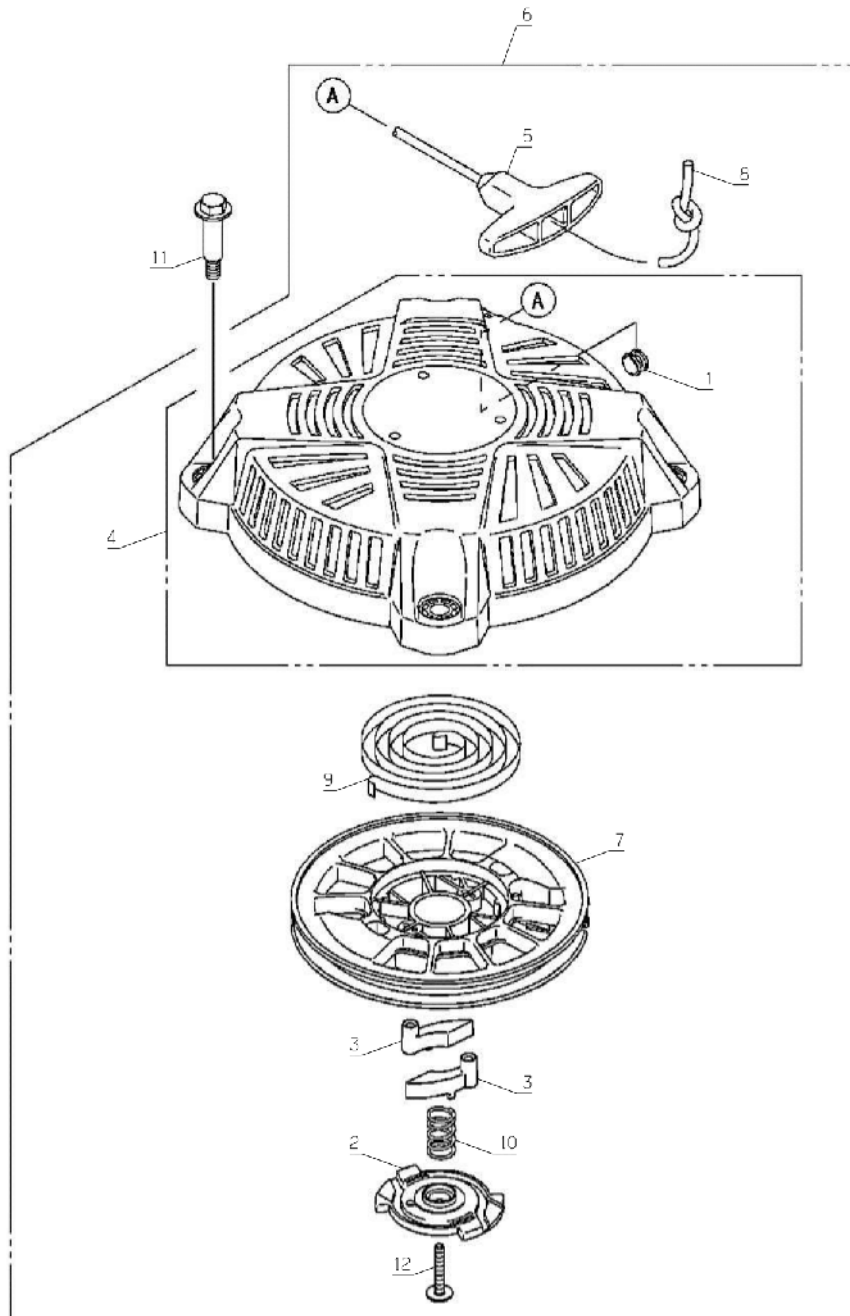
PL02315



01/2017

Number	Part Number	Name	Quantity
1	15231	ROPE GUIDE	1,000
2	15241	CLICK BRACKET	1,000
3	17100	CLICK	1,000
4	17263	CASE RECOIL STARTER	1,000
5	17524	GRIPP	1,000
6	17559	STARTER CPLT	1,000
7	17676	PULLEY	1,000
8	17678	STARTER CORD	1,000
9	17865	SPRING	1,000
10	17896	SPRING	1,000
11	17958	SCREW	1,000
12	18045	SCREW	1,000

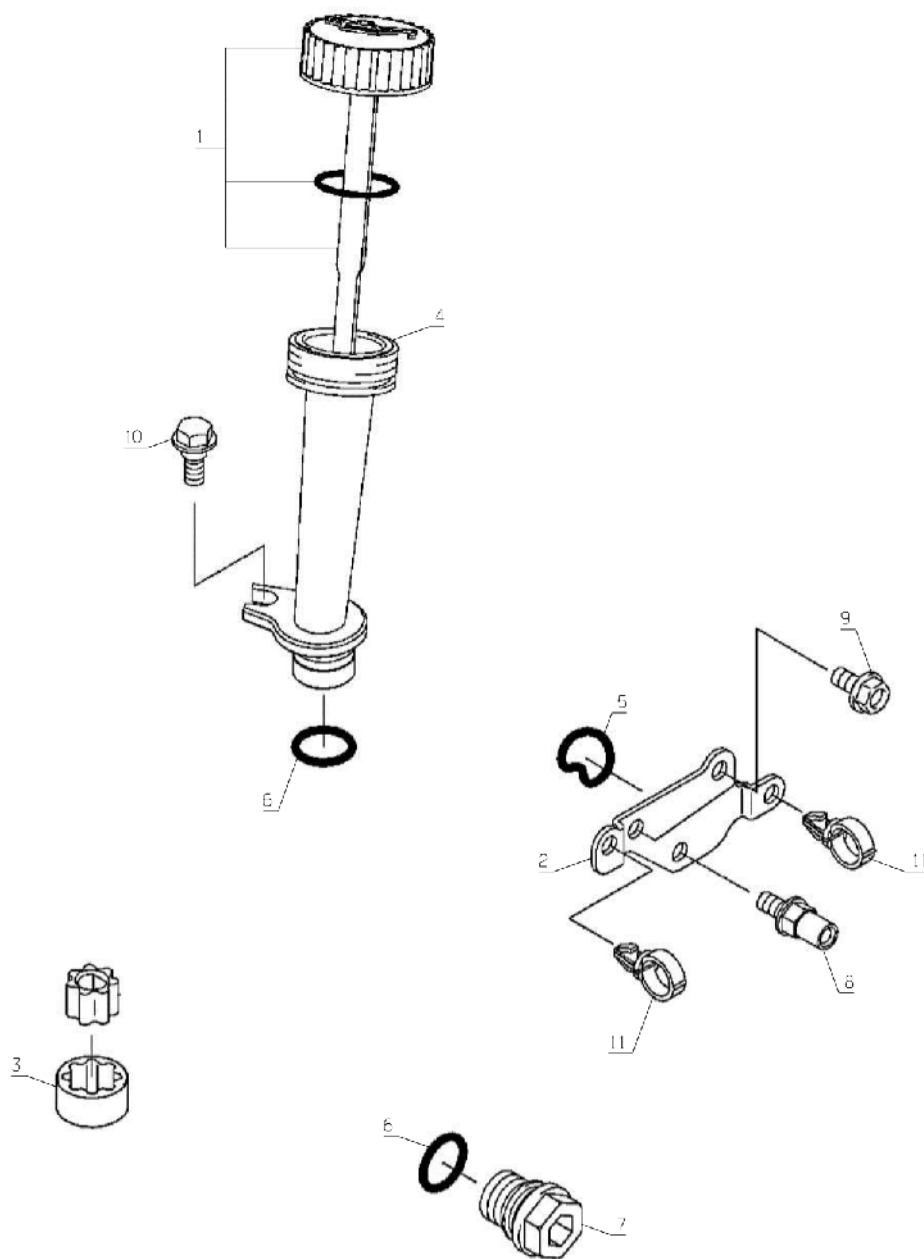
PL02316



01/2017

Number	Part Number	Name	Quantity
1	17142	OIL GAUGE	1,000
2	17157	COVER	1,000
3	17234	PUMP BODY	1,000
4	17718	FILLING TUBE	1,000
5	17783	GASKET	1,000
6	17787	GASKET	1,000
7	17814	PLUG	1,000
8	17919	SCREW	1,000
9	17921	SCREW 6X12	1,000
10	17933	SCREW M6	1,000
11	18036	CLAMP	1,000

PL02317



01/2017