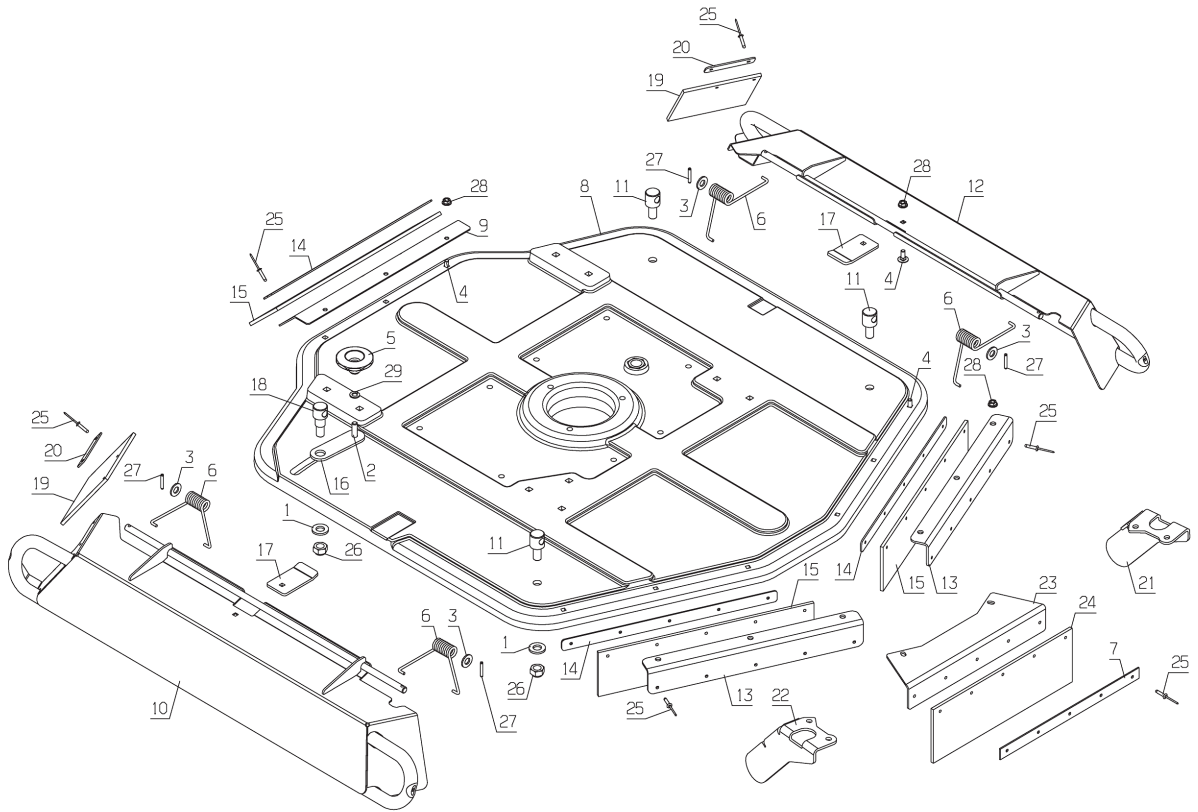


Number	Part Number	Name	Quantity
1	1560	FLAT WASHER 13X25X3	1,000
2	9057	SQUARE BOLT,DIN 603	1,000
3	21036	FLAT WASHER 10.5	1,000
4	21608	SCREW 6X16 DIN	1,000
5	24610	BUTTON (SMALL)	1,000
6	28245	FLAP SPRING	1,000
7	30168	FLAPPER PLATE	1,000
8	32345	CUT.DECK CENTR.PART	1,000
9	32405	REAR DEFLECTOR	1,000
10	32417	DEFLECTOR	1,000
11	32423	ROTATION BLOCK	1,000
12	32425	CUT.DECK PROTECTION	1,000
13	32540	RUBB.FLAPP.BRACKET	1,000
14	35744	RUB.FLAP.REINFORC.	1,000
15	36482	RUBBER FLAPPER	1,000
16	36775	CONNECTING ROD	1,000
17	36776	ANSCHLAG DEFLECTOR	1,000
18	36777	ADJUSTMENT BOLT	1,000
19	36792	RUBBER FLAPPER	1,000
20	36793	RUB.FLAP.FIX.PLATE	1,000
21	36807	FOOT PROTEC.LEFT	1,000
22	36808	FOOT PROTECT.RIGHT	1,000
23	55163	RUBBER FLAP REINF.	1,000
24	55164	RUBBER FLAPPER	1,000
25	71112	DIA.4X18 STAR RIVET	1,000
26	71157	NUT AUTOFR.HM12	1,000
27	71188	PIN 4-26	1,000
28	71201	NUT M6	1,000
29	71343	SPRING WASHER A8	1,000

PL02673

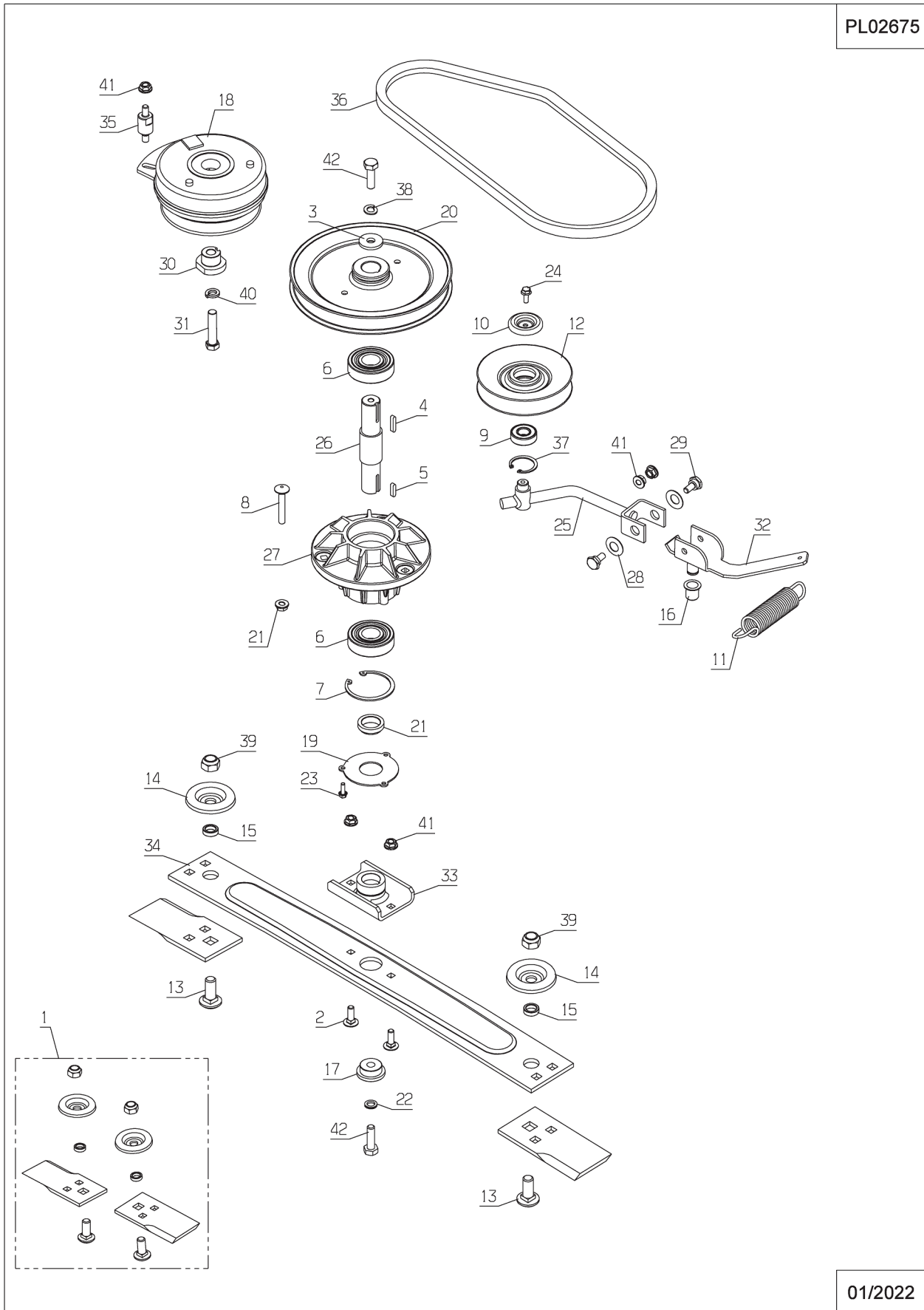


01/2022

Number	Part Number	Name	Quantity
1	MC85	SWING TIP KIT	1,000
2	5347	SCREW 8X25	1,000
3	9009	WASHER	1,000
4	20602	KEY 5X5X25	1,000
5	20606	KEY 5X5X20	1,000
6	21553	BEARING 6305-2RS	1,000
7	21560	CIRCLIP 62X2 I.	1,000
8	22031	SCREW 8X55	1,000
9	25112	BALL BEARING,6202 S	1,000
10	25117	PLUG T. ARM	1,000
11	25124	TENSION SPRING	1,000
12	26156	BELT TIGHTENER PULL	1,000
13	27166	SCREW M14X35	1,000
14	27543	FIXING KIT MC85	1,000
15	27266	KNIFE COLLAR	1,000
16	28070	SLEEVE 15/17/20	1,000
17	32548	WASHER	1,000
18	35576	BLADE CLUTCH TG105	1,000
19	35748	BEARING PROTECTION	1,000
20	36044	PULLEY	1,000
21	36615	BUSH	1,000
22	37665	WASHER	1,000
23	37996	SCREW HM5-16 8.8	1,000
24	37997	SCREW HM6-16 8.8	1,000
25	39294	TENSIONNER ARM	1,000
26	39297	BLADE SHAFT	1,000
27	39298	BLADE BEARING	1,000
28	39348	BELLEVILLE WASHER	1,000
29	39416	KING BOLT	1,000
30	50084	STOP	1,000
31	50086	SCREW	1,000
32	-	-	1,000
33	54924	BLADE COUPLING M8	1,000
34	54928	BLADE BODY	1,000
35	54948	BLADE CLUTCH STOP	1,000
36	54972	BELT B/17	1,000
37	71039	CIRCLIP,DIN 427 35X	1,000
38	71052	SPRING WASHER,DIN 1	1,000
39	71053	HEXAG.NUT,DIN 985-8	1,000
40	71159	WASHER 7/16"	1,000
41	71205	SCREW M8	1,000

Number	Part Number	Name	Quantity
42	71242	HEX.SCREW HM10X35	1,000

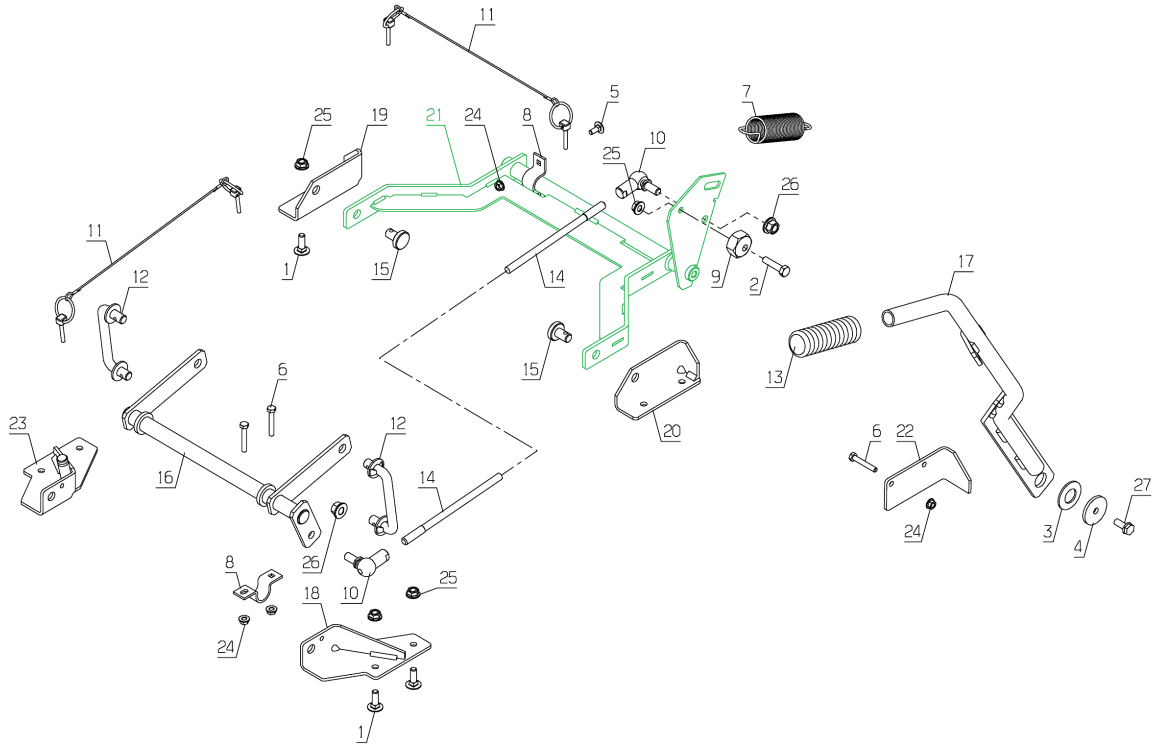
PL02675



01/2022

Number	Part Number	Name	Quantity
1	5347	SCREW 8X25	1,000
2	7038	SCREW,DIN933 H M 8X	1,000
3	7330	WASHER	1,000
4	20021	WASHER 8,5X40X4	1,000
5	21608	SCREW 6X16 DIN	1,000
6	22456	SCREW HM 6X40	1,000
7	25425	COMPENSATION SPRING	1,000
8	25711	STRAP	1,000
9	28040	CUTTING HEIGHT STOP	1,000
10	28047	STEER. KNUCKLE M10	1,000
11	28075	SAFETY PIN & CHAIN	1,000
12	28113	INTERMEDIATE ROD	1,000
13	28118	CUT.HEIGHT LEVER HA	1,000
14	28119	ROD	1,000
15	28208	SHAFT	1,000
16	28419	CUTT.HEIGHT FR.ARM	1,000
17	28429	CUTT. HEIGHT LEVER	1,000
18	54910	BRACKET FRONT LEFT	1,000
19	54911	BRACKET REAR RIGHT	1,000
20	54913	BRACKET REAR LEFT	1,000
21	54947	REAR ARM	1,000
22	54949	CUT.HEIGHT STOP	1,000
23	55009	BRACKET FRONT RIGHT	1,000
24	71201	NUT M6	1,000
25	71205	SCREW M8	1,000
26	71249	SCREW M10	1,000
27	71413	SCREW HM 8-20	1,000

PL02674



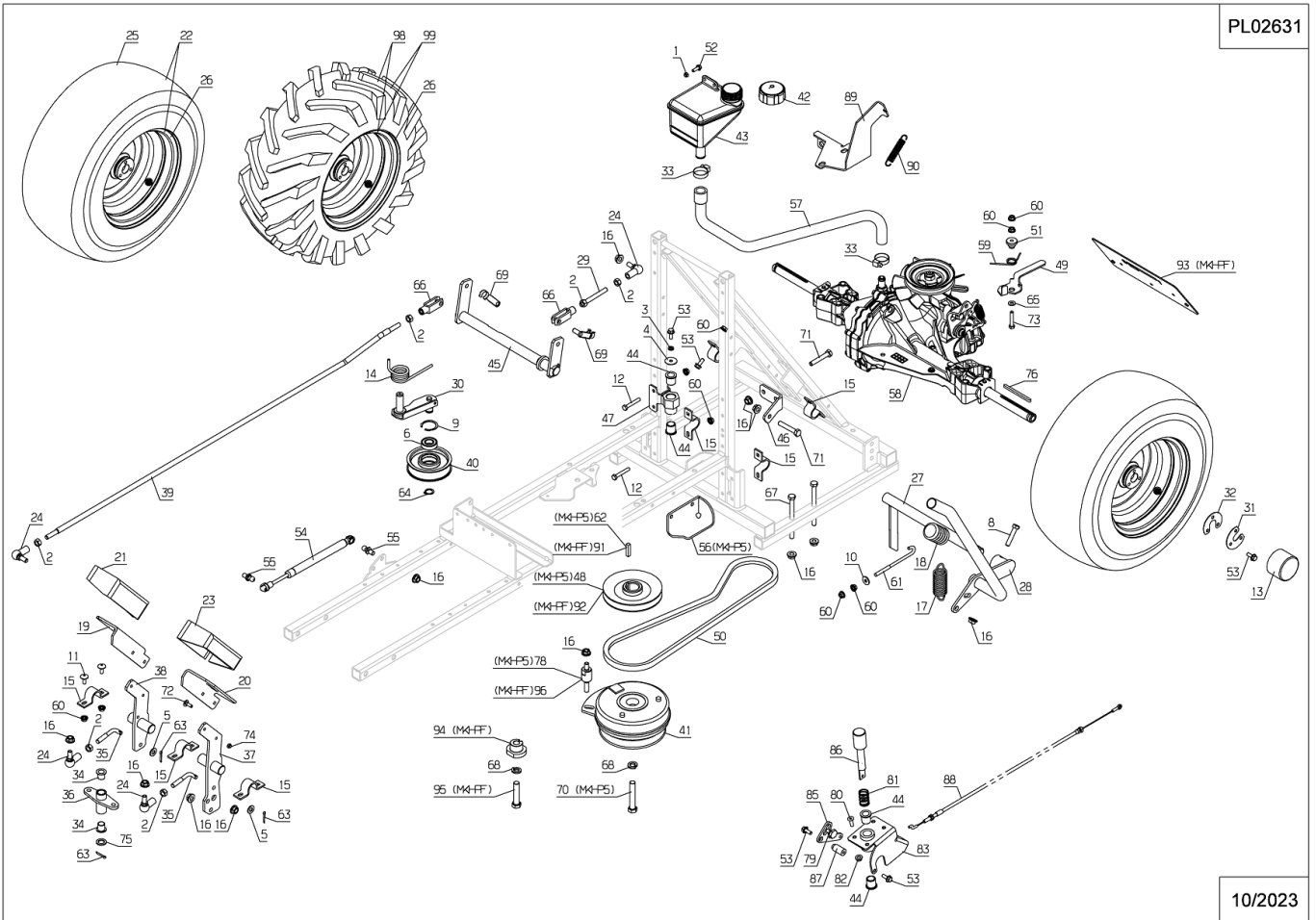
01/2022

Number	Part Number	Name	Quantity
1	37561	NUT	1,000
2	2020	NUT HM8	1,000
3	71049	SPRING WASHER,DIN 1	1,000
4	5604	WASHER	1,000
5	7335	WASHER	1,000
6	9022	BALL BEARING 6002	1,000
7	-	-	1,000
8	21114	BOLT 8X40	1,000
9	21256	CIRCLIP	1,000
10	21270	WASHER 6,4	1,000
11	21608	SCREW 6X16 DIN	1,000
12	22456	SCREW HM 6X40	1,000
13	25176	WHEEL CAP	1,000
14	25511	UPPER BELT TIGHTENE	1,000
15	25711	STRAP	1,000
16	71205	SCREW M8	1,000
17	28076	TENSION SPRING	1,000
18	28100	BRAKE LEVER HANDLE	1,000
19	28131	FORWARD PEDAL	1,000
20	28139	REVERSE PEDAL	1,000
21	28167	COVERING FORW.PEDAL	1,000
22	28186	REAR WHEEL GR. S/N	1,000
23	28188	COVERING REV. PEDAL	1,000
24	28234	KNUCKLE M8	1,000
25	28351	TYRE SO/NAT	1,000
26	28355	REAR RIM GR. S	1,000
27	28509	PARKING BRAKE TUBE	1,000
28	28512	PARKING BRAKE LEVER	1,000
29	28516	VORWARD DRIVE ROD	1,000
30	51189	BELT TIGHTENER	1,000
31	52175	SECURING RING	1,000
32	52174	SECURING RING	1,000
33	28534	COLLAR 16-27	1,000
34	28555	SLEEVE 12/14/15	1,000
35	28556	PEDAL ROD	1,000
36	28563	PLATE	1,000
37	28564	REV.PEDAL ROD ASSY	1,000
38	28566	FOR.PEDAL ROD ASSY	1,000
39	28605	ROD	1,000
40	35141	TENSIONNER PULLEY	1,000
41	35576	BLADE CLUTCH TG105	1,000

Number	Part Number	Name	Quantity
42	36382	PLUG 175	1,000
43	36569	COMPENSATION TANK	1,000
44	37059	BUSH JFM 141822-20	1,000
45	53334	SHAFT	1,000
46	37362	SUPPORT	1,000
47	37363	TENSIONNER COMPLETE	1,000
48	37369	PULLEY A DP110	1,000
49	52865	BY PASS LEVER	1,000
50	37437	BELT A LP 1050	1,000
51	37505	BY PASS AXLE	1,000
52	37996	SCREW HM5-16 8.8	1,000
53	37997	SCREW HM6-16 8.8	1,000
54	39680	SHOCK ABSORBER	1,000
55	39681	KNOB	1,000
56	39777	CUTTING HEIGHT STOP	1,000
57	39923	HOSE	1,000
58	53248	TRANSMISSION HG T3	1,000
59	41060	CLUTCH SPRING	1,000
60	71201	NUT M6	1,000
61	50987	BRAKE HOOK T3	1,000
62	71007	B-SHAPE KEY 6.35X6.	1,000
63	71018	V3,2 SPLIT PIN	1,000
64	71047	CIRCLIP DIN 471 15X	1,000
65	71075	WASHER	1,000
66	71077	YOKE DIN 71751 8X32	1,000
67	71199	SCREW HM8X90	1,000
68	71159	WASHER 7/16"	1,000
69	71169	STUD 8X32	1,000
70	71208	SCREW H7/16"20	1,000
71	71223	SCREW M8X50	1,000
72	71231	SCREW JM5-16	1,000
73	71259	SCREW HM6X35	1,000
74	71308	LOCK NUT M5	1,000
75	71336	WASHER 13X20X2	1,000
76	71418	KEY 4,76X4,76X75	1,000
78	52620	AXLE	1,000
79	28137	CATCH BOLT SP.SCREW	1,000
80	71381	SCREW FHC/90 M6-20	1,000
81	43065	SPRING	1,000
83	53295	PLATE	1,000
85	53304	BALANCE WHEEL	1,000

Number	Part Number	Name	Quantity
86	53305	AXLE	1,000
87	53306	AXLE	1,000
88	53310	CABLE	1,000
89	53309	BRACKET	1,000
90	31368	SPRING	1,000
91	35861	KEY 6.35X6.35X20	1,000
94	50084	STOP	1,000
95	50086	SCREW	1,000
96	5494	SCREW J M6-25	1,000
98	55355	REAR WHEEL RIGHT	1,000
99	55354	REAR WHEEL LEFT	1,000

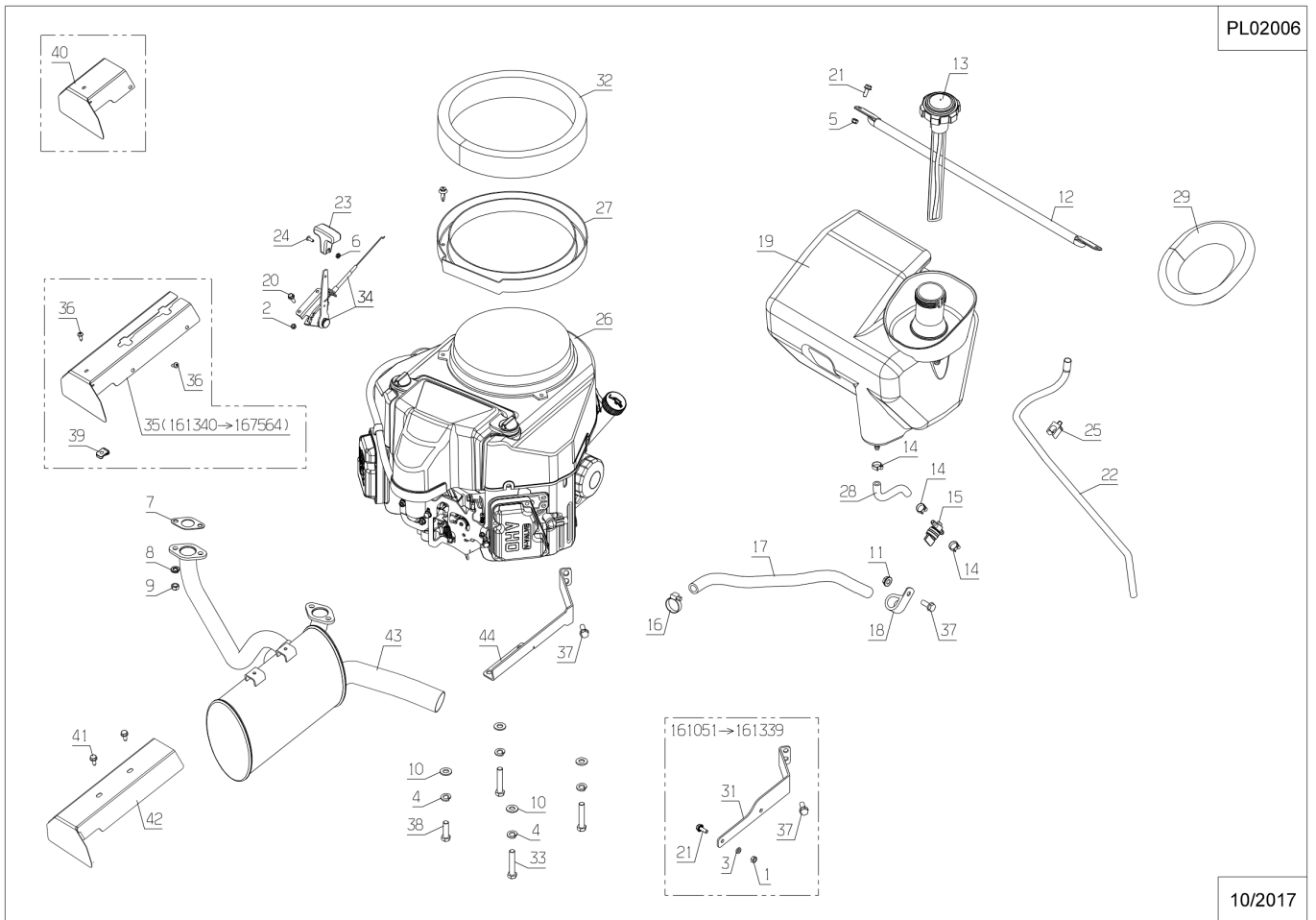
PL02631



10/2023

Number	Part Number	Name	Quantity
1	1557	NUT HM6	1,000
2	37561	NUT	1,000
3	71049	SPRING WASHER,DIN 1	1,000
4	71052	SPRING WASHER,DIN 1	1,000
5	71201	NUT M6	1,000
6	5488	NUT HM 4.8	1,000
7	15261	MUFFLER GASKET	1,000
8	15848	SPRING WASHER	1,000
9	15849	HEX NUT	1,000
10	21036	FLAT WASHER 10.5	1,000
11	71205	SCREW M8	1,000
12	28052	CROSSPIECE	1,000
13	28055	PETROL GAUGE	1,000
14	28323	HOSE HAND CLIP	1,000
15	28324	FUEL STOP VALVE	1,000
16	28534	COLLAR 16-27	1,000
17	28703	HOSE HG 710	1,000
18	30165	CLAMP DIA.20	1,000
19	37809	FUEL TANK	1,000
20	37996	SCREW HM5-16 8.8	1,000
21	37997	SCREW HM6-16 8.8	1,000
22	38000	HOSE	1,000
23	38127	THROTTLE LEVER	1,000
24	38130	SCREW M4X12,4.6	1,000
25	38273	CLIP DIAM 12	1,000
26	38403	ENGINE KAWA FS481V	1,000
27	38447	BRACKET	1,000
28	39194	FUEL HOSE	1,000
29	39273	TANK FOAM	1,000
30	39435	-> 51591 + 51593	1,000
31	39510	MUFFLER BRACKET	1,000
32	39730	BELLOW FOAM	1,000
33	39921	SCREW	1,000
34	50021	THROTTLE KIT	1,000
35	50854	HOT PROTECTION	1,000
36	71111	TAPPING SCREW,DIN 7	1,000
37	71413	SCREW HM 8-20	1,000
38	71454	SCRW.HUNC 3/8"1"1/4	1,000
39	71459	NUT	1,000
40	39764	PLATE	1,000
41	38408	SCREW HM6-16 8,8	1,000

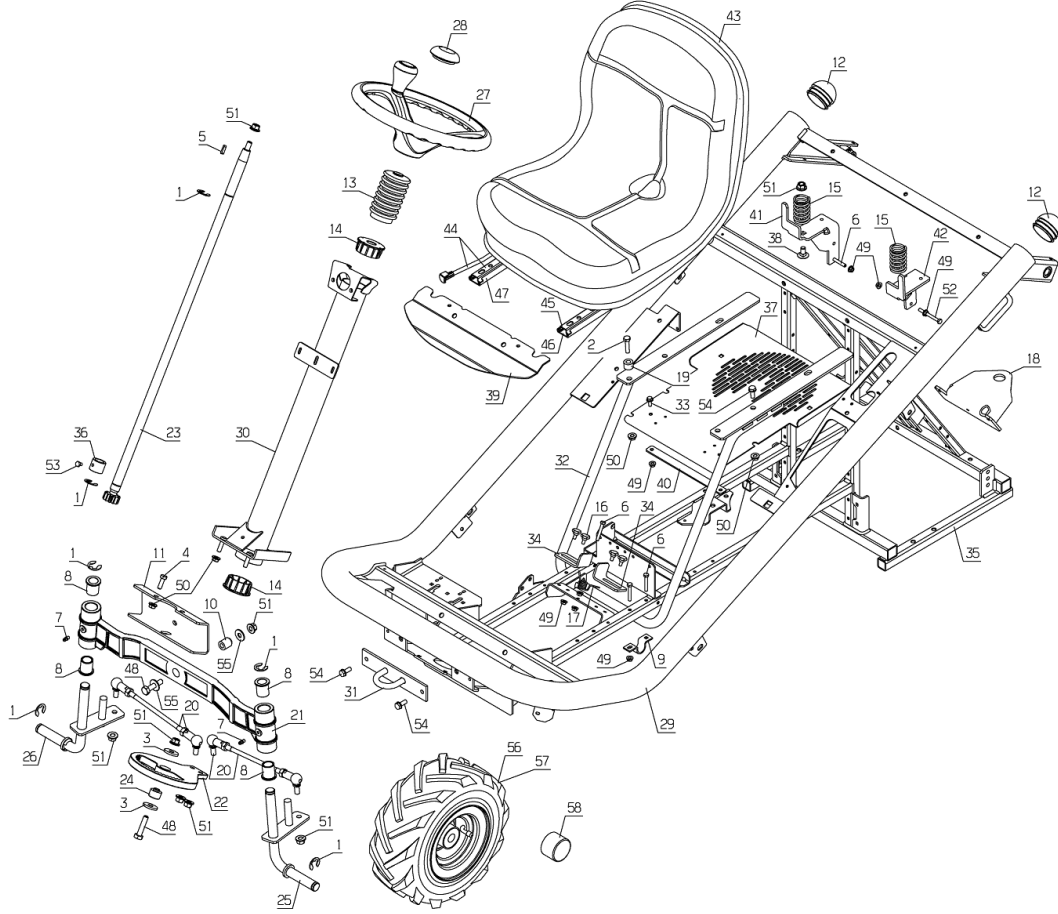
Number	Part Number	Name	Quantity
42	52688	HOT PROTECT. PLATE	1,000
43	52687	MUFFLER	1,000
44	52689	MUFFLER FAST. LUG.	1,000



Number	Part Number	Name	Quantity
1	1513	CIRCLIP 15	1,000
2	7038	SCREW,DIN933 H M 8X	1,000
3	9009	WASHER	1,000
4	9056	BOLT 8X25	1,000
5	20606	KEY 5X5X20	1,000
6	22456	SCREW HM 6X40	1,000
7	25301	RH STD "HYDRAULIC"	1,000
8	25305	SELF-LUBRIC.RING C2	1,000
9	25711	STRAP	1,000
10	28025	FRONT AXLE SPACER	1,000
11	28028	STEERING RING SUPP.	1,000
12	28056	TUBE CAP 60	1,000
13	28110	BELLOWS	1,000
14	28111	CONSOLE GUIDE RING	1,000
15	28112	SEAT SPRING	1,000
16	28137	CATCH BOLT SP.SCREW	1,000
17	28206	SEAT BLOCAGE SPRING	1,000
18	28272	TOWING BRACKET	1,000
19	28296	SPACER	1,000
20	28536	STEERING ROD	1,000
21	28651	AXLE	1,000
22	28663	STEERING RING	1,000
23	28679	STEERING COLUMN	1,000
24	28690	SPACER	1,000
25	28718	LEFT STUB AXLE	1,000
26	28719	RIGHT STUB AXLE	1,000
27	29900	STEERING WHEEL	1,000
28	29978	STEERING WHEEL CAP	1,000
29	36721	FRAME DIA.60 GREEN	1,000
30	36842	STEERING CONS.CPL.G	1,000
31	37289	HOOK	1,000
32	37812	SEAT BRACKET	1,000
33	37997	SCREW HM6-16 8.8	1,000
34	38056	SEAT STOP	1,000
35	39517	FRAME	1,000
36	39589	STEERING STOP	1,000
37	50013	SEAT PLATE MKM	1,000
38	50071	SCREW	1,000
39	50096	PROTECTION RUBBER	1,000
40	50097	RUBBER FIXING	1,000
41	53011	CORNER SEAT RIGHT	1,000

Number	Part Number	Name	Quantity
42	53012	CORNER SEAT LEFT	1,000
43	53333	SEAT COBO GT75	1,000
44	53396	UPPER SEAT GUIDE	1,000
45	53397	UPPER SEAT GUIDE	1,000
46	53398	LOWER SEAT GUIDE	1,000
47	53399	LOWER SEAT GUIDE	1,000
48	71198	HEX.SCREW HM10X45	1,000
49	71201	NUT M6	1,000
50	71205	SCREW M8	1,000
51	71249	SCREW M10	1,000
52	71288	SCREW HM6X60 8.8	1,000
53	71355	HEX.SCREW M6X10	1,000
54	71413	SCREW HM 8-20	1,000
55	71238	WASHER A10,2	1,000
56	55356	FRONT WHEEL LEFT	1,000
57	55357	FRONT WHEEL RIGHT	1,000
58	25176	WHEEL CAP	1,000

PL02672

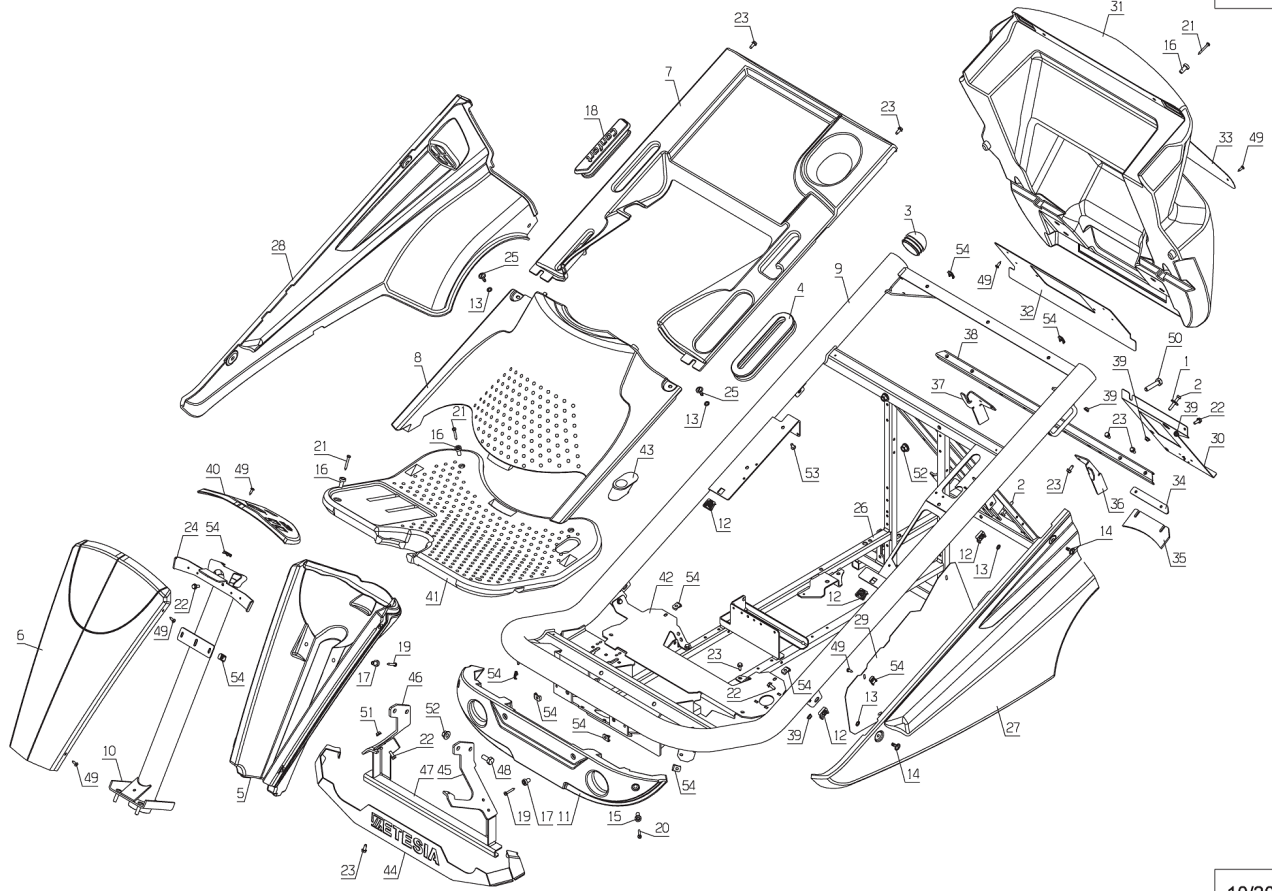


10/2023

Number	Part Number	Name	Quantity
1	22029	FLAT WASHER 6,5	1,000
2	22456	SCREW HM 6X40	1,000
3	28056	TUBE CAP 60	1,000
4	28242	COVER CUTTING HEIGH	1,000
5	36719	CONSOLE	1,000
6	36722	REAR CONSOLE WHITE	1,000
7	36723	REAR COVER WHITE	1,000
8	36724	FRONT COVER WHITE	1,000
9	36721	FRAME DIA.60 GREEN	1,000
10	36842	STEERING CONS.CPL.G	1,000
11	37328	STEERINGCOVER BLACK	1,000
12	37499	1/4 ROTATION LOCK	1,000
13	37500	1/4 ROTATION WASHER	1,000
14	37501	1/4 ROTATION SCREW	1,000
15	37796	BUSH LG 29.7	1,000
16	37797	BUSH LG 20	1,000
17	37798	BUSH LG 13	1,000
18	37825	PLUG	1,000
19	37836	SCREW ST4.8-32,C	1,000
20	37837	SCREW ST4.8-45,C	1,000
21	37901	SCREW ST4.8-38,C	1,000
22	37997	SCREW HM6-16 8.8	1,000
23	38408	SCREW HM6-16 8,8	1,000
24	38422	REINFORCING PLATE	1,000
25	39230	LOCK 1/4 ROTATION	1,000
26	39517	FRAME	1,000
27	55109	BLACK COVER LEFT	1,000
28	55110	BLACK COVER RIGHT	1,000
29	39541	PROTECTION PLATE	1,000
30	39548	REAR PLATE	1,000
31	39549	REAR COVER MKM	1,000
32	39553	BRACKET	1,000
33	39554	PLATE	1,000
34	39935	REINFORCING PLATTE	1,000
35	39936	BOTTOM	1,000
36	50761	LEFT BRACKET	1,000
37	50762	RIGHT BRACKET	1,000
38	50763	ROD	1,000
39	71201	NUT M6	1,000
40	52503	DASHBOARD	1,000
41	53251	FOOT	1,000

Number	Part Number	Name	Quantity
42	53294	BRACKET	1,000
43	54484	CAP	1,000
44	55171	PROTECTION	1,000
45	55172	LEFT REINFORCING.	1,000
46	55173	RIGHT REINFORCING.	1,000
47	55180	FUSS SCHUTZ	1,000
48	70086	HEXAGON SCREW,DIN 9	1,000
49	71111	TAPPING SCREW,DIN 7	1,000
50	71198	HEX.SCREW HM10X45	1,000
52	71249	SCREW M10	1,000
53	71277	SCREW 60X12	1,000
54	71459	NUT	1,000

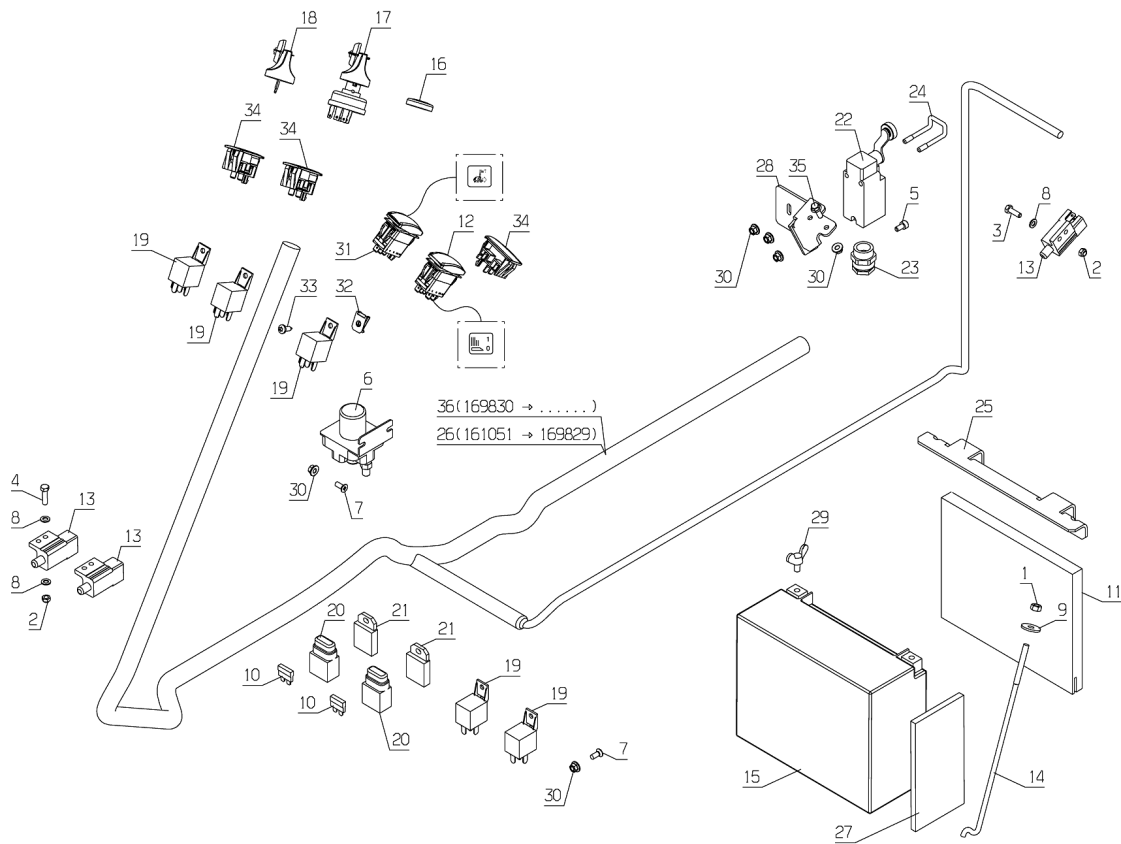
PL02670



10/2021

Number	Part Number	Name	Quantity
1	1557	NUT HM6	1,000
2	37561	NUT	1,000
3	2009	BOLT M5X16	1,000
4	5071	BOLT HM 5X20	1,000
5	5464	BOLT M5X10	1,000
6	16604	RELAY STARTER KIT	1,000
7	20563	SCREW M5 X 12	1,000
8	20564	WASHER 5,5	1,000
9	22029	FLAT WASHER 6,5	1,000
10	25828	FUSE 25A 12V	1,000
11	28015	BATTERY HEAT PROTEC	1,000
12	52494	SWITCH	1,000
13	28159	SWITCH	1,000
14	28164	BATTERY CLAMP ROD	1,000
15	52101	BATTERY	1,000
16	28382	KEY CONTACT. EMBEL.	1,000
17	28384	KEY CONTACTOR	1,000
18	28388	SET OF 2 KEY	1,000
19	28392	WATERPROOF RELAY	1,000
20	28582	PLUG FUSE HOLDER	1,000
21	28594	BRACKET	1,000
22	29257	SAFETY SWITCH	1,000
23	29789	CONTACTOR GROMMET	1,000
24	35213	SWITCH FIXING	1,000
25	35675	BATTERY ANGLE BRACK	1,000
26	39303	ELEC.WIRING.MKM	1,000
27	52788	ISOLATOR BATTERY	1,000
28	50083	SEATSWIT.BRACKET	1,000
29	71236	WING SCREW M6X12	1,000
30	71200	SCREW M5	1,000
31	52495	SWITCH ON/OFF/ON	1,000
32	71459	NUT	1,000
33	71111	TAPPING SCREW,DIN 7	1,000
34	52505	FRAME CONVER	1,000
35	37996	SCREW HM5-16 8.8	1,000
36	51669	ELECTRIC.WIRING MKM	1,000

PL02007



10/2021