

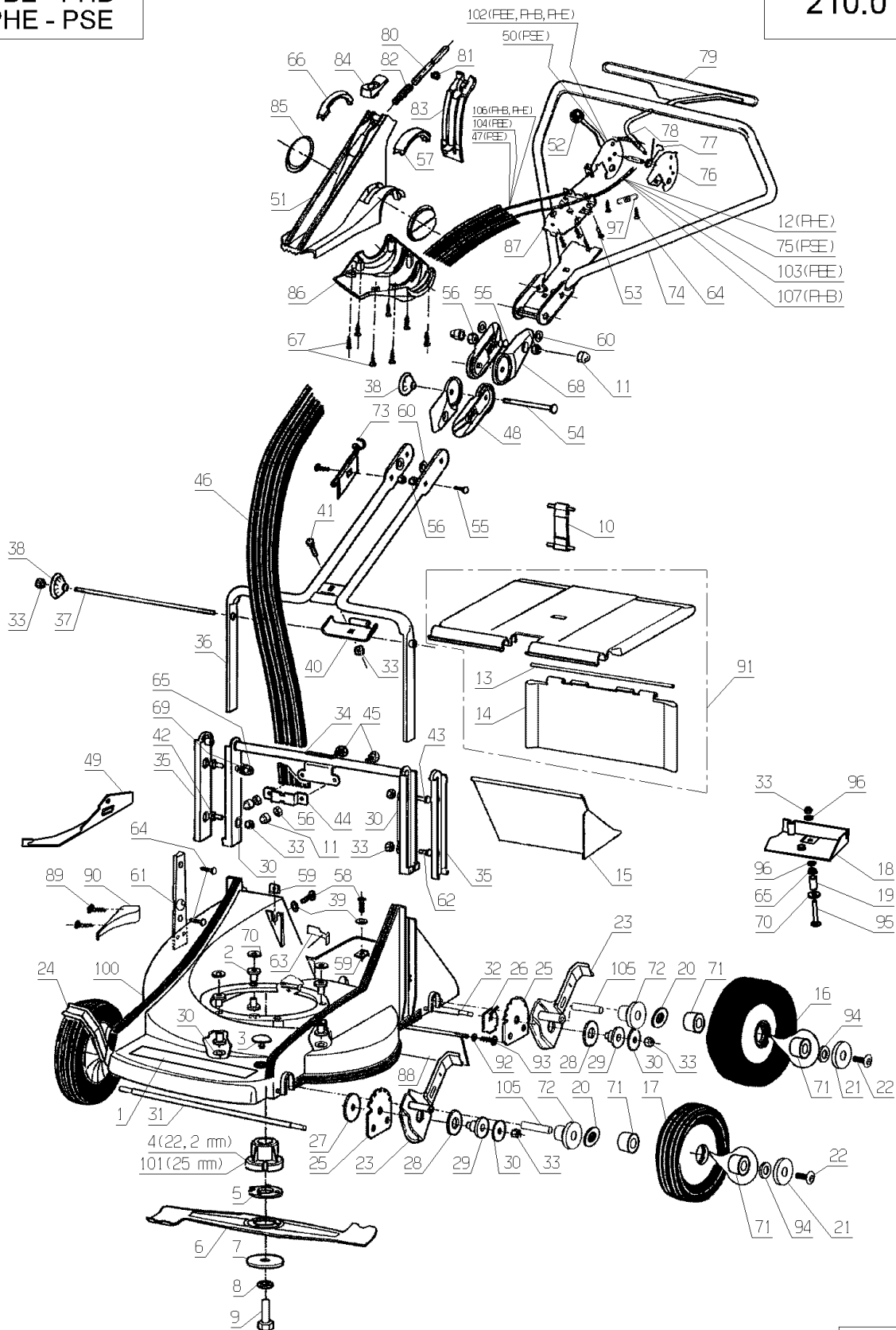
Number	Part Number	Name	Quantity
1	12048	STICKER 26*4	1,000
2	23604	INSULATION MUFF	1,000
3	23615	CAP	1,000
4	24616	THERMAL COUPL.22,2	1,000
5	23002	SHEAR WASHER	1,000
6	PZ46E	BLADES FOR PRO 46CM	1,000
7	7341	FLAT WASHER 10,3X49	1,000
8	71052	SPRING WASHER,DIN 1	1,000
9	7342	BOLT 3/8 - 24	1,000
10	23614	STRAP NG46 + ROD	1,000
11	24628	PROTECTING CAP HM6	1,000
12	23702	ENG.BRAKE TRANS.HON	1,000
13	23005	ROD	1,000
14	23607	DEFLECTOR QUARD 46	1,000
15	23712	WHITE INTERFACE 46	1,000
16	23274	WHEEL ASSY 200GREEN	1,000
17	23271	WHEEL ASSY 180GREEN	1,000
18	23812	BELT COVER 46 WHITE	1,000
19	23004	SPACER BELT COVER	1,000
20	9034	NYLON WASHER	1,000
21	24087	PROTECTION WASHER	1,000
22	71072	BOLT CHC M6X10	1,000
23	23418	CUT.HEIGHT R+F LEFT	1,000
24	23419	CUT.HEIGHT R+F RIGH	1,000
25	24020	NOTCHED DISK	1,000
26	23034	REAR PLATE	1,000
27	20021	WASHER 8,5X40X4	1,000
28	7330	WASHER	1,000
29	7047	SLEEVE	1,000
30	7035	FLAT WASHER	1,000
31	23070	FRONT LINKING SHAFT	1,000
32	23054	REAR LINKING SHAFT	1,000
33	71074	NUT HM8	1,000
34	23303	TUBE + RAIL ASSY	1,000
35	23612	INSULATION	1,000
36	23301	LOWER HANDLEBAR	1,000
37	23014	LOCKING PIN	1,000
38	24610	BUTTON (SMALL)	1,000
39	7094	FLAT WASHER	1,000
40	24014	COLLECTOR HOOK	1,000
41	2217	BOLT TRCC 8X16	1,000

Number	Part Number	Name	Quantity
42	9071	SCREW M8X20	1,000
43	5041	BOLT 8X30	1,000
44	23041	RING	1,000
45	71084	BOLT HM6X16 DIN 933	1,000
46	23653	REMOTE CONTR.SLEEVE	1,000
47	23675	THROTTLE CABL+SLEEV	1,000
48	24614	LOWER LOCKING JOINT	1,000
49	23252	CUT.DECK REINF.PBE	1,000
50	24354	THROTTLE - SUZUKI	1,000
51	23650	CENTRAL HOUSING	1,000
52	21177	BALL M8	1,000
53	71050	BOLT EJ.PT KA40X14	1,000
54	71028	BOLT TRCC 8X110	1,000
55	71060	BOLT TRCC 6X25	1,000
56	71201	NUT M6	1,000
57	24682	COVER	1,000
58	21437	SCREW	1,000
59	6178	CLIP NUT	1,000
60	2235	WASHER A6.4	1,000
61	23605	BLACK COVER	1,000
62	5347	SCREW 8X25	1,000
63	23009	SEALING PLATE-WHITE	1,000
64	71048	BOLT EJ.PT KA40X10	1,000
65	71076	NUT VERBUS HM8	1,000
66	24683	HALF CAP	1,000
67	71051	BOLT EJ.PT KA40X14	1,000
68	24629	UPPER LOCKING JOINT	1,000
69	7335	WASHER	1,000
70	22065	WASHER 25X8,5X3	1,000
71	5015	STUDED BUSH	1,000
72	7046	SLEEVE	1,000
73	24670	GUIDE-RECOIL START.	1,000
74	23306	UP. HANDL. ASSY PSE	1,000
75	23700	MOTOR-BRAKE TRAN.	1,000
76	24128	HS MOTOR BRAKE DISK	1,000
77	24778	SPRING	1,000
78	24131	BLACK SHAFT	1,000
79	23436	WHITE SAFETY CONTR.	1,000
80	24059	BOLT	1,000
81	24684	TRUARC RING	1,000
82	24609	SPRING	1,000

Number	Part Number	Name	Quantity
83	23652	CENTR.HOUSING REAR	1,000
84	24690	LOCKING BUTTON	1,000
85	23666	CAPSULE	1,000
86	23651	LOWER HOUSING	1,000
87	24050	SLEEVE STOP	1,000
88	23626	DECK FLAP 46	1,000
89	71206	BOLT EJ.PT KA50X16	1,000
90	24602	BASE PLATE BLACK	1,000
91	23414	DEFLECTOR GREEN CPL	1,000
92	20564	WASHER 5,5	1,000
93	71086	TAPP.SCREW B4,2X13	1,000
94	21270	WASHER 6,4	1,000
95	22031	SCREW 8X55	1,000
97	24838	SPRING	1,000
100	23810	46 CUT.DECK NM	1,000
101	23616	COUPLING 25 MM	1,000
102	23361	LEVER + SCREWS	1,000
103	23703	ENG.-BRAK.TRANS.B&S	1,000
104	23672	THROTTLE CABLE BRIG	1,000
105	5019	GUIDE RING	1,000
106	23685	THROTTLECABLE GCV	1,000
107	23723	BLADE CLUTCH CABLE	1,000

PBE - PHB  
PHE - PSE

210.01

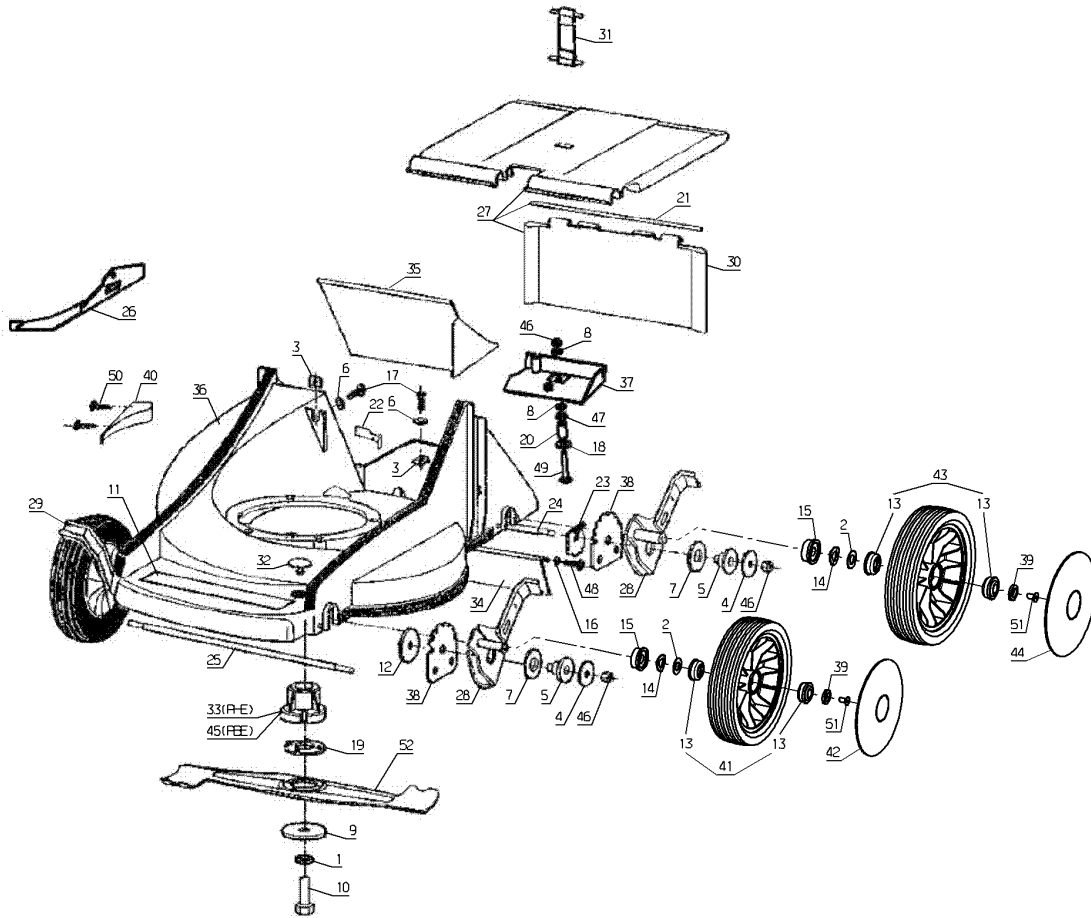


04/2009

Number	Part Number	Name	Quantity
1	71052	SPRING WASHER,DIN 1	1,000
2	6011	WASHER 12,2X23,2X1	1,000
3	6178	CLIP NUT	1,000
4	7035	FLAT WASHER	1,000
5	7047	SLEEVE	1,000
6	7094	FLAT WASHER	1,000
7	7330	WASHER	1,000
8	7335	WASHER	1,000
9	7341	FLAT WASHER 10,3X49	1,000
10	7342	BOLT 3/8 - 24	1,000
11	12048	STICKER 26*4	1,000
12	20021	WASHER 8,5X40X4	1,000
13	20533	BEARING DIAM.12	1,000
14	20536	CRINKLE WASHER	1,000
15	20537	WHEEL RING	1,000
16	20564	WASHER 5,5	1,000
17	21437	SCREW	1,000
18	22065	WASHER 25X8,5X3	1,000
19	23002	SHEAR WASHER	1,000
20	23004	SPACER BELT COVER	1,000
21	23005	ROD	1,000
22	23009	SEALING PLATE-WHITE	1,000
23	23034	REAR PLATE	1,000
24	23054	REAR LINKING SHAFT	1,000
25	23070	FRONT LINKING SHAFT	1,000
26	23252	CUT.DECK REINF.PBE	1,000
27	23414	DEFLECTOR GREEN CPL	1,000
28	23422	CUT.HEIGHT LEFT	1,000
29	23423	CUT.HEIGHT RIGHT	1,000
30	23607	DEFLECTOR QUARD 46	1,000
31	23614	STRAP NG46 + ROD	1,000
32	23615	CAP	1,000
33	23616	COUPLING 25 MM	1,000
34	23626	DECK FLAP 46	1,000
35	23712	WHITE INTERFACE 46	1,000
36	23810	46 CUT.DECK NM	1,000
37	23812	BELT COVER 46 WHITE	1,000
38	24020	NOTCHED DISK	1,000
39	24132	SHAFT WASHER	1,000
40	24602	BASE PLATE BLACK	1,000
41	24810	WHEEL 180 + BEARING	1,000

Number	Part Number	Name	Quantity
42	24922	WHEEL FLASK 180 GR.	1,000
43	24926	WHEEL 200 BALL B.	1,000
44	24927	WHEEL FLANGE 200	1,000
45	36467	COUPLING DIA.25	1,000
46	71074	NUT HM8	1,000
47	71076	NUT VERBUS HM8	1,000
48	71086	TAPP.SCREW B4,2X13	1,000
49	22031	SCREW 8X55	1,000
50	71206	BOLT EJ.PT KA50X16	1,000
51	71222	SCREW FHC/90 6X12	1,000
52	PZ46E	BLADES FOR PRO 46CM	1,000

PL01722



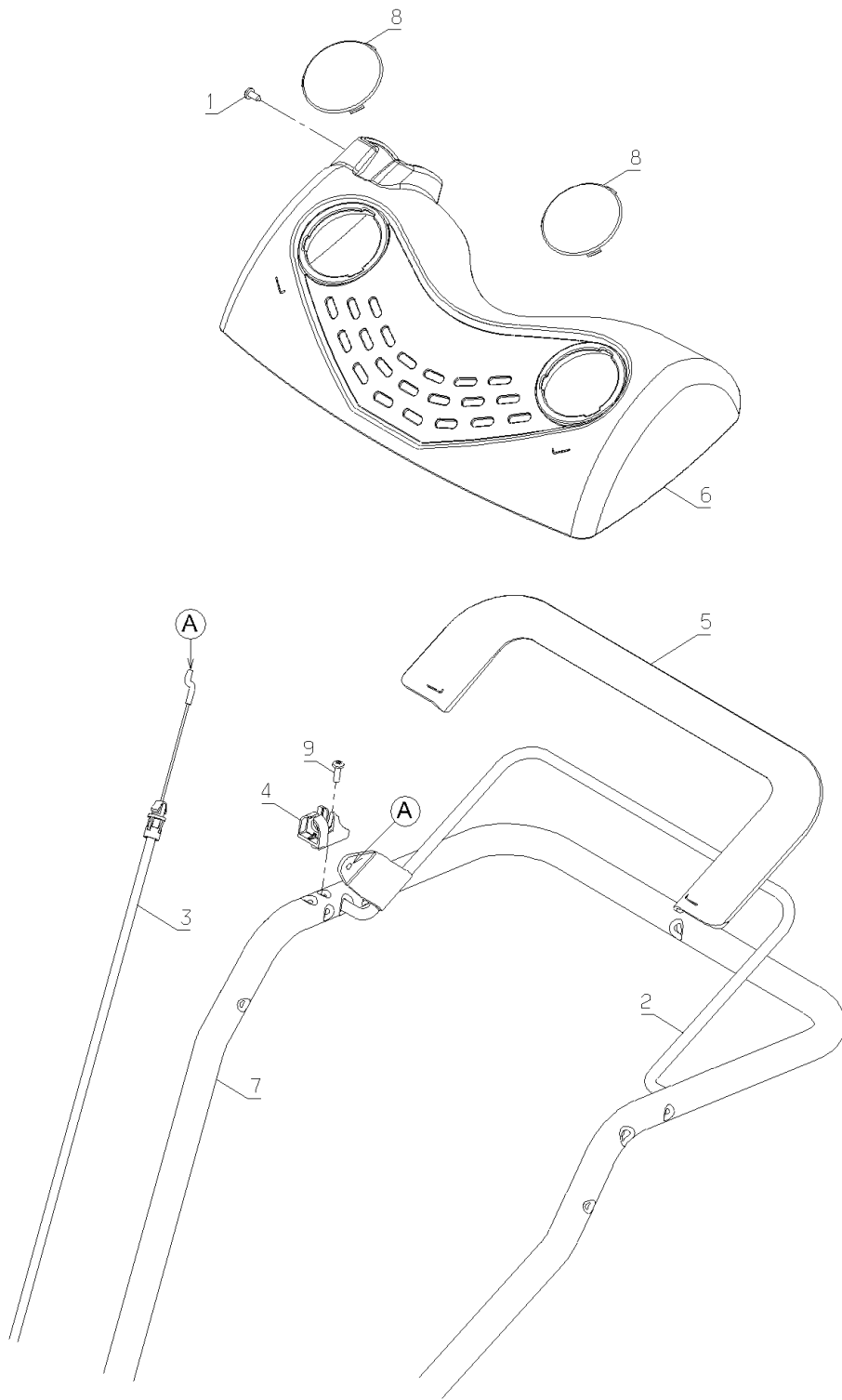
03/2011

Number	Part Number	Name	Quantity
1	21585	SCREW BZ 4,2X9,5	1,000
2	36904	LEVER	1,000
3	37057	ENGINE BRAKE CABLE	1,000
4	37173	STOP	1,000
5	37343	RUBBER PROTECTION	1,000
6	37611	COVER	1,000
7	37347	HANDLE BAR	1,000
8	43089	COVER	1,000
9	71279	SCREW B.42-13 4.6	1,000



PBE

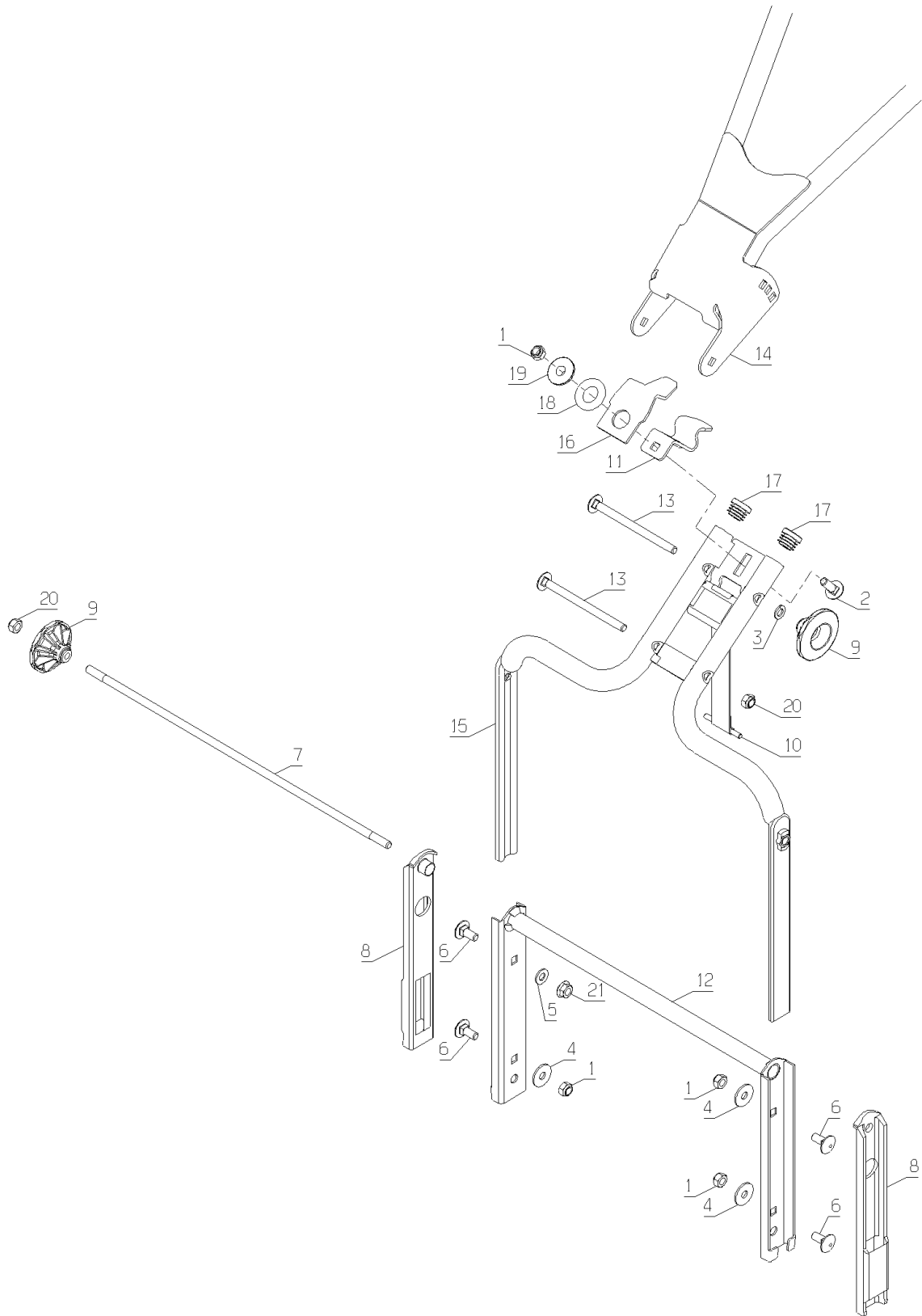
PL01462



01/2009

Number	Part Number	Name	Quantity
1	71205	SCREW M8	1,000
2	5347	SCREW 8X25	1,000
3	6416	WASHER	1,000
4	7035	FLAT WASHER	1,000
5	7335	WASHER	1,000
6	9071	SCREW M8X20	1,000
7	23014	LOCKING PIN	1,000
8	23612	INSULATION	1,000
9	24610	BUTTON (SMALL)	1,000
10	35567	STRAP	1,000
11	36432	HOOK	1,000
12	36084	TUBE + GUIDE	1,000
13	37089	SCREW	1,000
14	37347	HANDLE BAR	1,000
15	37348	HANDLE BAR	1,000
16	37530	STOP	1,000
17	41437	CAP 22X2,5	1,000
18	42088	O-RING 18X8	1,000
19	42092	BUSH	1,000
20	71074	NUT HM8	1,000
21	71076	NUT VERBUS HM8	1,000

PL01468

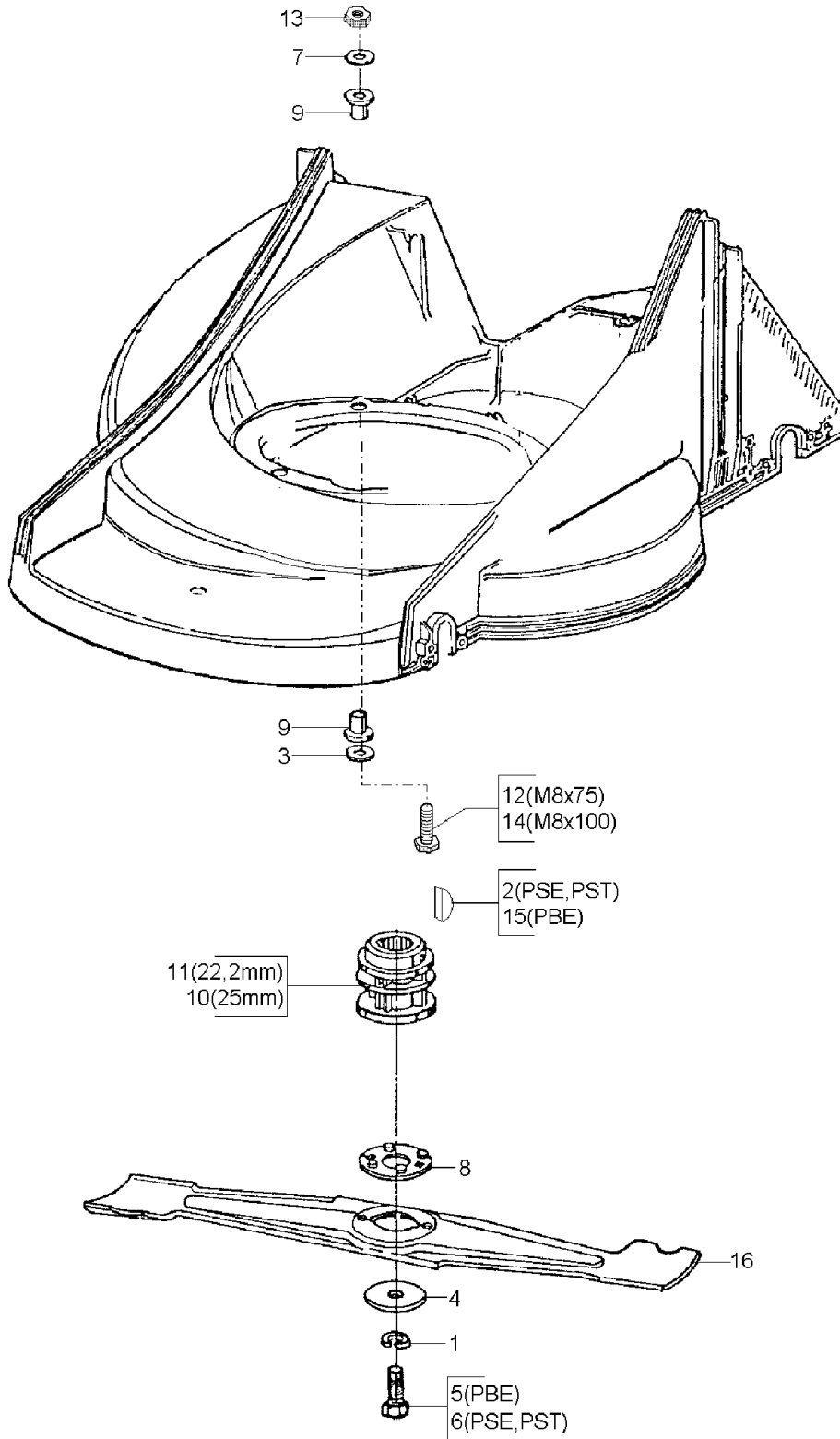


01/2009

Number	Part Number	Name	Quantity
1	71052	SPRING WASHER,DIN 1	1,000
2	3017	KEY 4X5	1,000
3	7035	FLAT WASHER	1,000
4	7341	FLAT WASHER 10,3X49	1,000
5	7342	BOLT 3/8 - 24	1,000
6	7357	-> 71031	1,000
7	22065	WASHER 25X8,5X3	1,000
8	23002	SHEAR WASHER	1,000
9	23604	INSULATION MUFF	1,000
10	23616	COUPLING 25 MM	1,000
11	24616	THERMAL COUPL.22,2	1,000
12	71067	HEXAG.SCREW HM8X75	1,000
13	71074	NUT HM8	1,000
14	71124	HEXAG.SCREW HM8X100	1,000
15	71127	KEY 4,8X6,5X15,72	1,000
16	PZ46E	BLADES FOR PRO 46CM	1,000

PBE - PSE  
PST

PL01131



09/2006

Number	Part Number	Name	Quantity
1	23925	COLLECT.LOWER PU46E	1,000
2	23926	COLLECT.UPPER PU46E	1,000
3	23927	GREEN DUST GARD	1,000
4	23904	COLLECTOR HANDLE 46	1,000
5	24991	-> 2X 24903	1,000
6	71164	STARLOCK TRIM	1,000
7	7335	WASHER	1,000
8	7094	FLAT WASHER	1,000
9	23253	FAN HOUSING NG46	1,000
10	21204	RIVET TP 4X7,9	1,000
11	24906	FOAM PADDING	1,000
12	23928	INDICATOR FILLING G	1,000

