

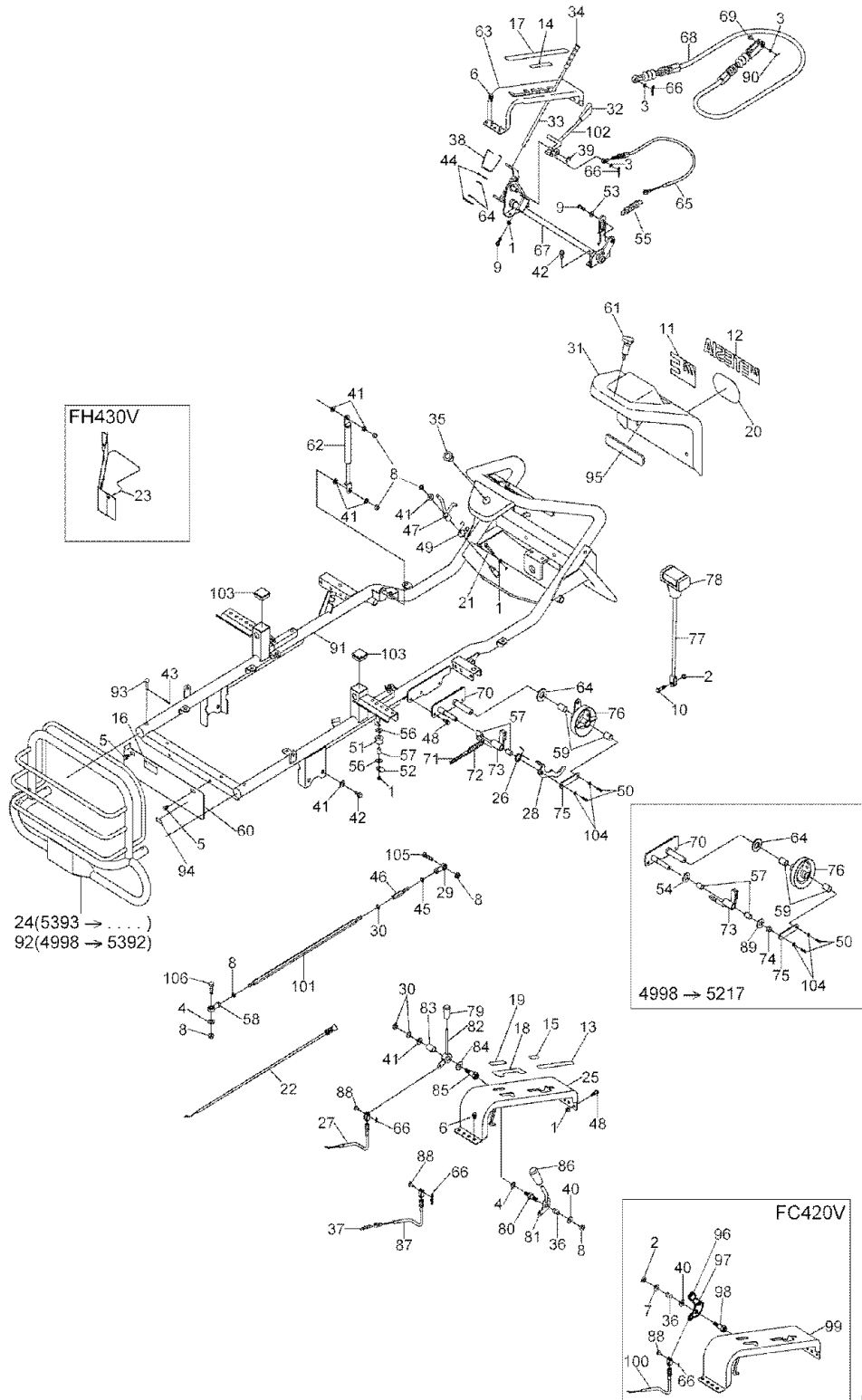
Number	Part Number	Name	Quantity
1	2020	NUT HM8	1,000
2	71205	SCREW M8	1,000
3	2235	WASHER A6.4	1,000
4	71052	SPRING WASHER,DIN 1	1,000
5	6169	SCREW HM8X16	1,000
6	71413	SCREW HM 8-20	1,000
7	7335	WASHER	1,000
8	9017	NUT HM10	1,000
9	9056	BOLT 8X25	1,000
10	9061	BOLT 8X30	1,000
11	12047	STICKER ETESIA	1,000
12	12048	STICKER 26*4	1,000
13	13110	STICKER VARIATOR	1,000
14	13115	CUT.HEIGHT LABEL	1,000
15	13118	STARTER STICKER	1,000
16	13119	BY-PASS STICKER	1,000
17	13166	CUT.HEIGHT LABEL	1,000
18	13168	LABEL DIFFER.LOCK	1,000
19	13169	LABEL THROTTLE	1,000
20	13204	AK85 STICKER	1,000
21	21687	HEXAGON SCREW,DIN 9	1,000
22	27172	STARTER CABLE	1,000
23	27179	REAR BELT COVER	1,000
24	27184	SUB FRAME	1,000
25	27187	DRIVE LEVER GUIDE	1,000
26	27191	SPRING	1,000
27	27192	GAS THROTTLE FH430	1,000
28	27195	LEVER	1,000
29	27206	ROD END HS 10 L	1,000
30	27231	COUNTER NUT M10X150	1,000
31	27278	FRONT COVER	1,000
32	27281	ARM GRIP	1,000
33	27286	CUTTING HEIG.LEVER	1,000
34	27287	HANDLE GRIP	1,000
35	27293	BUSH 22X15X33F	1,000
36	27304	CTRL.SHAFT SPRING	1,000
37	27307	SPRING	1,000
38	27312	SPRING	1,000
39	27313	SNAP RING E TYPE 12	1,000
40	27320	WASHER 10	1,000
41	27322	WASHER 10	1,000

Number	Part Number	Name	Quantity
42	27323	HEG.S.HM10X20+SPRIN	1,000
43	27324	SNAP PIN 8	1,000
44	27327	STUD	1,000
45	27328	NUT HM10 (LEFT)	1,000
46	27329	TURN BACKLE	1,000
47	34170	BRACK LOCK	1,000
48	27341	HEG.S.M8X20+WASHE	1,000
49	27344	RETURN SPRING	1,000
50	27347	HEX. SCREW M6X14	1,000
51	27348	GUIDE ROLLER	1,000
52	27350	PLATE	1,000
53	27414	WASHER 8X30X3,2	1,000
54	27415	WASHER 13X21X2,3	1,000
55	34102	SPRING	1,000
56	27390	WASHER 12X24X1	1,000
57	27520	BUSH MB 122 ODV	1,000
58	27551	ROD END PHS10EC	1,000
59	27612	DU BUSH 16-25	1,000
60	27692	REAR BELT COVER	1,000
61	27694	LONG KNOB BOLT 8X20	1,000
62	27695	GAS SPRING KMF50-40	1,000
63	27748	CUTT.HEIGHT GUIDE	1,000
64	27749	WASHER 16X32X3,2	1,000
65	27750	CUTTING CLUTCH WIRE	1,000
66	27751	SNAP PIN 6	1,000
67	27752	UP/DOWN ADJUS.SHAFT	1,000
68	27753	KNIFE BRAKE WIRE	1,000
69	27754	FLAT PIN 6X16	1,000
70	27755	CHANGE BRACKET	1,000
71	27756	CHANGE BRAKE ADJUST	1,000
72	27757	SPRING	1,000
73	27758	CHANGE BRAKE	1,000
74	27760	COLLAR	1,000
75	27761	CHANGE BEAM	1,000
76	27762	CHANGE BOSS	1,000
77	27763	CHANGE LEVER	1,000
78	27764	LEVER GRIP	1,000
79	27770	LEVER GRIP	1,000
80	27771	DIF.LOCK LEV. SHAFT	1,000
81	27772	DIF. LOCK LEVER	1,000
82	27776	THROTTLE LEVER	1,000

Number	Part Number	Name	Quantity
83	27777	DU BUSH 14.15	1,000
84	27778	BELLEVIL.SPRING H14	1,000
85	27779	THROTTL.LEVER SHAFT	1,000
86	27781	LEVER GRIP	1,000
87	27782	DIFF.LOCK CABLE	1,000
88	27783	FLAT HEADED PIN	1,000
89	27894	WASHER 13X22X1	1,000
90	27897	SPLIT PIN 2,5X20	1,000
91	27900	FRAME	1,000
92	27901	SUB FRAME	1,000
93	27902	FLAT HEAD PIN 8X50	1,000
94	27903	OIL LABEL	1,000
95	27905	CUSHION RUBBER	1,000
96	27922	LEVER GRIP	1,000
97	27923	THROTTLE LEVER	1,000
98	27924	LEVER	1,000
99	27925	LEVER GUIDE	1,000
100	27926	THROTTLE WIRE	1,000
101	27958	SHIFT ROD	1,000
102	27959	BLADE LEVER	1,000
103	27961	FRAME CAP	1,000
104	71049	SPRING WASHER,DIN 1	1,000
105	71110	HEXAGON SCREW,DIN 9	1,000
106	71242	HEX.SCREW HM10X35	1,000

AK85

401.01



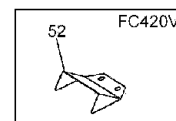
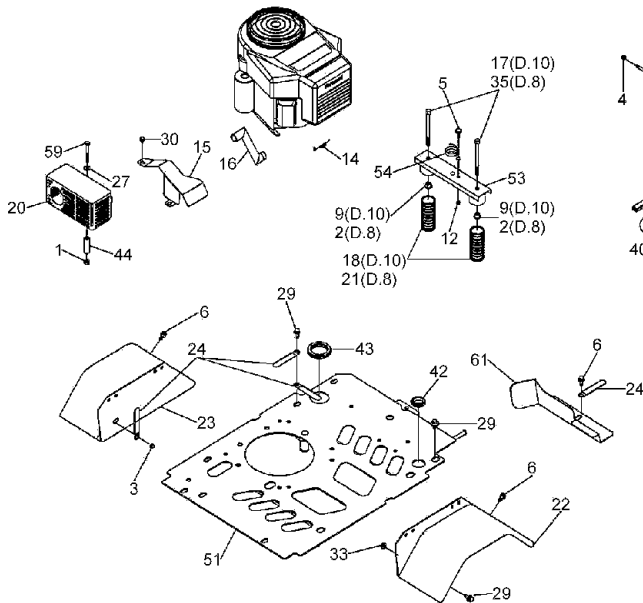
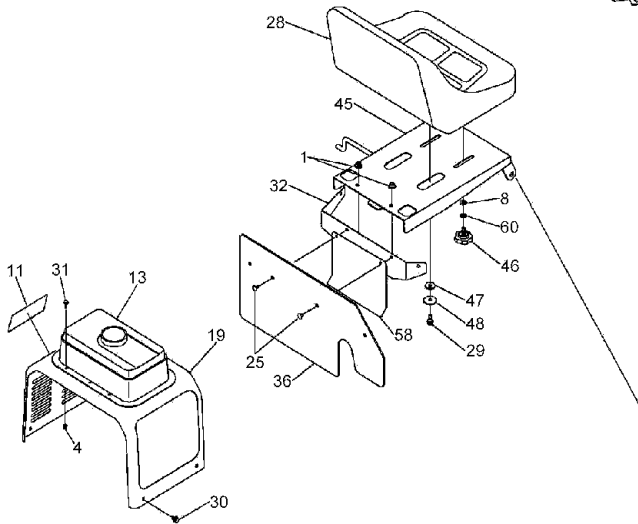
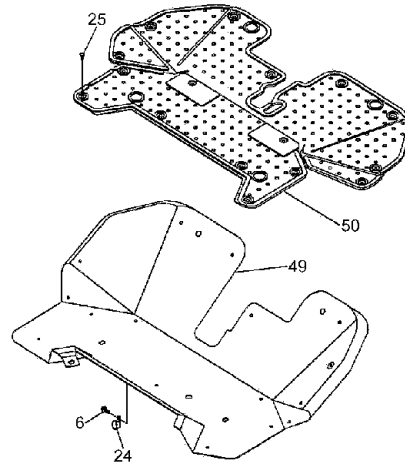
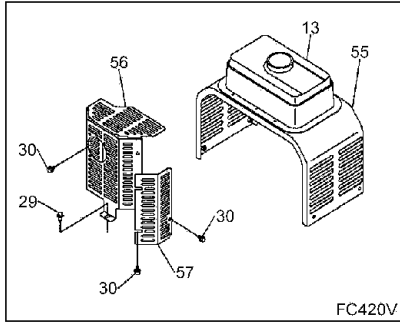
11/2007

Number	Part Number	Name	Quantity
1	2020	NUT HM8	1,000
2	71205	SCREW M8	1,000
3	5043	NUT	1,000
4	71201	NUT M6	1,000
5	37997	SCREW HM6-16 8.8	1,000
6	6169	SCREW HM8X16	1,000
7	7035	FLAT WASHER	1,000
8	7335	WASHER	1,000
9	9017	NUT HM10	1,000
10	36959	STICKER	1,000
11	13117	STICKER ATTILA	1,000
12	15104	NUT M6	1,000
13	15942	FUEL TANK	1,000
14	27171	SPRING	1,000
15	27174	PROTECTION GRID	1,000
16	27175	MUFFLER ADAPTER	1,000
17	27180	SEAT SCREW AK85	1,000
18	27183	SEAT SPRING	1,000
19	27186	FUEL TANK BRACKET	1,000
20	27194	PROTECTION GRID	1,000
21	27291	SEAT SPRING	1,000
22	27295	FENDER RIGHT	1,000
23	27296	FENDER LEFT	1,000
24	27314	HARNES CLIP	1,000
25	27319	GRIP	1,000
26	27321	SHAFT	1,000
27	27322	WASHER 10	1,000
28	27333	SEAT AV88	1,000
29	27341	HEG.S.M8X20+WASHE	1,000
30	27342	HEG.S. M8X16+WASHE	1,000
31	34302	SCREW M6X15	1,000
32	27419	BRACKET	1,000
33	27501	NUT FLANGE M8	1,000
34	27566	SNAP RING 12	1,000
35	27620	H.SCREW M8X80+SW	1,000
36	27699	WIND SHIELD	1,000
37	27702	SEAT BRACKET	1,000
38	27717	SEAT BRACKET SHAFT	1,000
39	27719	TRIM 15X350	1,000
40	27720	KNOB BOLT M8X20	1,000
41	27721	BONDED WASHER	1,000

Number	Part Number	Name	Quantity
42	27722	GROMMET 30-3,2	1,000
43	27723	GROMMET 45-3,5	1,000
44	27859	MUFF.FIXING PIPE	1,000
45	27906	SEAT RECEIVER	1,000
46	27907	KNOB BOLT 8X25	1,000
47	27908	WASHER 9X25X3,2	1,000
48	27909	WASHER 8X40X2,3	1,000
49	27910	STEP	1,000
50	27911	STEP RUBBER	1,000
51	27912	ENGINE BASE	1,000
52	27916	PROTECTION GUARD	1,000
53	27917	SEAT RECEIVER	1,000
54	27918	SEAT SWITCH SPRING	1,000
55	27919	TANK BRACKET	1,000
56	27920	MUFFLER COVER	1,000
57	27921	MUFFLER SIDE COVER	1,000
58	27963	REINFORCING PLATE	1,000
59	71289	H.SCREW M10X100 8,8	1,000
60	71343	SPRING WASHER A8	1,000
61	27734	WIND BLOCKING PLATE	1,000

AK85

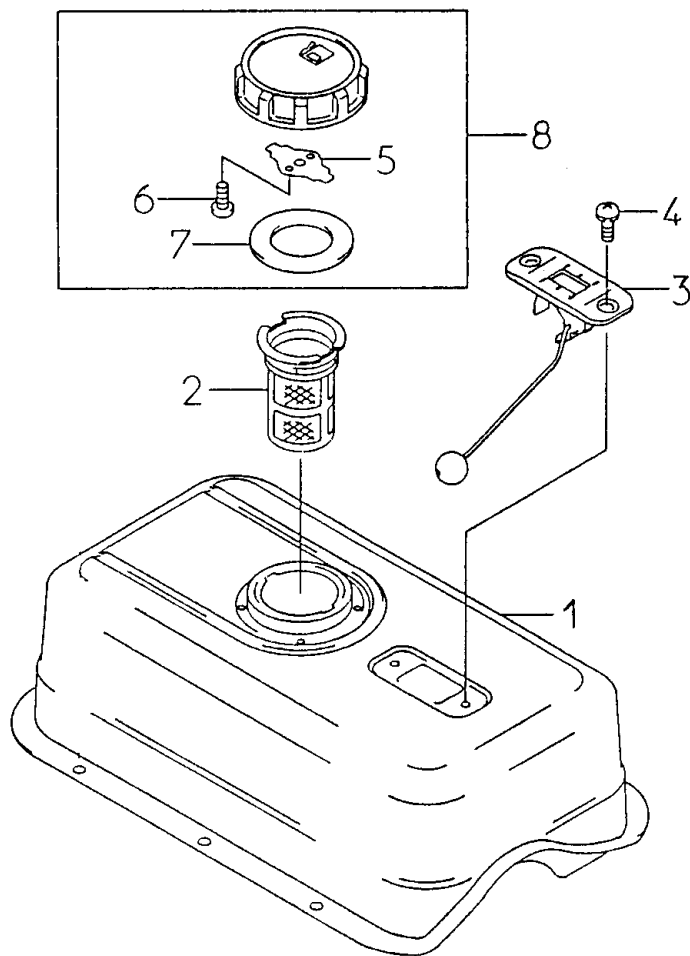
401.02



01/2006

Number	Part Number	Name	Quantity
1	15942	FUEL TANK	1,000
2	15943	STRAINER	1,000
3	15944	FUEL GAUGE	1,000
4	15945	SCREW	1,000
8	15427	SCREW	1,000
8	15948	TANKCAP COMPLETE	1,000
8	15947	GASKET	1,000

414.01 AV85-88



Number	Part Number	Name	Quantity
1	27927	FRONT AXLE	1,000
2	27660	DU BUSH 25.35	1,000
3	27661	CENTER PIN	1,000
4	25301	RH STD "HYDRAULIC"	1,000
5	71035	FLAT WASHER NFE 276	1,000
6	27353	SPRING WASHER A12	1,000
7	71157	NUT AUTOFR.HM12	1,000
8	27360	GREASE NIPPEL M 6	1,000
9	27359	NIPPLE BOLT M14	1,000
10	27358	WASHER	1,000
11	27357	COVER	1,000
12	27356	WASHER 20X30X1	1,000
13	27214	DU BUSH	1,000
14	27209	LOK NUT M10X125	1,000
15	27580	BALL LHSA10D21-125L	1,000
16	27579	COUNTERNUT M10X125L	1,000
17	27662	TIE ROD ADJUSTER	1,000
18	27231	COUNTER NUT M10X150	1,000
19	27577	BALL LHSA10DE21-125	1,000
20	27232	RACK SUPPORT	1,000
21	70086	HEXAGON SCREW,DIN 9	1,000
22	27341	HEG.S.M8X20+WASHE	1,000
23	27611	STEER.GEARBOX ASSY	1,000
25	40465	BEARING 6202	1,000
26	27706	STEERING VERT.SHAFT	1,000
27	27707	BEARING 6202 ZZ	1,000
28	71039	CIRCLIP,DIN 427 35X	1,000
29	27230	STEERING BOOTS	1,000
30	27229	STEERING BRACKET	1,000
31	27562	M8X16+SPRING WASH.	1,000
32	71068	HEXAGON SCREW,DIN 9	1,000
33	27414	WASHER 8X30X3,2	1,000
34	71413	SCREW HM 8-20	1,000
35	15848	SPRING WASHER	1,000
36	7335	WASHER	1,000
37	5043	NUT	1,000
38	27423	BEARING COVER	1,000
39	20606	KEY 5X5X20	1,000
40	9756	BOLT M8X16	1,000
41	27424	LOWER STEER.SHAFT	1,000
42	27421	UPPER STEER.SHAFT	1,000

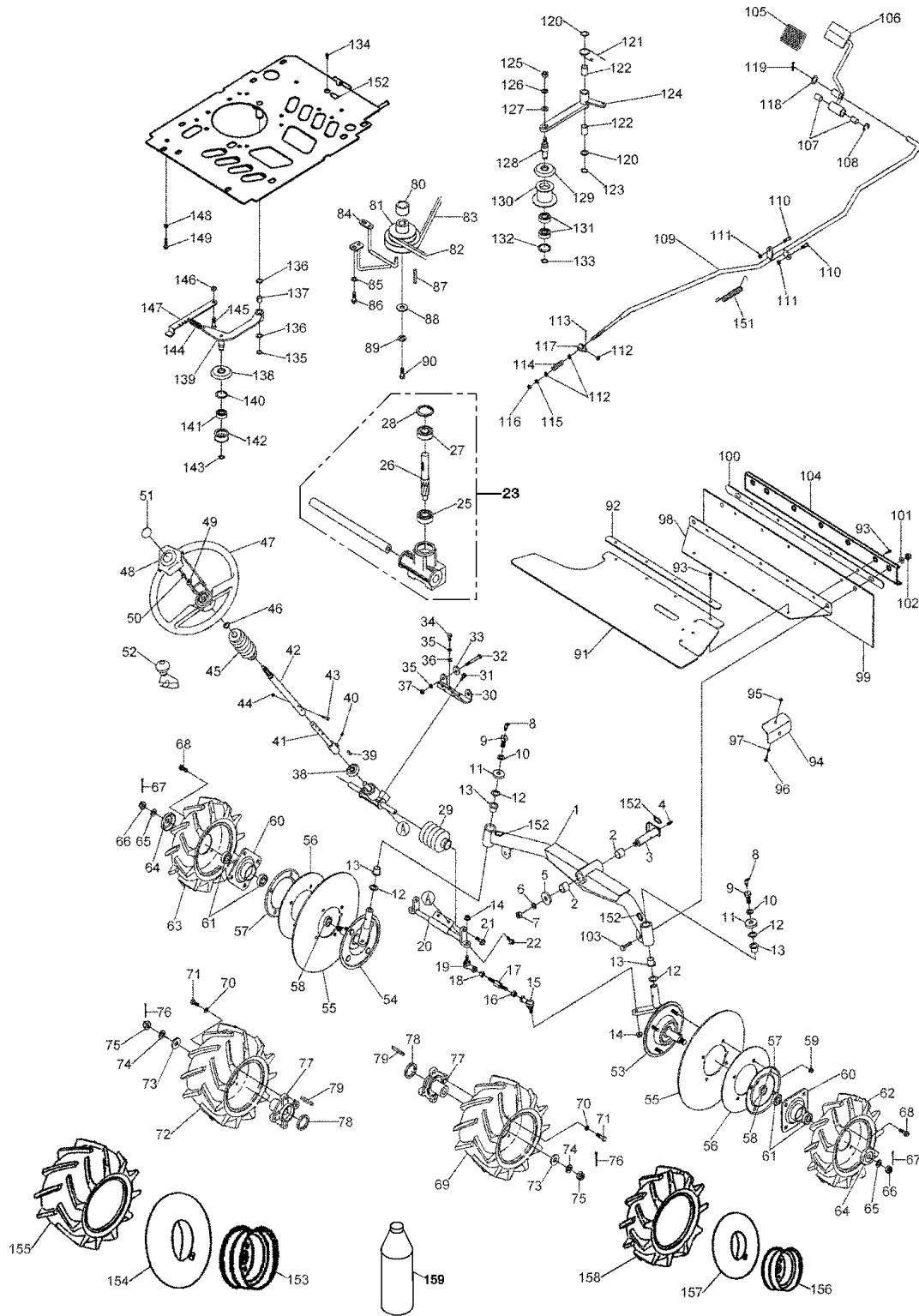
Number	Part Number	Name	Quantity
43	71259	SCREW HM6X35	1,000
44	71201	NUT M6	1,000
45	27420	STEERING BELLOW	1,000
46	27364	WASHER 16X24X1	1,000
47	27430	STEERING WHEEL	1,000
48	27433	STEERING CAP	1,000
49	27320	WASHER 10	1,000
50	9017	NUT HM10	1,000
51	25330	BADGE - ETESIA	1,000
52	27425	STEERING WHEEL	1,000
53	27663	KING PIN RIGHT	1,000
54	27664	KING PIN LEFT	1,000
55	27665	FRONT WHEEL COVER	1,000
56	27708	FRONT WHEEL RUBBER	1,000
57	27709	FR.WHEEL RUBB.COVER	1,000
58	27710	KING PIN COLLAR	1,000
59	71205	SCREW M8	1,000
60	27666	FRONT WHEEL BOSS	1,000
61	34536	BEARING	1,000
62	27237	RIGHT FRONT WHEEL	1,000
63	27236	LEFT FRONT WHEEL	1,000
64	27667	FR.WHEEL DUST COVER	1,000
66	34378	NUT SLOTTED	1,000
67	27668	SPLIT PIN 2,5X25	1,000
68	27323	HEG.S.HM10X20+SPRIN	1,000
69	27244	RIGHT REAR WHEEL	1,000
70	71052	SPRING WASHER,DIN 1	1,000
72	27239	LEFT REAR WHEEL	1,000
73	27437	WASHER 16X40X4,5	1,000
74	27436	SPRING WASHER	1,000
75	27435	NUT M16	1,000
76	27327	STUD	1,000
77	27512	REAR WHEEL BOSS	1,000
78	27712	WHEEL BOS DUST SEAL	1,000
79	27556	KEY 7X50	1,000
80	27228	ENGINE COLLAR 26	1,000
81	27669	ENGINE PULLEY	1,000
82	27670	TRANSMISSION BELT	1,000
83	27216	BLADE BELT	1,000
84	27671	BLADE BELT STOPPER	1,000
87	27303	KEY	1,000

Number	Part Number	Name	Quantity
88	27713	WASHER 11X40X6	1,000
89	27553	SNAP RING 20	1,000
90	27362	SCREW UNF7/16-20X45	1,000
91	27933	UPPER FLAPPER	1,000
92	27934	UPPER FLAPPER HOLD.	1,000
93	34302	SCREW M6X15	1,000
94	27677	UP.FLAPPER HOLDER R	1,000
96	37997	SCREW HM6-16 8.8	1,000
97	2235	WASHER A6.4	1,000
98	27928	FRONT UPPER GUARD	1,000
99	27245	FRONT FLAPPER	1,000
100	27557	FRONTGUARD	1,000
103	71242	HEX.SCREW HM10X35	1,000
104	27930	FOOD GUARD	1,000
105	27224	PEDAL RUBBER	1,000
106	27678	BRAKE PEDAL	1,000
107	27612	DU BUSH 16-25	1,000
108	1513	CIRCLIP 15	1,000
109	27931	BRAKE ROD	1,000
113	27337	SPLINT PIN 2X15	1,000
114	27682	BRAKE SPRING	1,000
115	2020	NUT HM8	1,000
117	27820	BRAKE JOINT	1,000
118	27309	WASHER 12	1,000
119	27566	SNAP RING 12	1,000
121	27391	RETURN SPRING	1,000
123	27365	SNAP RING 16	1,000
124	27684	KNIFE TENSION ARM	1,000
128	34100	TENSIO.PULLEY SHAFT	1,000
129	27226	RUBBER COVER 58	1,000
130	27227	KNIF.TENS.PULLEY	1,000
133	71047	CIRCLIP DIN 471 15X	1,000
139	27366	DRIVING TENSION ARM	1,000
140	27374	SNAP RING 40	1,000
141	6058	BEARING 62032RS	1,000
142	27221	TENSION PULLEY	1,000
143	27376	SNAP RING 17	1,000
144	27222	TENS.SPRING	1,000
147	27935	TENSION ARM	1,000
149	7038	SCREW,DIN933 H M 8X	1,000
151	27936	SPRING	1,000

Number	Part Number	Name	Quantity
152	27937	LABEL GREASE	1,000
153	27394	REAR WHEEL	1,000
154	28353	INNER TUBE REAR	1,000
155	27375	REAR TYRE	1,000
156	27393	FRONT RIM	1,000
157	27387	INNER O AIR TUBE FR	1,000
158	27377	FRONT TYRE	1,000
159	28461	TYRES LIQUID SEAL	1,000

AK85

403.01



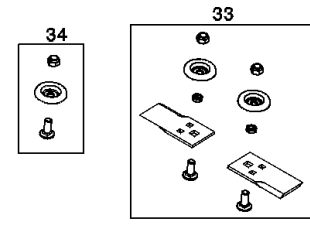
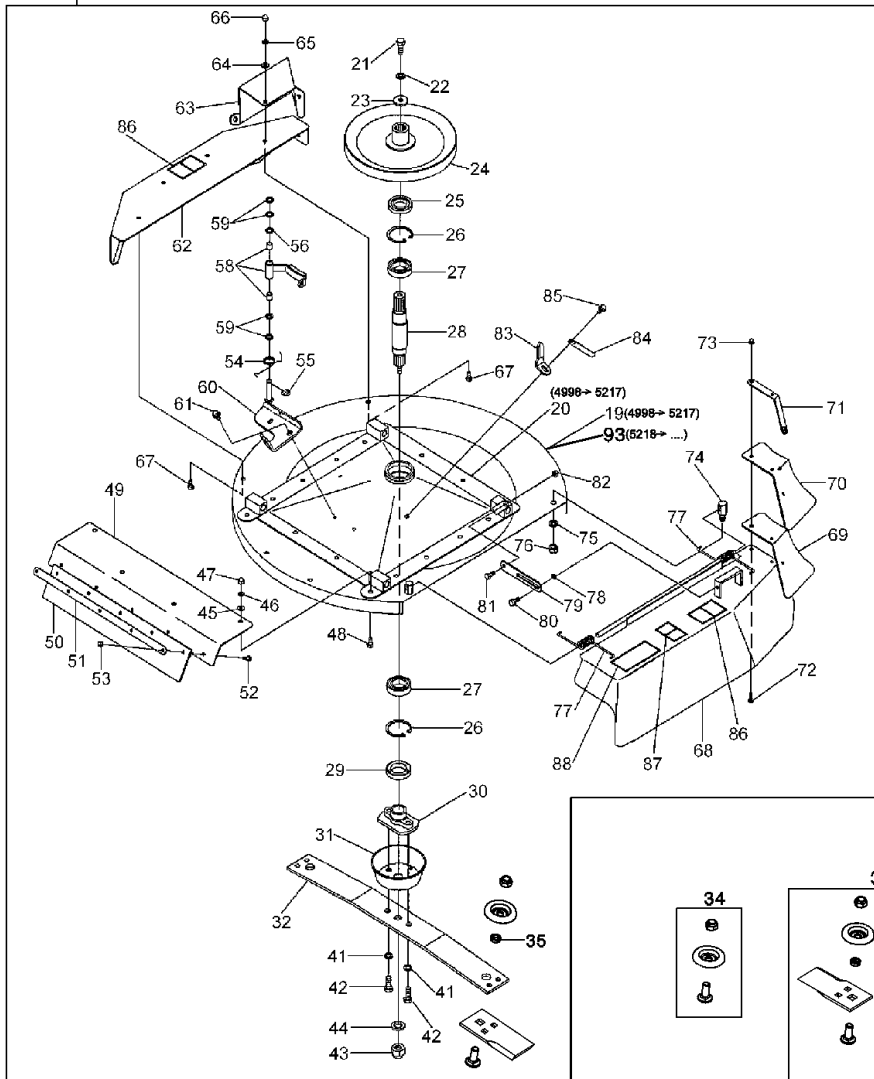
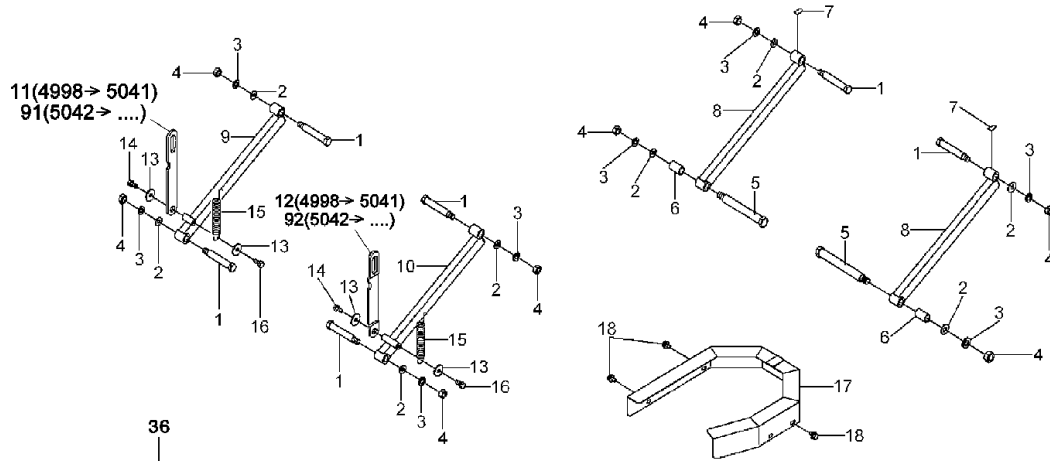
02/2014

Number	Part Number	Name	Quantity
1	27938	SHAFT	1,000
2	71035	FLAT WASHER NFE 276	1,000
3	27353	SPRING WASHER A12	1,000
4	71157	NUT AUTOFR.HM12	1,000
5	27868	LINK PIN	1,000
6	27869	LINK COLLAR	1,000
7	27939	LABEL OILING	1,000
8	27404	LINK FRONT	1,000
9	27405	LINK LEFT REAR	1,000
10	27403	LINK RIGHT REAR	1,000
11	27401	CONNECTING PLATE	1,000
12	27402	CONNECTING PLATE	1,000
13	27940	WASHER 8X25X2,3	1,000
14	27413	SCREW 8X25 + SPRING	1,000
15	27275	SPRING	1,000
16	27342	HEG.S. M8X16+WASHE	1,000
17	27396	KNIFE BELT COVER	1,000
19	27251	SAFETY COVER CMP	1,000
20	27563	AXLE HOLDER CMP	1,000
21	27409	SCREW M12X30	1,000
23	27410	WASHER 12X36X4,5	1,000
24	27400	KNIFE PULLEY	1,000
25	27254	OIL SEAL UE35.62.10	1,000
26	27397	SNAP RING 62	1,000
27	24832	BEARING 6007-2RS1	1,000
28	27573	BLADE SHAFT	1,000
29	27571	OIL SEAL VE40-62-12	1,000
30	27582	BLADE COUPLING 88	1,000
31	27262	KNIFE NECK GUARD	1,000
32	27261	KNIFE STAY	1,000
33	MC85	SWING TIP KIT	1,000
34	27543	FIXING KIT MC85	1,000
35	27266	KNIFE COLLAR	1,000
36	27697	CUTT.DECK CPLT AK85	1,000
43	34292	STOP NUT M20	1,000
44	27408	SPRING WASHER 20	1,000
45	7335	WASHER	1,000
46	71343	SPRING WASHER A8	1,000
47	5043	NUT	1,000
48	71413	SCREW HM 8-20	1,000
49	27272	REAR GUARD ASSY	1,000

Number	Part Number	Name	Quantity
50	27941	REARGUARD FLAPPER	1,000
51	27373	R.GUARD FLAP.HOLDER	1,000
52	34302	SCREW M6X15	1,000
53	27370	NUT FLANGE M6	1,000
54	27564	SPRING	1,000
55	27428	E TYPE RING 10	1,000
56	27894	WASHER 13X22X1	1,000
58	27256	KNIFE BRAKE	1,000
59	27415	WASHER 13X21X2,3	1,000
60	27878	KNIFE BRAKE BRACKET	1,000
62	27942	LEFT COVER	1,000
63	27943	LEFT FRONT COVER	1,000
65	15848	SPRING WASHER	1,000
67	27562	M8X16+SPRING WASH.	1,000
68	27269	COVER RIGHT	1,000
69	27944	RIGHT FRONT COVER	1,000
70	27270	FLAPPER FOR COVER R	1,000
71	27271	FLAPPER STOPPER R.	1,000
72	20507	BOLT HM 6X20	1,000
74	27592	BOLT FOR DEFLECTOR	1,000
76	27591	NUT M12	1,000
77	28245	FLAP SPRING	1,000
79	27274	ARM FOR COVER RIGHT	1,000
80	27417	DEFLECTOR SCREW	1,000
82	71205	SCREW M8	1,000
83	27412	BELT GUIDE	1,000
84	27314	HARNESS CLIP	1,000
86	13064	STICKER COLER OPEN	1,000
87	13062	STICKER CUT-DECK	1,000
88	13089	ETIQ. TRAPPE FR.	1,000
91	27182	LEFT ARM	1,000
92	27181	RIGHT ARM	1,000
93	34094	SAFETY COVER AK85	1,000

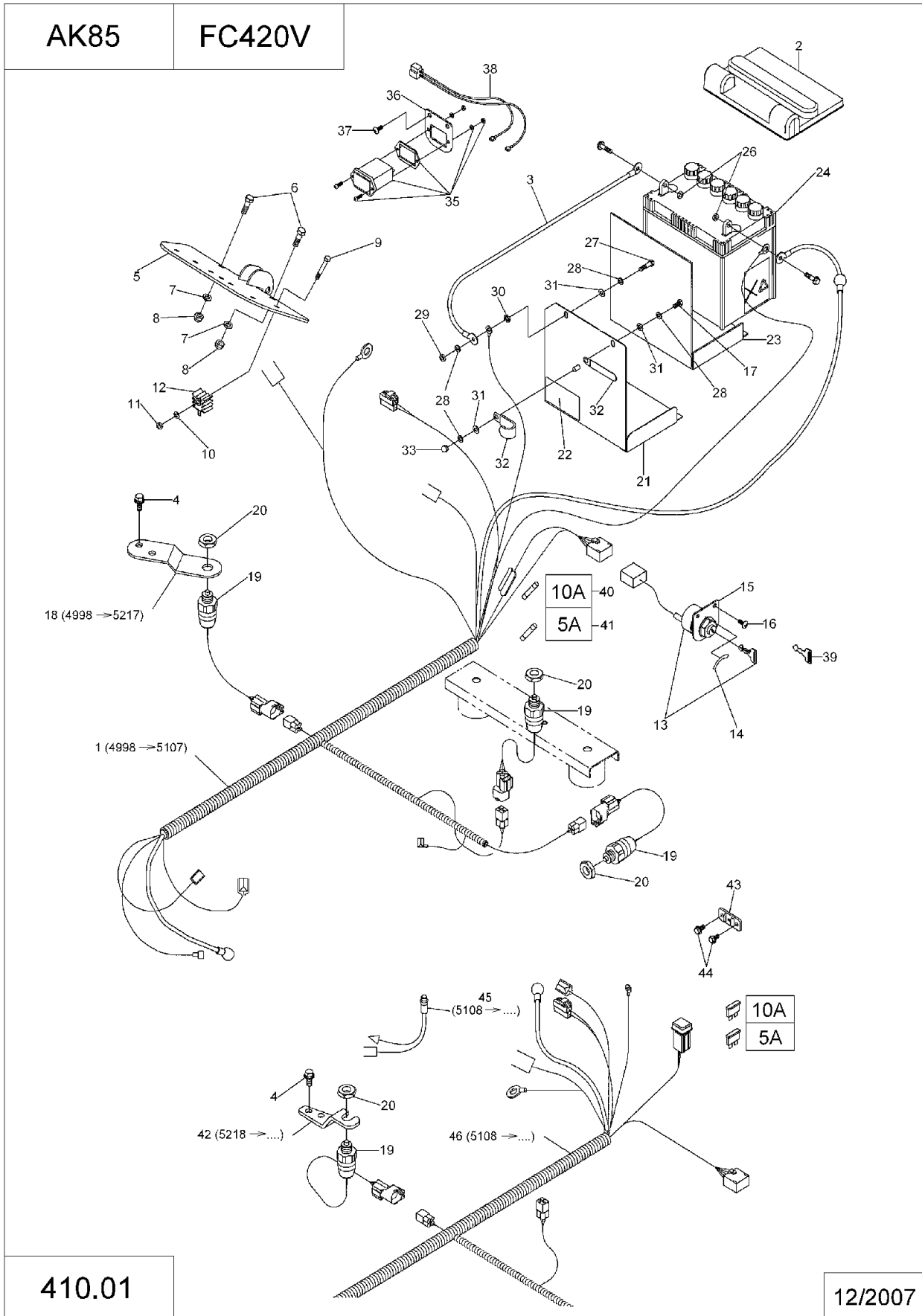
AK85

405.01



12/2011

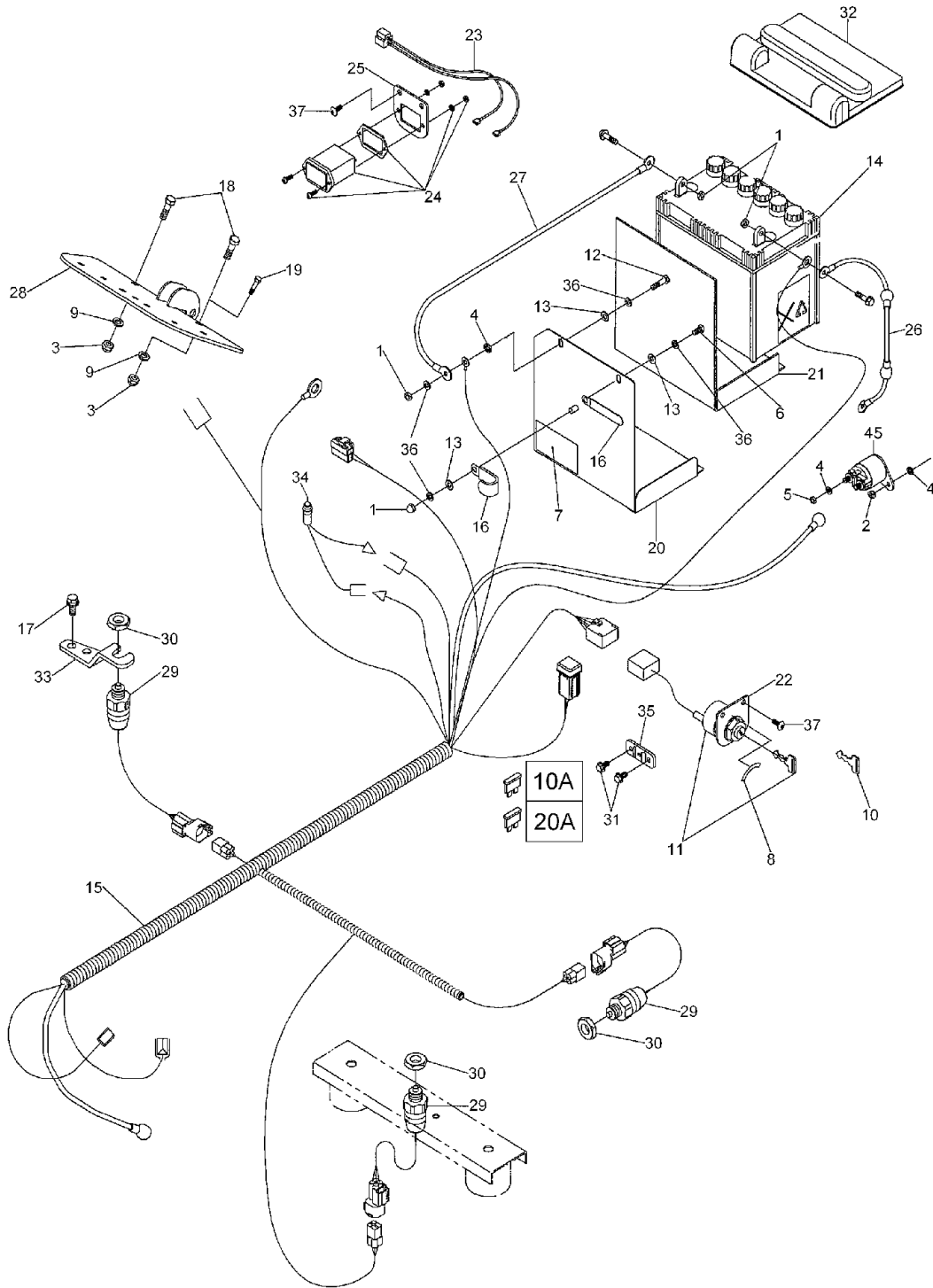
Number	Part Number	Name	Quantity
1	27185	ELECTRICAL WIRING	1,000
2	27946	BATTERY COVER	1,000
3	27848	BATT.MINUS CORD 230	1,000
4	27341	HEG.S.M8X20+WASHE	1,000
5	27853	LIGHT BRACKET	1,000
6	27562	M8X16+SPRING WASH.	1,000
7	15848	SPRING WASHER	1,000
8	5043	NUT	1,000
9	9745	BOLT M6X35	1,000
10	71049	SPRING WASHER,DIN 1	1,000
11	15104	NUT M6	1,000
12	18096	TENSION REGULATOR	1,000
13	18115	KEY SWITCH	1,000
14	13121	LABEL KEY	1,000
15	27522	SWITCH BRACKET	1,000
16	37997	SCREW HM6-16 8.8	1,000
18	27857	CUT.H.SWITCHBRACKET	1,000
19	27855	SAFETY SWITCH	1,000
20	27856	SWITCH LOCK NUT	1,000
21	27516	BATTERY CARRIER	1,000
22	13113	STICKER	1,000
23	27517	CUSHION RUBBER	1,000
24	25800	-> 100217	1,000
26	27560	BATTERY NUT M6	1,000
27	20693	HEX.SCREW HM6X25	1,000
31	21270	WASHER 6,4	1,000
32	27314	HARNESS CLIP	1,000
33	27370	NUT FLANGE M6	1,000
35	27608	HOUR METER	1,000
36	27609	HOUR METER BRACKET	1,000
38	27607	WIRE HARNESS HOUR M	1,000
39	18114	KEY	1,000
40	27947	FUSE 10A 12V	1,000
41	27243	FUSE 5A	1,000
42	27960	SWITCH BRACKET	1,000
43	27992	FUSE BRACKET	1,000
44	27896	SCREW+WASHER HM6X12	1,000
45	27991	INDICATOR	1,000



Number	Part Number	Name	Quantity
1	1504	WING NUT	1,000
2	37561	NUT	1,000
3	2020	NUT HM8	1,000
4	71049	SPRING WASHER,DIN 1	1,000
5	71201	NUT M6	1,000
6	37997	SCREW HM6-16 8.8	1,000
7	13113	STICKER	1,000
8	13121	LABEL KEY	1,000
9	15848	SPRING WASHER	1,000
10	18114	KEY	1,000
11	18115	KEY SWITCH	1,000
12	20693	HEX.SCREW HM6X25	1,000
13	21270	WASHER 6,4	1,000
14	25800	-> 100217	1,000
15	27173	ELEC.WIRING FH430V	1,000
16	27314	HARNESS CLIP	1,000
17	27341	HEG.S.M8X20+WASHE	1,000
18	27342	HEG.S. M8X16+WASHE	1,000
19	27343	HEG.SCREW M8X30+WAS	1,000
20	27516	BATTERY CARRIER	1,000
21	27517	CUSHION RUBBER	1,000
22	27522	SWITCH BRACKET	1,000
23	27607	WIRE HARNESS HOUR M	1,000
24	27608	HOUR METER	1,000
25	27609	HOUR METER BRACKET	1,000
26	27847	BATTER.PLUS CORD230	1,000
27	27848	BATT.MINUS CORD 230	1,000
28	27853	LIGHT BRACKET	1,000
29	27855	SAFETY SWITCH	1,000
30	27856	SWITCH LOCK NUT	1,000
31	27896	SCREW+WASHER HM6X12	1,000
32	27946	BATTERY COVER	1,000
33	27960	SWITCH BRACKET	1,000
34	27991	INDICATOR	1,000
35	27992	FUSE BRACKET	1,000
45	34379	SOLENOID	1,000

AK85

FH430V



410.02

09/2008

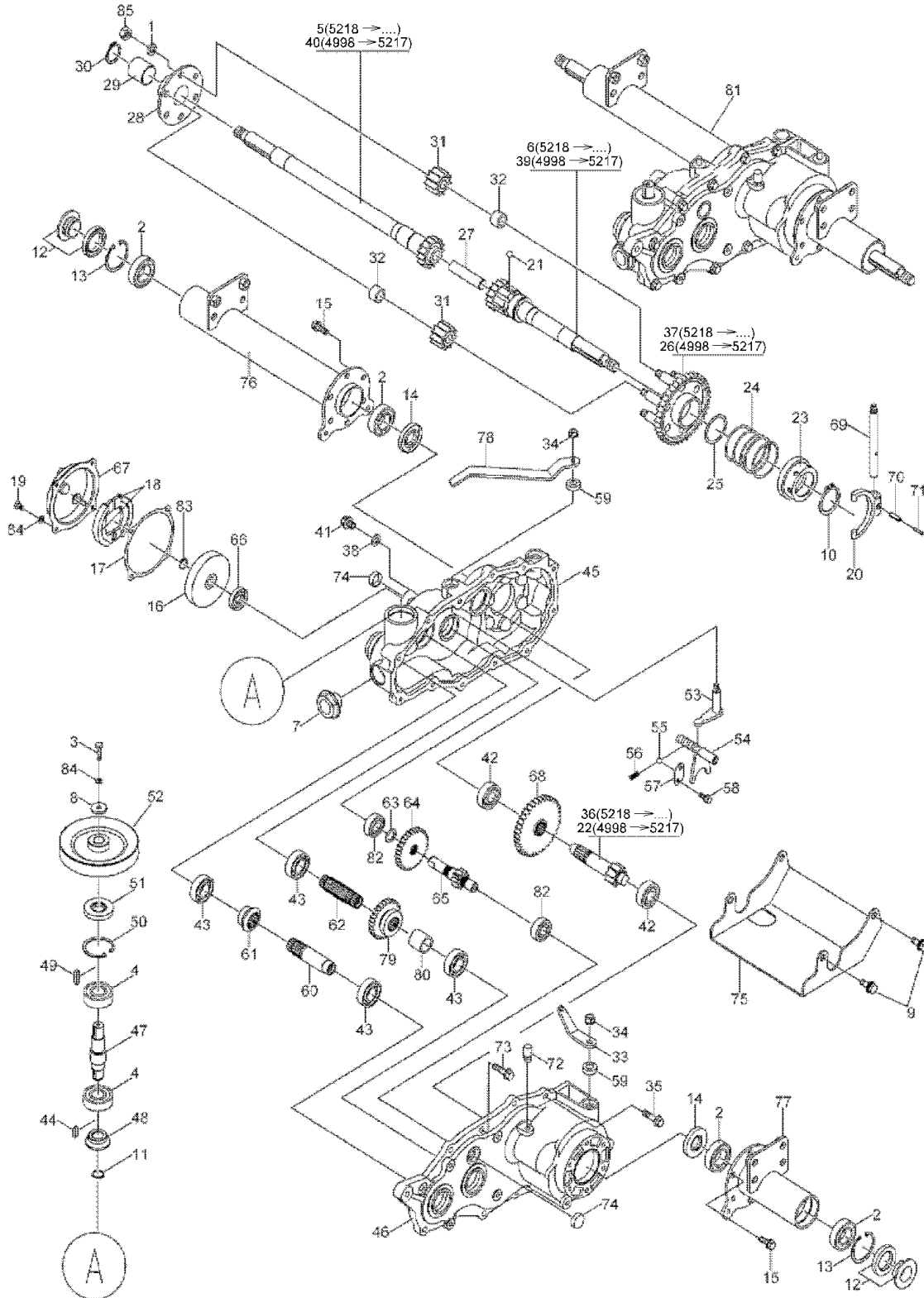
Number	Part Number	Name	Quantity
1	71052	SPRING WASHER,DIN 1	1,000
2	27653	BEARING 6005	1,000
3	20507	BOLT HM 6X20	1,000
4	34536	BEARING	1,000
5	27188	LEFT SHAFT	1,000
6	27189	RIGHT SHAFT	1,000
7	27212	OIL GAUGE	1,000
8	27220	WASHER 6,5X22X3,2	1,000
9	34302	SCREW M6X15	1,000
10	27638	OUT.CIRCLIP 40	1,000
11	27376	SNAP RING 17	1,000
12	27441	OIL SEAL AP 30X47X7	1,000
13	27442	SNAP RING 47	1,000
14	27445	OIL SEAL UE 28X47X8	1,000
15	27446	SCREW 8X20 + WASHER	1,000
16	27453	BRAKE DRUM (PA-7)	1,000
17	34585	GASKET	1,000
18	27455	BRAKE SHOE SET	1,000
19	27457	HEXA.SCREW M6X12 8T	1,000
20	27464	FORK	1,000
21	27481	STEEL BALL DIA.7,5	1,000
22	27483	D AXLE	1,000
23	27485	DIFF.LOCK CONE	1,000
24	27486	DIFF.LOCK SPRING	1,000
25	27487	WASHER 40X48X1,0	1,000
26	27488	AXLE GEAR	1,000
27	27490	AXLE PIN	1,000
28	27492	DIFF.LOCK PLATE	1,000
29	27493	BUSH 28.30	1,000
30	27494	SNAP RING 28	1,000
31	27495	DIFF.LOCK GEAR 11T	1,000
32	27496	AXLE COLLAR DIFF.	1,000
33	27500	DIFFERENT.LOCK ARM	1,000
34	27501	NUT FLANGE M8	1,000
35	27502	BOLT+WASHER HM8X25	1,000
36	27533	D. AXLE	1,000
37	27534	AXLE GEAR CMP	1,000
38	27535	WASHER 10,5X18X1,6	1,000
39	27599	AXLE RIGHT 88	1,000
40	27600	AXLE LEFT 88	1,000
41	27605	SCREW M10-12 (125)	1,000

Number	Part Number	Name	Quantity
42	27649	BEARING 6203	1,000
43	27651	BEARING 6004	1,000
44	27681	KEY 5X16	1,000
45	27791	TRANSMIS.CASE LEFT	1,000
46	27792	TRANSMIS.CASE RIGHT	1,000
47	27793	A AXLE	1,000
48	27795	20T SPIR.MITA GEAR	1,000
49	27796	KEY 5X20	1,000
50	27797	SNAP RING 42	1,000
51	27798	OIL SEAL 20X42X8	1,000
52	27799	TRANSMISSION PULLEY	1,000
53	27800	SWING ARM	1,000
54	27801	SHIFT FORK	1,000
55	27802	STEEL BALL D.8	1,000
56	27803	SPRING 1,4	1,000
57	27804	SHIFT SPRING HOLDER	1,000
58	27805	TAB TIGHT M6X14	1,000
59	27806	OIL SEAL 12X22X7	1,000
60	27808	B AXLE	1,000
61	27809	20T SPIRAL MIT GEAR	1,000
62	27810	C AXLE	1,000
63	27813	WASHER 15X24X1	1,000
64	27814	BRAKE SHAFT 40TGEAR	1,000
65	27815	BRAKE SHAFT	1,000
66	27818	OIL SEAL UE 15X30X7	1,000
67	27819	BRAKE CAP ASSY	1,000
68	27821	D AXLE 37T GEAR	1,000
69	27822	DIF.LOCK FORK SHAFT	1,000
70	27823	SPRING PIN 5X20	1,000
71	27824	SPRING PIN 3X20	1,000
72	27829	AIR BLEEZER	1,000
73	27830	HEX.TAP TIGHT M8X25	1,000
74	27831	BLACK CAP 22	1,000
75	27845	MISSION GUARD	1,000
76	27950	AXLE CASE LEFT	1,000
77	27951	AXLE CASE RIGHT	1,000
78	27952	SUB CHANGE ARM	1,000
79	27953	SHIFT GEAR	1,000
80	27954	COLLAR	1,000
81	27956	MEC. TRANS. COMPLET	1,000
82	40465	BEARING 6202	1,000

Number	Part Number	Name	Quantity
83	71047	CIRCLIP DIN 471 15X	1,000
84	71049	SPRING WASHER,DIN 1	1,000
85	71091	NUT,NFE 27411 Hm M1	1,000

AK85

411.01

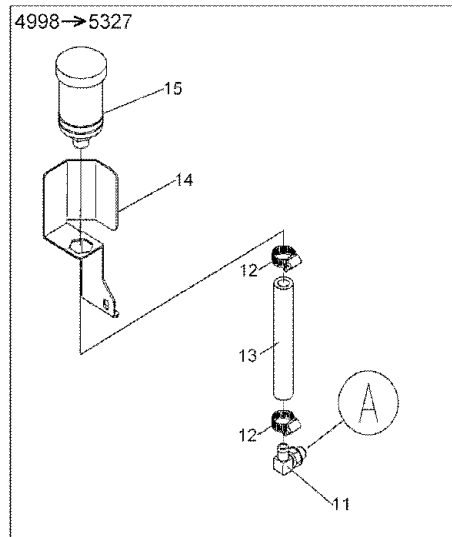
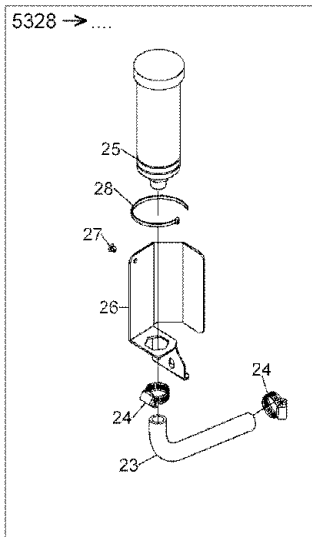
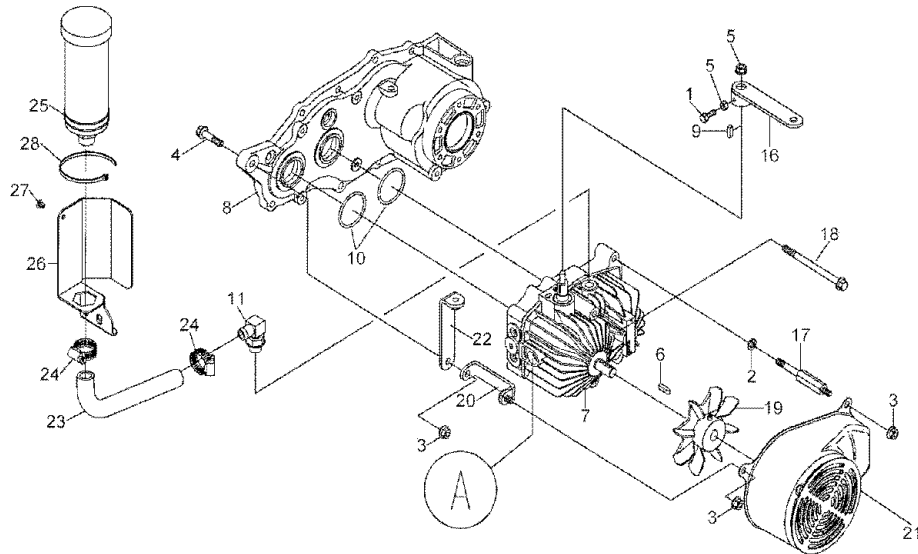


12/2007

Number	Part Number	Name	Quantity
1	37997	SCREW HM6-16 8.8	1,000
2	15848	SPRING WASHER	1,000
3	27501	NUT FLANGE M8	1,000
4	27504	BOLT+WASHER M8X35	1,000
5	27572	NUT M6	1,000
6	27690	KEY 5X20	1,000
7	27790	HST UNIT	1,000
8	27792	TRANSMIS.CASE RIGHT	1,000
9	27794	KEY 5X16	1,000
10	27838	O-RING G45	1,000
11	27832	PORT JOINT	1,000
12	27833	HOSE BAND	1,000
13	27834	-> 25685	1,000
14	27835	OIL TANK SETTING	1,000
15	27836	OIL TANK	1,000
16	27837	CONTROL ARM	1,000
17	27839	DOUBLE SPRING BOLT	1,000
18	27840	FLANGE MINI BOLT	1,000
19	27841	FAN	1,000
20	27843	FAN COVER SETTING	1,000
21	27844	FAN COVER	1,000
22	27955	TRANSM HUNGER STAY	1,000
23	27964	HOSE	1,000
24	27965	HOSE BAND 24	1,000
25	27967	OIL TANK	1,000
26	27968	OIL TANK BRACKET	1,000
27	27969	CLIP	1,000
28	27970	CLAMP	1,000

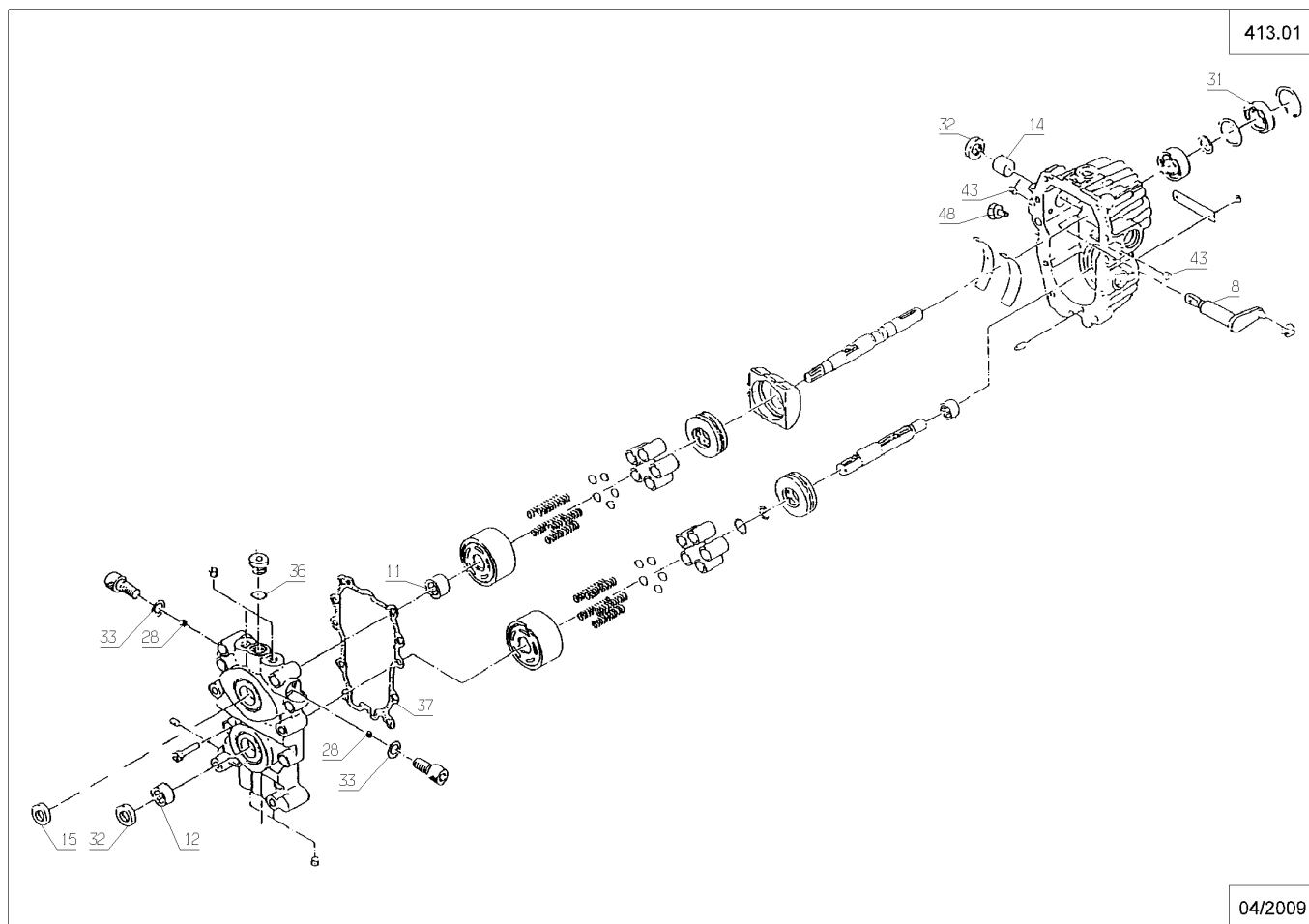
AK85

411.02



12/2007

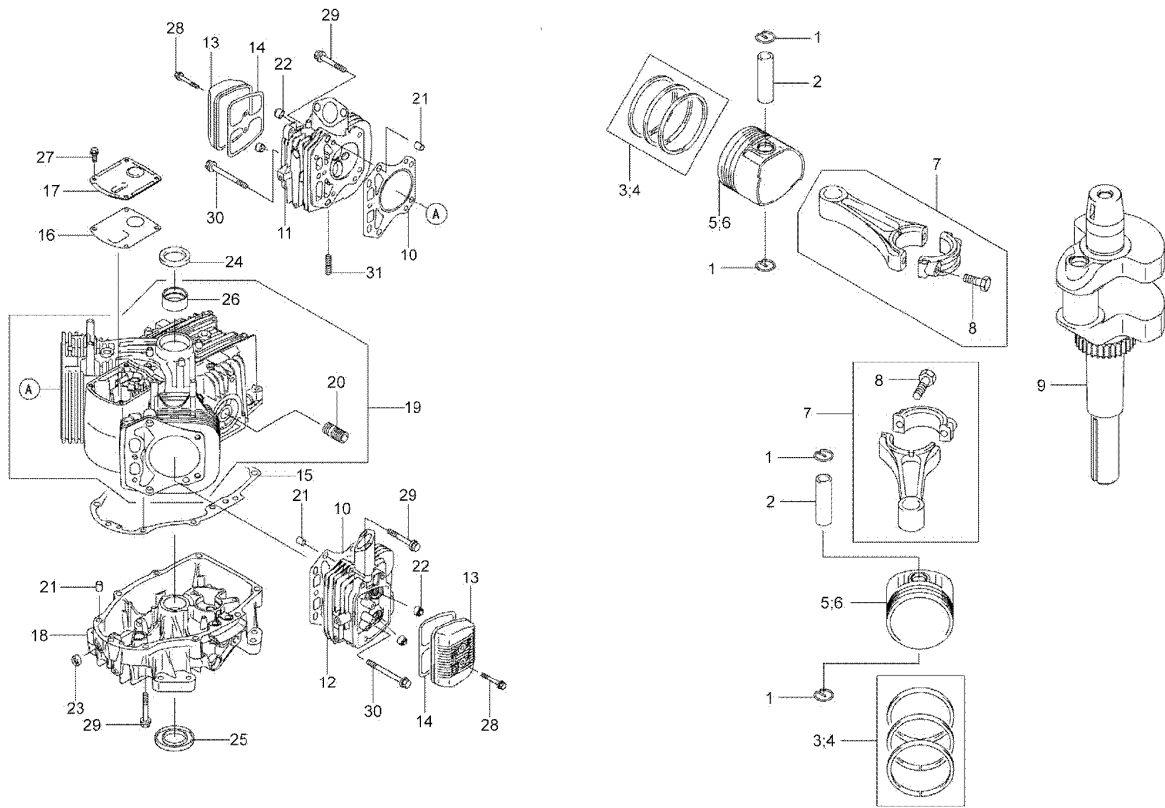
Number	Part Number	Name	Quantity
8	27983	HST LEVER	1,000
11	34546	NEEDLE BEARING	1,000
12	34545	NEEDLE BEARING	1,000
14	27982	BUSH	1,000
15	27929	OIL SEAL	1,000
28	27948	STEEL BALL	1,000
31	27957	OIL SEAL	1,000
32	27949	OIL SEAL	1,000
33	27913	BONDED SEAL	1,000
36	27904	O-RING	1,000
37	27914	GASKET	1,000
43	27915	AIR BLEEDER	1,000
48	27932	AIR BLEEDER	1,000



Number	Part Number	Name	Quantity
1	18225	RING SNAP	1,000
2	18140	PISTON PIN	1,000
3	17743	RING SET	1,000
4	18141	PISTON RINGS SET0,5	1,000
5	18139	PISTON	1,000
6	18142	PISTON 0,5	1,000
7	18156	CONNEC.ROD ASSY	1,000
8	17978	SCREW	1,000
9	18143	CRANKSHAFT	1,000
10	18117	CYL.HEAD GASKET	1,000
11	18118	CYLINDER HEAD 1	1,000
12	18119	CYLINDER HEAD 2	1,000
13	18123	CYLINDER HEAD COVER	1,000
14	18125	GASKET	1,000
15	18128	GASKET	1,000
16	18129	GASKET	1,000
17	18165	CAP	1,000
18	18198	LOWER CRANKCASE	1,000
19	18207	ENGINE CRANKCASE	1,000
20	18214	GASKET	1,000
21	18226	PIN	1,000
22	18228	OIL SEAL 6X11X10,2	1,000
23	15429	GASKET 8X14X5	1,000
24	18230	OIL SEAL 35X48X8	1,000
25	18231	OIL SEAL 35X62X8	1,000
26	18238	BUSH	1,000
27	17726	SCREW	1,000
28	18147	SCREW	1,000
29	18149	SCREW	1,000
30	18150	SCREW	1,000
31	18180	STUD	1,000

MKHE - H80

471.01



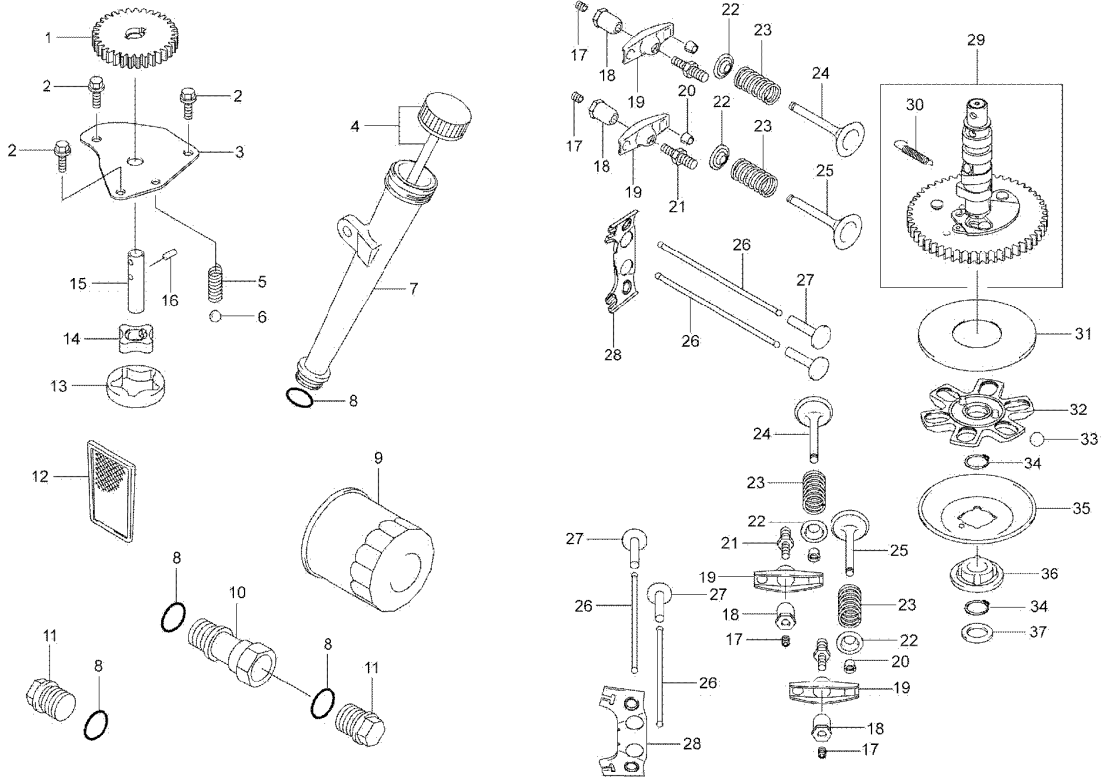
KAWASAKI
FH430V

10-2004

Number	Part Number	Name	Quantity
1	18212	GEAR	1,000
2	17726	SCREW	1,000
3	18160	PUMP COVER	1,000
4	18164	OIL GAUGE	1,000
5	18242	SPRING	1,000
6	18240	STEEL BALL	1,000
7	18217	FILLING TUBE	1,000
8	15686	O-RING	1,000
9	18088	OIL FILTER	1,000
10	18215	OIL DRAIN EXTENSION	1,000
11	18236	OIL DRAIN PLUG	1,000
12	18201	FILTER SCREEN	1,000
13	18176	PUMP BODY	1,000
14	18175	PUMP	1,000
15	18152	PUMP SHAFT	1,000
16	18227	PIN	1,000
17	17941	SCREW	1,000
18	17765	GUIDE NUT	1,000
19	18137	ROCKER ARM	1,000
20	18136	PELLET	1,000
21	18252	STUD	1,000
22	18135	WASHER	1,000
23	17762	VALVE SPRING	1,000
24	18133	INTAKE VALVE	1,000
25	18134	EXHAUST VALVE	1,000
26	18155	PUSH ROD	1,000
27	18138	LIFTER ARM	1,000
28	18144	GUIDE	1,000
29	18206	CAMSHAFT	1,000
30	18241	SPRING	1,000
31	18159	PLATE	1,000
32	18145	GUIDE	1,000
33	18239	STEEL BALL	1,000
34	18224	SNAP RING	1,000
35	18162	PLATE GOVERNOR	1,000
36	18197	SLEEVE	1,000
37	18259	WASHER	1,000

MKHE - H80

473.01



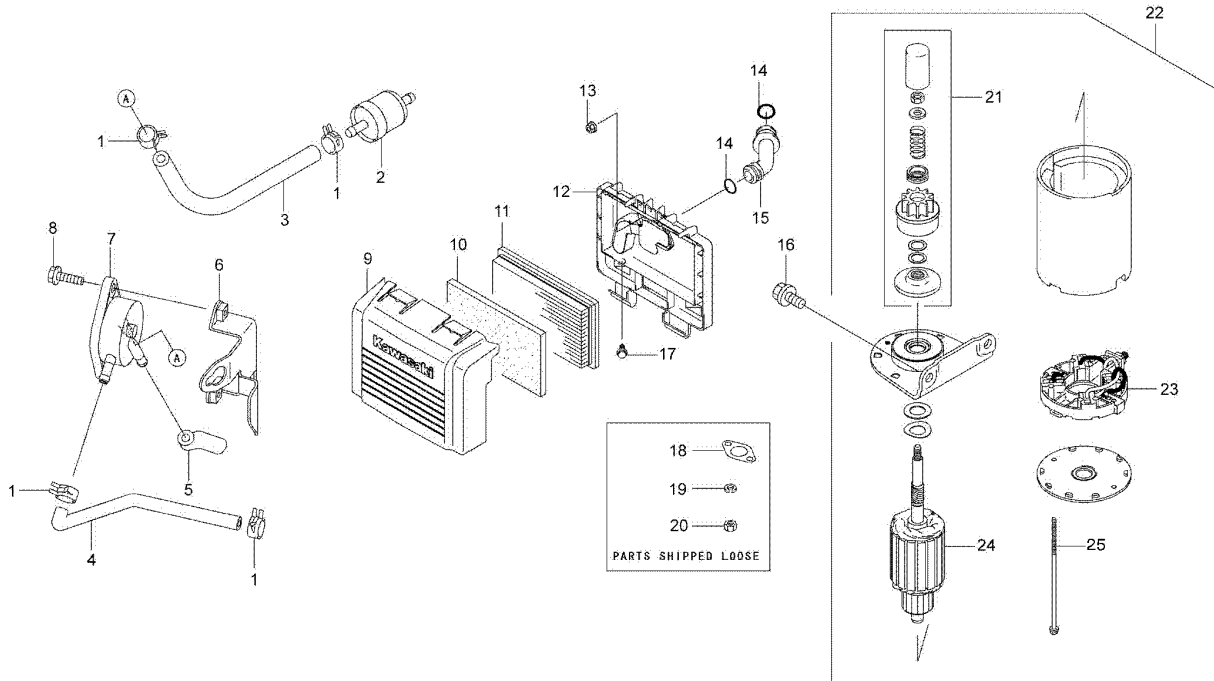
KAWASAKI
FH430V

10-2004

Number	Part Number	Name	Quantity
1	18253	CLAMP	1,000
2	18199	FILTER	1,000
3	18257	HOSE	1,000
4	18258	HOSE	1,000
5	18256	HOSE	1,000
6	18190	PUMP BARCKET	1,000
7	18200	PUMP	1,000
8	15276	SCREW 6X20	1,000
9	18120	AIR FILTER COVER	1,000
10	18121	PREFILTER	1,000
11	18122	CARTRIDGE	1,000
12	18124	FILTER BODY	1,000
13	18222	NUT	1,000
14	18218	O-RING	1,000
15	18194	PIPE BREATHER	1,000
16	18148	SCREW	1,000
17	18249	SCREW	1,000
18	18126	EXHAUST GASKET	1,000
19	15848	SPRING WASHER	1,000
20	15849	HEX NUT	1,000
21	18151	GEAR ASSY	1,000
22	18184	STARTER	1,000
23	18181	CARBON BRUSH	1,000
24	18183	ROTOR	1,000
25	18360	STARTER SCREW	1,000

KAWASAKI
FH430V

475.01



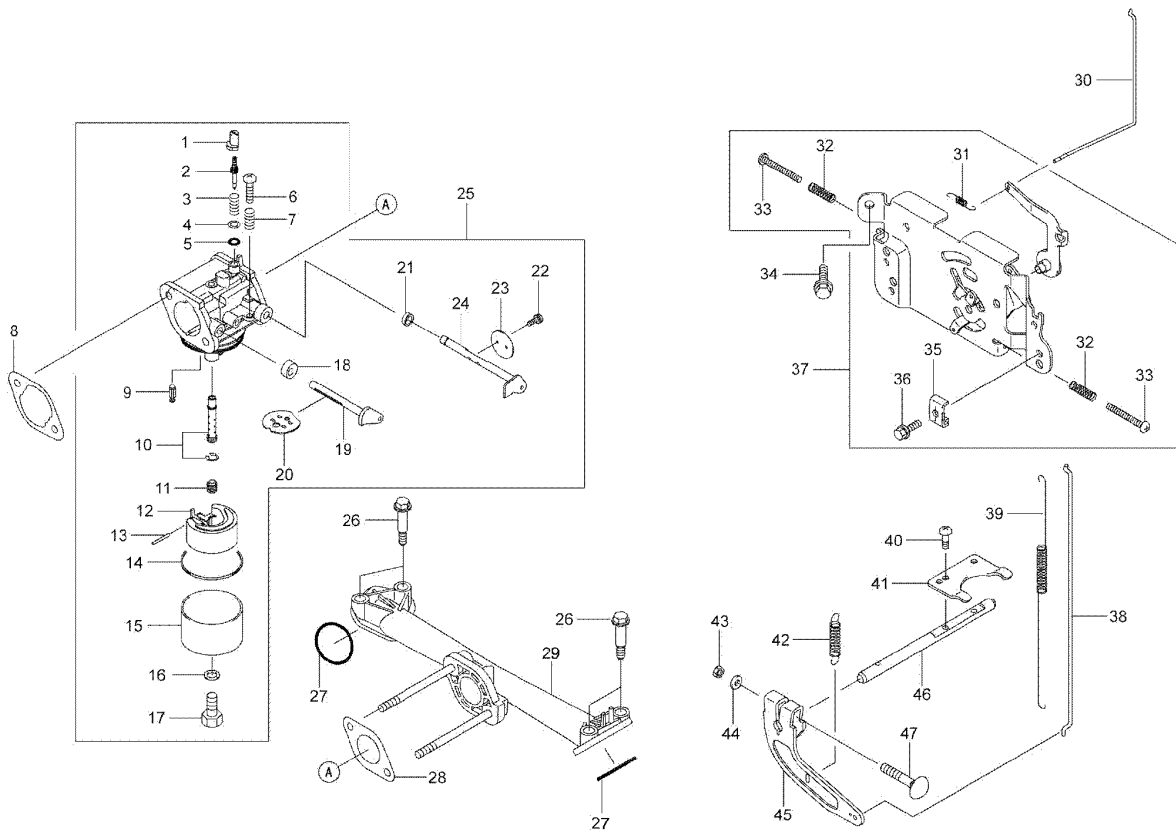
09/2008

Number	Part Number	Name	Quantity
1	18195	RING	1,000
2	18168	MIXTURE CONT.SCREW	1,000
3	18246	SPRING	1,000
4	18261	WASHER	1,000
5	18232	O-RING	1,000
6	18220	SCREW	1,000
7	18006	SPRING	1,000
8	18132	GASKET	1,000
9	18171	VALVE FLOAT	1,000
10	18208	CHOKE TUBE	1,000
11	18234	MAIN JET	1,000
12	18172	FLOAT	1,000
13	18154	FLOAT AXLE	1,000
14	18130	GASKET	1,000
15	18169	FLOAT CHAMBER	1,000
16	18131	GASKET	1,000
17	18255	SCREW	1,000
18	18237	GASKET	1,000
19	18173	CHOKE THROTTLE SHAF	1,000
20	18179	THROTTLE	1,000
21	18001	DICHTUNG	1,000
22	18219	SCREW	1,000
23	18170	GASKLAPPE	1,000
24	18174	ACC.THROTTLE SHAFT	1,000
25	18167	CARBURATOR CPLT	1,000
26	18251	SCREW	1,000
27	18233	O-RING	1,000
28	18127	GASKET	1,000
29	18216	MANIFOLD INTAKE	1,000
30	18177	CHOKE ROD	1,000
31	18244	SPRING	1,000
32	18245	SPRING	1,000
33	18221	SCREW	1,000
34	17726	SCREW	1,000
35	18254	GUARD	1,000
36	15753	SCREW	1,000
37	18205	CONTROL PLATE ASSY	1,000
38	18178	REGULATOR ROD	1,000
39	18243	SPRING	1,000
40	18188	SCREW	1,000
41	18285	PLAQUE	1,000

Number	Part Number	Name	Quantity
42	18196	SPRING	1,000
43	18193	NUT	1,000
44	15340	FLAT WASHER	1,000
45	18204	REGULATOR LEVER	1,000
46	18153	SHAFT	1,000
47	18248	SCREW	1,000

MKHE - H80

477.01



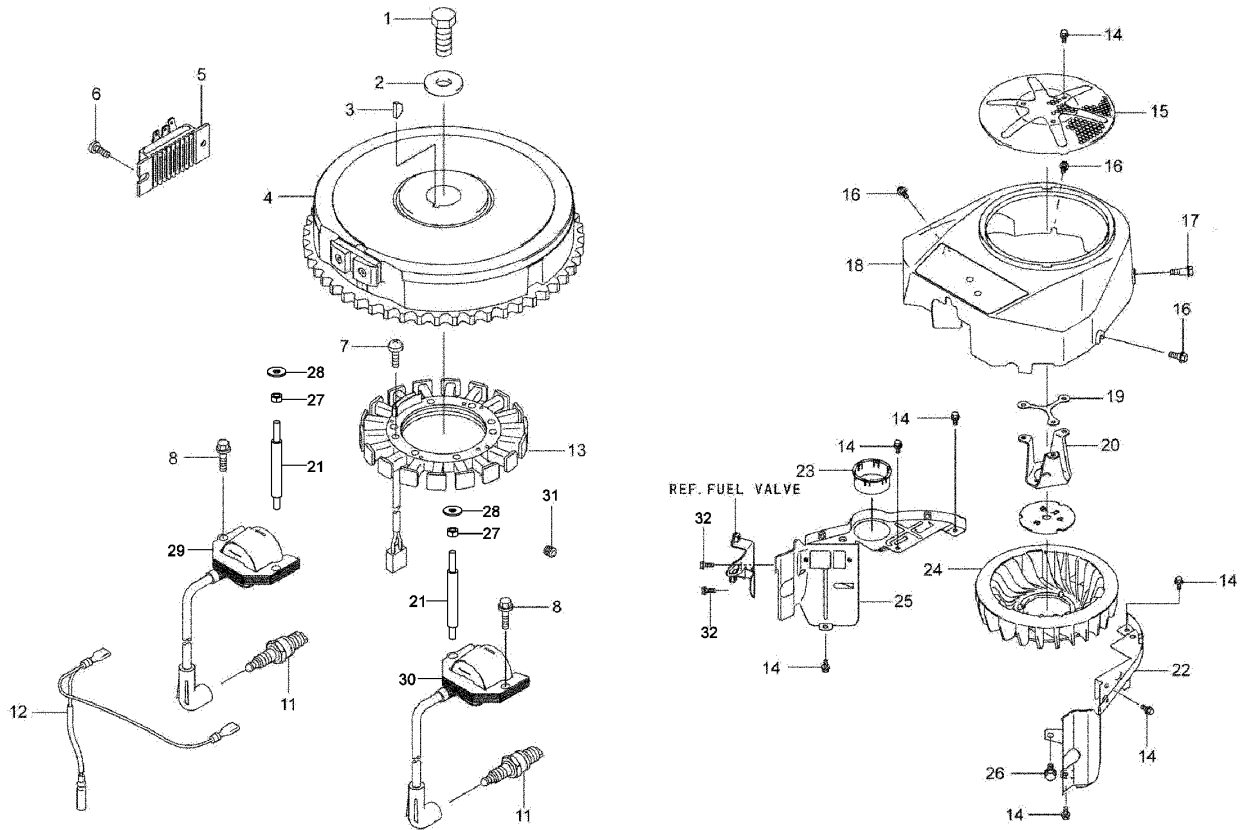
KAWASAKI
FH430V

10-2004

Number	Part Number	Name	Quantity
1	18247	SCREW	1,000
2	18260	WASHER	1,000
3	18209	KEY	1,000
4	18187	IGNITION WHEEL	1,000
5	18182	VOLTAGE REGULATOR	1,000
6	15604	SCREW	1,000
7	18189	SCREW	1,000
8	15276	SCREW 6X20	1,000
9	18264	COIL	1,000
10	18265	COIL	1,000
11	18116	SPARK PLUG	1,000
12	18192	WIRE HARNESS	1,000
13	18210	GENERATOR	1,000
14	17726	SCREW	1,000
15	18163	SCREEN	1,000
16	18249	SCREW	1,000
17	18250	SCREW	1,000
18	18213	ENGINE COVER	1,000
19	18223	SPACER	1,000
20	18191	BRACKET	1,000
21	18263	STUD	1,000
22	18202	SIDE COVER 2	1,000
23	18166	COVER	1,000
24	18211	COOLING FAN	1,000
25	18203	SIDE COVER 1	1,000
26	18148	SCREW	1,000
27	1557	NUT HM6	1,000
28	21270	WASHER 6,4	1,000
31	15471	PLUG	1,000
32	15840	SCREW	1,000

KAWASAKI
FH430V

479.01



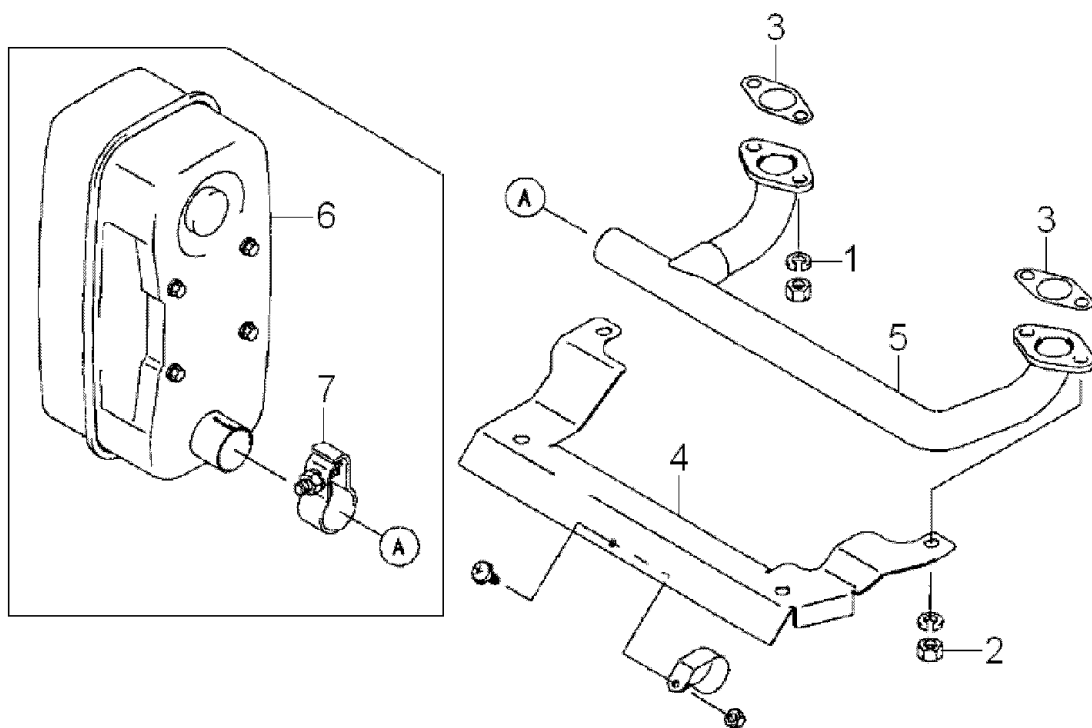
11/2011

Number	Part Number	Name	Quantity
1	15848	SPRING WASHER	1,000
2	15849	HEX NUT	1,000
3	18126	EXHAUST GASKET	1,000
4	34090	HOT PROT.AK85 FH430	1,000
5	34091	COLLECT. AK85 FH430	1,000
6	34092	MUFFLER AK85 FH430	1,000
7	34093	CLAMP AK85 FH430	1,000

AK85

FH430V

PL01319

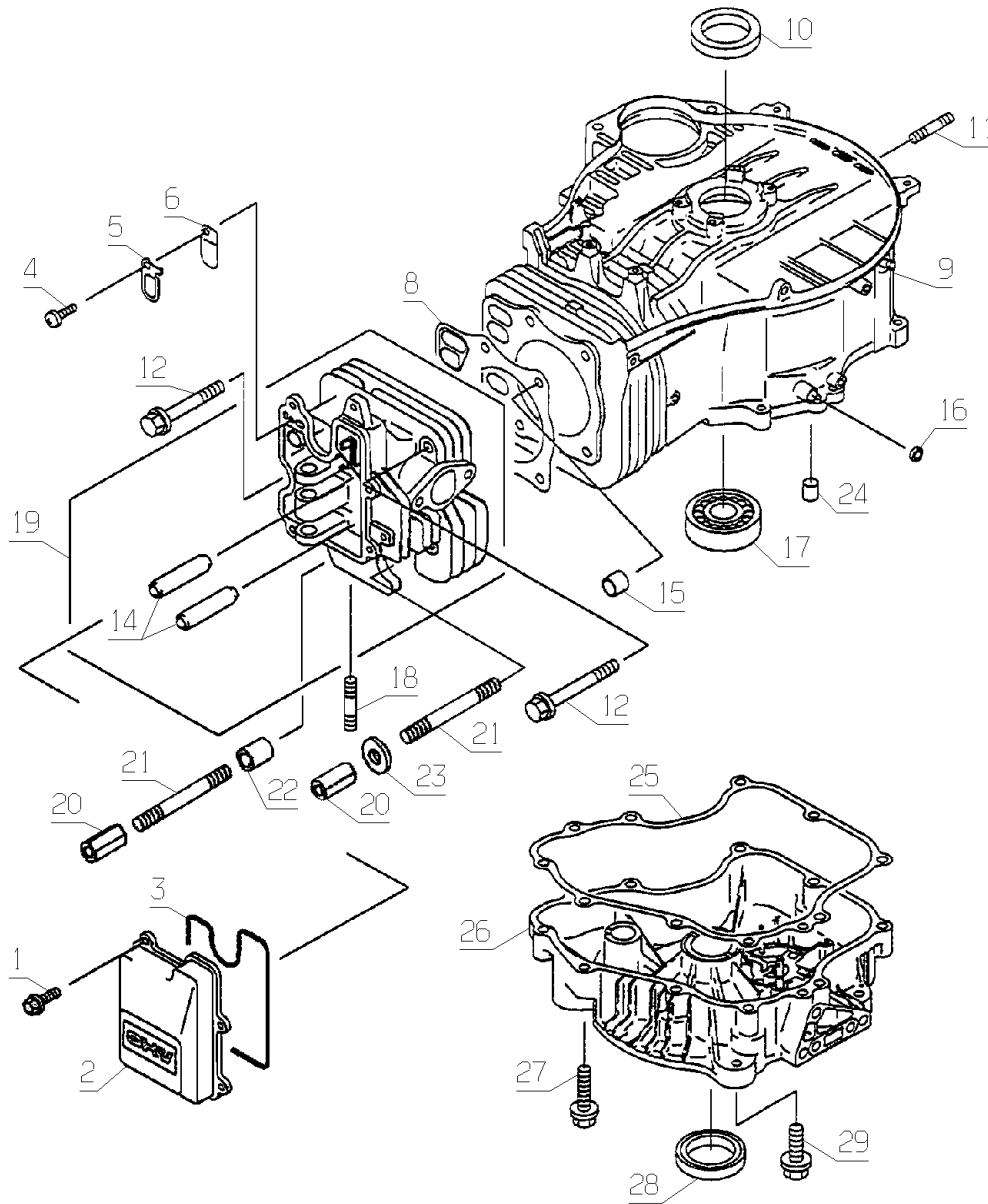


01/2008

Number	Part Number	Name	Quantity
1	15601	SCREW	1,000
2	15602	CYLINDER HEAD COVER	1,000
3	15603	GASKET	1,000
4	15604	SCREW	1,000
5	15605	PLATE	1,000
6	15606	VALVE SPRING	1,000
8	15608	CYLINDER HEAD GASKE	1,000
9	15609	ENGINE CRANKCASE	1,000
10	15610	GASKET	1,000
11	15611	PIN	1,000
12	15612	SCREW	1,000
14	15950	VALVE GUIDE	1,000
15	15615	CENTRING STUD	1,000
16	15616	GASKET	1,000
17	15617	BALL BEARING	1,000
18	15888	PIN	1,000
19	15951	CYLINDER HEAD CPLTE	1,000
20	15620	NUT	1,000
21	15618	PIN	1,000
22	15621	PIN	1,000
23	15622	WASHER	1,000
24	15623	CENTRING STUD	1,000
25	15624	CRANKCASE GASKET	1,000
26	15625	LOWER CRANKCASE HAL	1,000
27	15626	SCREW	1,000
28	15889	SEAL OIL	1,000
29	15628	SCREW	1,000

KAWASAKI
FC420V

470.01



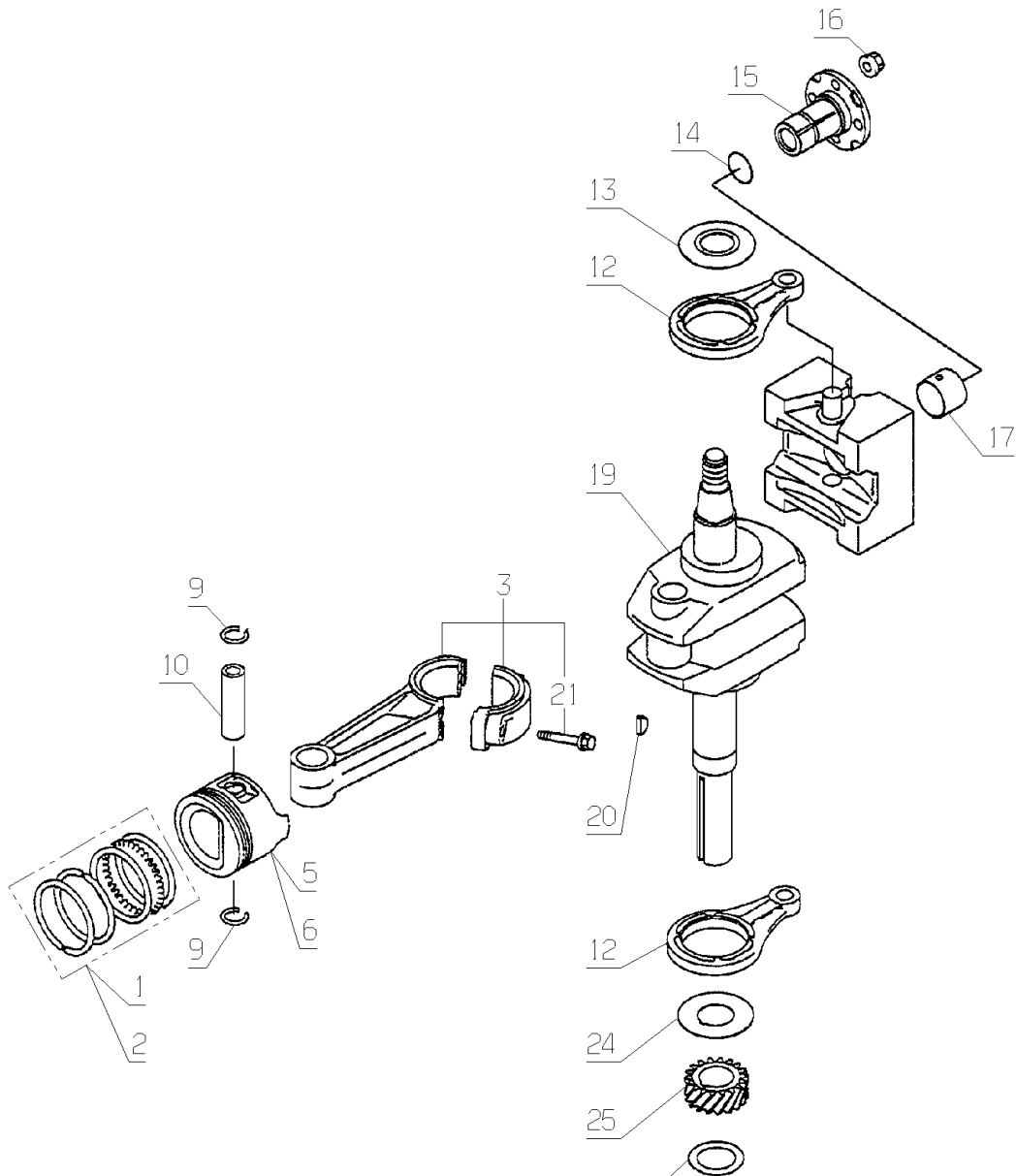
MKHE - AK85

02-2005

Number	Part Number	Name	Quantity
1	15890	PISTON RINGS SET	1,000
2	15891	PISTON RINGS 0,5	1,000
3	15892	CONNECTING ROD ASSY	1,000
5	15894	PISTON	1,000
6	15895	PISTON 0,5	1,000
9	17545	RING SNAPP	1,000
10	15898	PISTON PIN	1,000
12	15886	ROD	1,000
13	15643	SPACER	1,000
14	15687	SEAL	1,000
15	17536	CONTRA WEIGHTS GUID	1,000
16	15646	NUT	1,000
17	15896	BEARING	1,000
19	15899	CRANKSHAFT	1,000
20	15650	KEY	1,000
21	15651	SCREW	1,000
24	15654	SEPARATING WASHER	1,000
25	15655	HELICAL PINION	1,000
28	15656	1,18 SHIM	1,000
29	15866	1,215 SHIM	1,000
30	15867	1,25 SHIM	1,000
31	15868	1,285 SHIM	1,000
32	15869	1,32 SHIM	1,000
33	15870	1,355 SHIM	1,000
34	15871	1,39 SHIM	1,000
35	15872	1,425 SHIM	1,000
36	15873	1,46 SHIM	1,000
37	15874	1,495 SHIM	1,000
38	15875	1,53 SHIM	1,000
39	15876	1,565 SHIM	1,000
40	15877	1,6 SHIM	1,000
41	15878	1,635 SHIM	1,000
42	15879	1,67 SHIM	1,000
43	15880	1,705 SHIM	1,000
44	15881	1,74 SHIM	1,000
45	15882	1,775 SHIM	1,000
46	15657	1,18 SHIM	1,000

KAWASAKI
FC420V

472.01



28, 29, 30, 31, 32, 33, 34, 35, 36,
37, 38, 39, 40, 41, 42, 43, 44, 45, 46

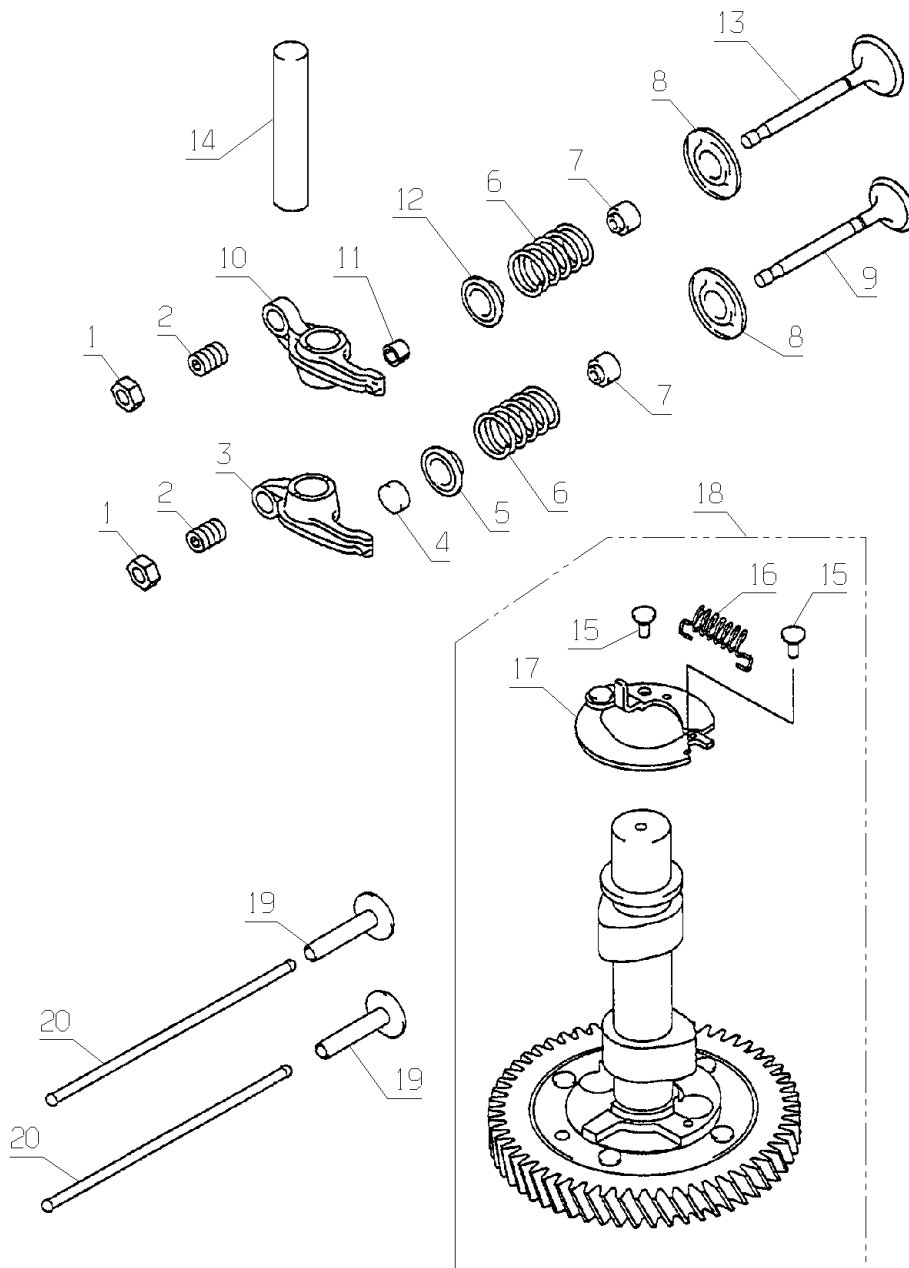
MKHE - AK85

02-2005

Number	Part Number	Name	Quantity
1	15661	NUT	1,000
2	15662	SCREW	1,000
3	15663	ROCKER ARM	1,000
4	15664	PELLET	1,000
5	15665	STOP CUP	1,000
6	15901	VALVE SPRING	1,000
7	15904	GASKET	1,000
8	15668	THRUST WASHER	1,000
9	15906	EXHAUST VALVE	1,000
10	15670	ROCKER ARM	1,000
11	15671	COLLAR	1,000
12	15672	STOP CUP	1,000
13	15673	INLET VALVE	1,000
14	15674	ROCKER ARM SHAFT	1,000
15	15675	SHAFT	1,000
16	15676	SPRING	1,000
17	15903	DECOMPRESSOR	1,000
18	15949	CAMSHAFT COMPLETE	1,000
19	15679	VALVE LIFTER	1,000
20	15680	PUSH ROD	1,000

KAWASAKI
FC420V

474.01



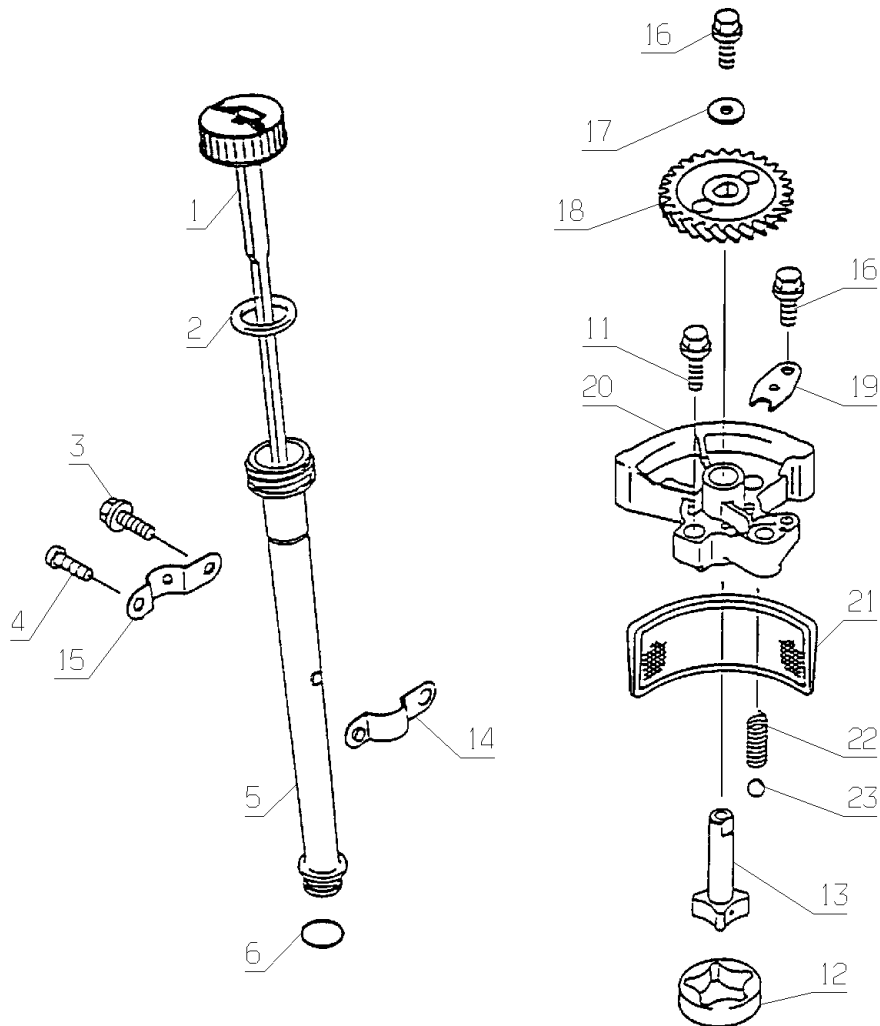
MKHE - AK85

02-2005

Number	Part Number	Name	Quantity
1	15908	OIL GAUGE	1,000
2	15682	GASKET	1,000
3	15601	SCREW	1,000
4	15684	SCREW	1,000
5	15685	FILLING TUBE	1,000
6	15686	O-RING	1,000
7	17562	PLUG	1,000
8	15688	O-RING	1,000
9	15909	PLUG SCREW	1,000
10	15690	SUPPORT	1,000
11	15691	SCREW	1,000
12	15692	PUMP BODY	1,000
13	15693	PUMP SHAFT	1,000
14	15694	CUP	1,000
15	15695	CUP	1,000
16	15696	SCREW	1,000
17	15437	WASHER	1,000
18	15698	HELIX PINION	1,000
19	15699	THRUST PLATE	1,000
20	15700	PUMP COVER	1,000
21	15910	FILTER SCREEN	1,000
22	15702	SPRING	1,000
23	15703	STEEL BALL	1,000
24	18082	PLUG	1,000
25	18083	GASKET	1,000
26	18084	TUBE	1,000
27	18085	GASKET	1,000
29	18086	SUPPORT	1,000
30	18087	SCREW	1,000
31	18088	OIL FILTER	1,000

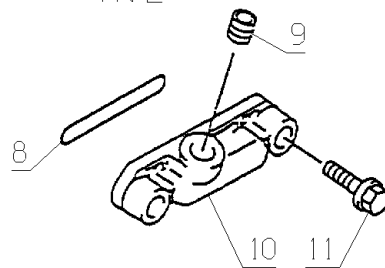
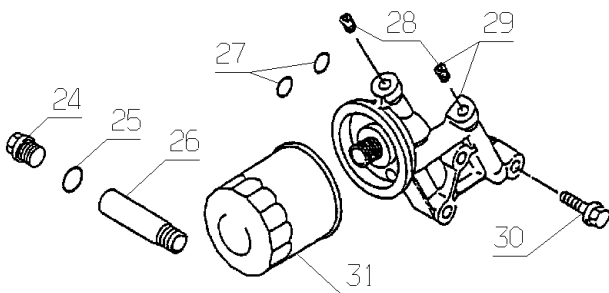
KAWASAKI
FC420V

476.01



AK85

MK-E



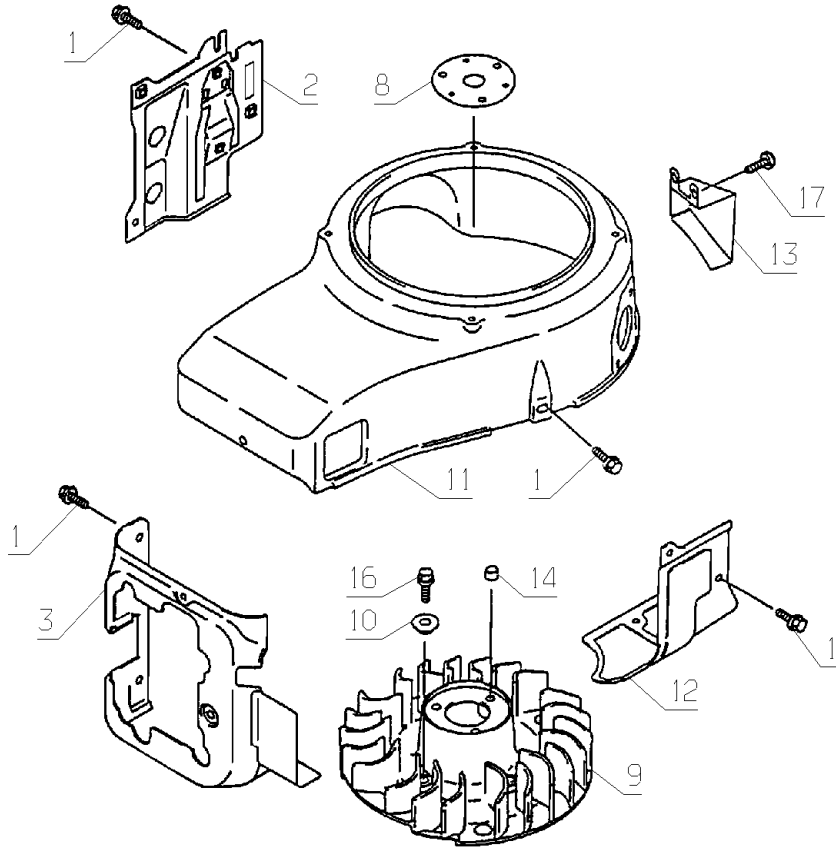
MKHE - AK85

02-2005

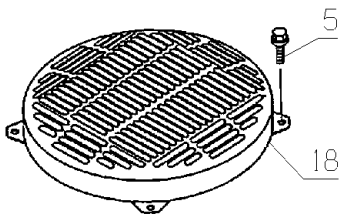
Number	Part Number	Name	Quantity
1	17726	SCREW	1,000
2	15707	SIDE COVER	1,000
3	15708	FRONT COVER	1,000
4	15709	SCREW	1,000
5	15696	SCREW	1,000
6	15711	CASE	1,000
7	15712	SCREEN	1,000
8	15713	DISK	1,000
9	15914	FAN	1,000
10	15917	COLLAR	1,000
11	15912	COOLING CASING	1,000
12	15717	LH SIDE COVER	1,000
13	15913	COVER	1,000
14	15915	COLLAR 6,2X7,8X5	1,000
16	15601	SCREW	1,000
17	15725	SCREW	1,000
18	18089	SCREEN	1,000

KAWASAKI
FC420V

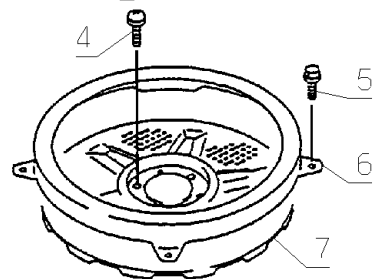
478.01



AK85



MKHE



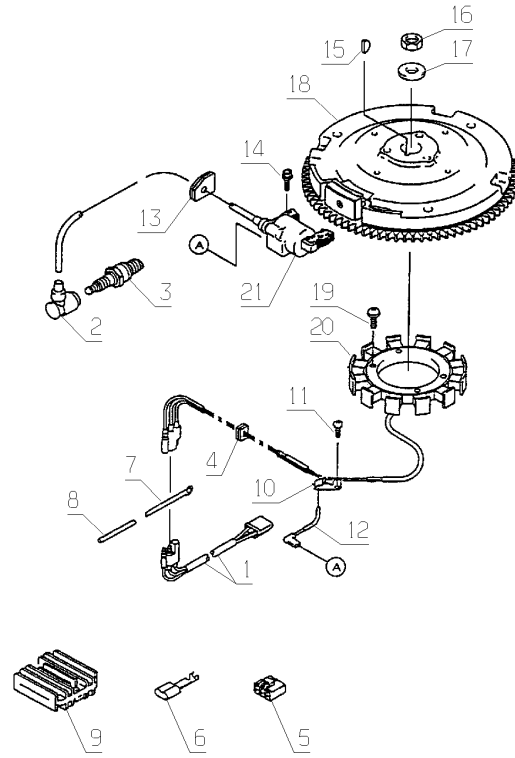
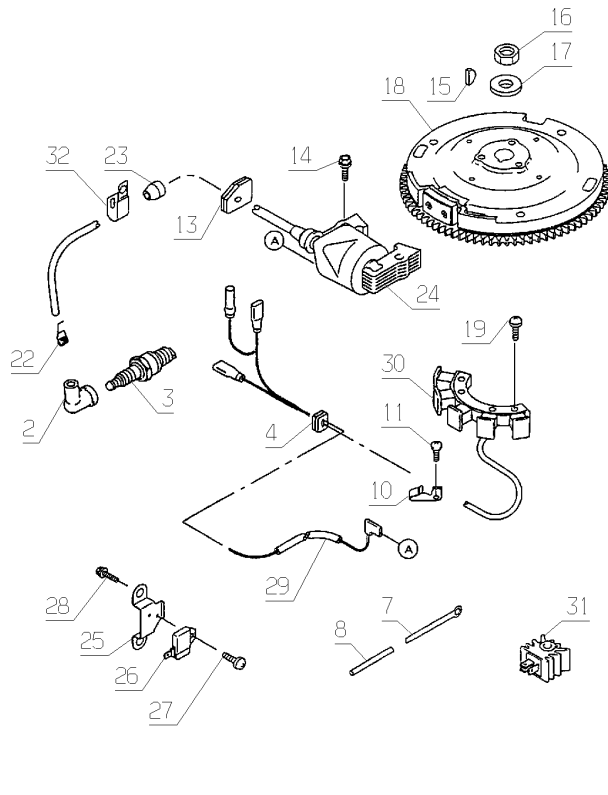
MKHE - AK85

02-2005

Number	Part Number	Name	Quantity
1	15721	WIRE HARNESS	1,000
2	15722	SPARK PLUG CAP	1,000
3	3861	SPARK PLUG D.14X19R	1,000
4	15724	GROMMET	1,000
5	15924	CONNECTOR CORD	1,000
6	15923	TERMINAL	1,000
7	15727	STRIP	1,000
8	15728	TUBE	1,000
9	15729	VOLTAGE REGULATOR	1,000
10	15730	CUP	1,000
11	15604	SCREW	1,000
12	18042	CABLE	1,000
13	15733	GROMMET	1,000
14	15919	BOLT FLANGED	1,000
15	15650	KEY	1,000
16	15736	NUT	1,000
17	15737	WASHER	1,000
18	15918	IGNITION FLYWHEEL	1,000
19	15739	SCREW	1,000
20	15740	GENERATOR,ALTERNATI	1,000
21	15920	IGNITION COIL	1,000
22	18090	KLAMP	1,000
23	18091	GROMMET	1,000
24	18092	IGNINTION COIL	1,000
25	18093	BRACKET	1,000
26	17573	IGNITER	1,000
27	15725	SCREW	1,000
28	18094	SCREW	1,000
29	15732	LOAD WIRE	1,000
30	18095	GENERATOR	1,000
31	18096	TENSION REGULATOR	1,000
32	18046	CABLE CLIP	1,000

KAWASAKI
FC420V

480.01



AK85 - MKHE

AK85

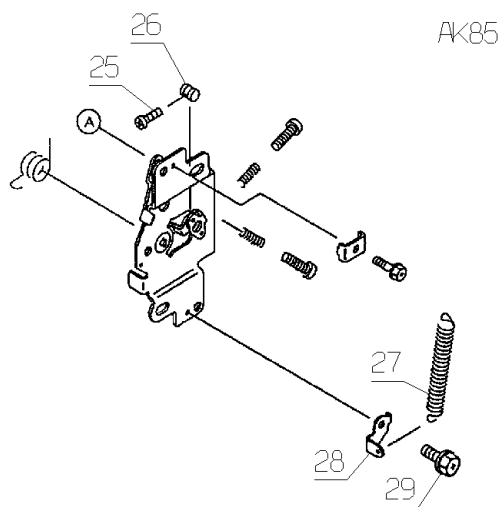
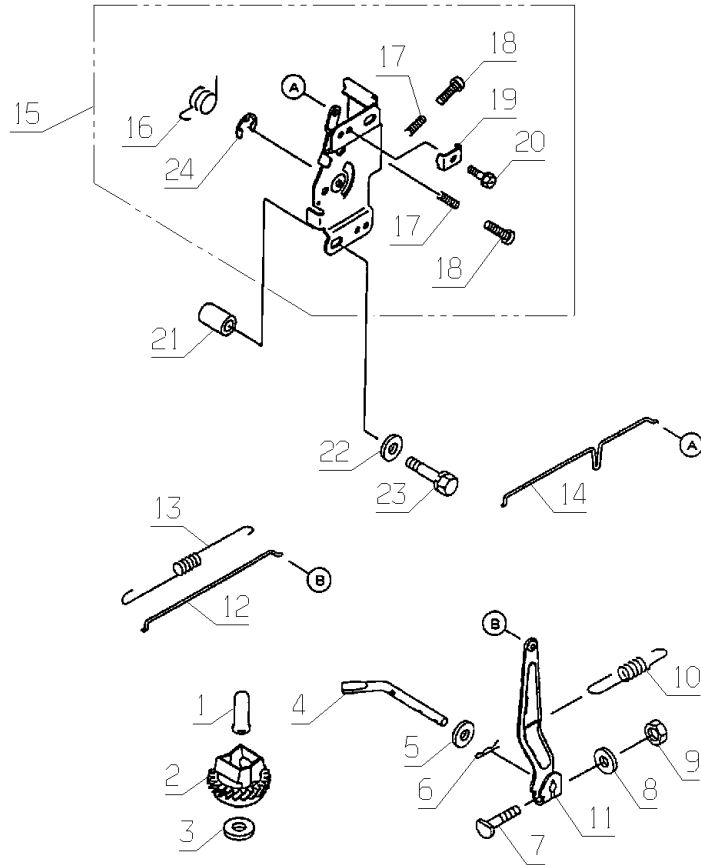
MK-E

02-2005

Number	Part Number	Name	Quantity
1	15741	TEAT-SCREW	1,000
2	15742	REGULATOR ASSY	1,000
3	15360	FLAT WASHER	1,000
4	15743	ANGLE TUBE	1,000
5	15359	WASHER	1,000
6	15358	COTTER PIN	1,000
7	15744	BOLT	1,000
8	15340	FLAT WASHER	1,000
9	15339	NUT	1,000
10	15745	REGULATOR SPRING	1,000
11	15746	REGULATOR LEVER	1,000
12	15747	REGULATOR ROD	1,000
13	15748	SPRING	1,000
14	15749	CHOKE ROD	1,000
15	15927	CONTROL PLATE ASSY	1,000
16	15751	SPRING	1,000
17	15928	SPRING	1,000
18	15347	SCREW	1,000
19	15752	GUARD	1,000
20	15753	SCREW	1,000
21	15754	SEPARATING PIECE	1,000
22	15755	WASHER	1,000
23	15756	SCREW	1,000
24	15930	CIRCLIP E TYPE	1,000
25	17619	SCREW	1,000
26	18097	CABLE STOP	1,000
27	18098	SPRING	1,000
28	18099	BRACKET	1,000
29	18100	SCREW	1,000

KAWASAKI
FC420V

482.01



MKHE - AK85

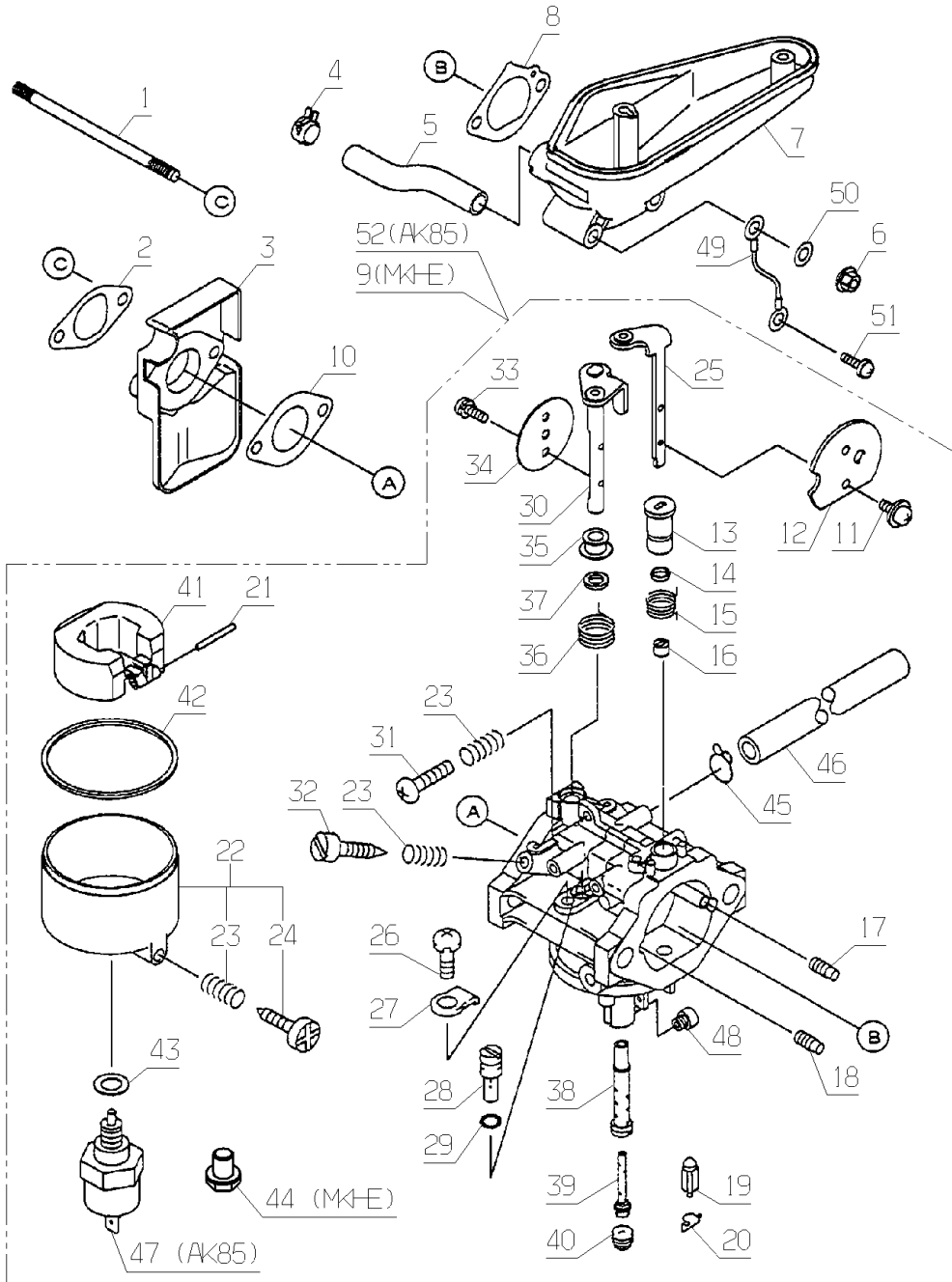
02-2005

Number	Part Number	Name	Quantity
1	15761	STUD	1,000
2	15762	GASKET	1,000
3	15763	763 INSULATOR	1,000
4	15764	CLAMP	1,000
5	15765	HOSE	1,000
6	15646	NUT	1,000
7	15767	FILTER HOUSING	1,000
8	15768	GASKET	1,000
9	15931	CARBURETOR	1,000
10	15770	GASKET	1,000
11	15771	SCREW	1,000
12	15772	THROTTLE	1,000
13	15773	RING	1,000
14	15775	SEALING WASHER	1,000
15	15774	SPRING	1,000
16	15776	RING	1,000
17	15777	1,0 JET	1,000
18	15932	JET AIR 1,8	1,000
19	15933	FLOAT SPINDLE	1,000
20	15780	CLIP	1,000
21	15781	FLOAT SHAFT	1,000
22	15782	FLOAT CHAMBER	1,000
23	15783	SPRING	1,000
24	15784	BLEED SCREW	1,000
25	15785	CHOKE THROTTLE SHAF	1,000
26	15786	SCREW	1,000
27	15787	STOP PLATE	1,000
28	15938	IDLING JET	1,000
29	15789	GASKET	1,000
30	15790	ACCELERATOR THROTTL	1,000
31	15791	SCREW	1,000
32	15792	MIXTURE CONTROL SCR	1,000
33	15793	SCREW	1,000
34	15794	ACCELERATOR THROTTL	1,000
35	15795	RING	1,000
36	15796	SPRING	1,000
37	15797	SEALING WASHER	1,000
38	15935	CHOKE TUBE	1,000
39	15936	JET SUPPORT	1,000
40	15937	MAIN JET	1,000
41	18262	CARBURET.AK85 FC420	1,000

Number	Part Number	Name	Quantity
42	15802	GASKET	1,000
43	15803	WASHER	1,000
44	15939	EMPTYING SCREW	1,000
45	15940	CLAMP	1,000
46	15941	TUBE 4,5X6,5X100	1,000
47	18101	ELECTROMAGN.VALVE	1,000
48	18102	SCREW	1,000
49	18103	NEGATIVE CABLE	1,000
50	15359	WASHER	1,000
51	18105	SCREW	1,000

KAWASAKI
FC420V

484.01



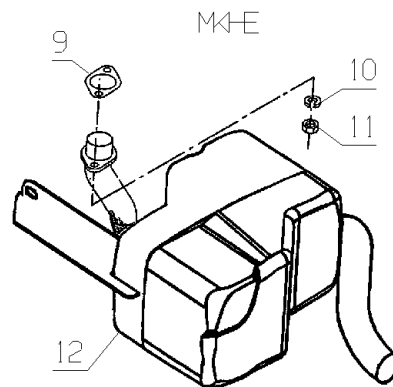
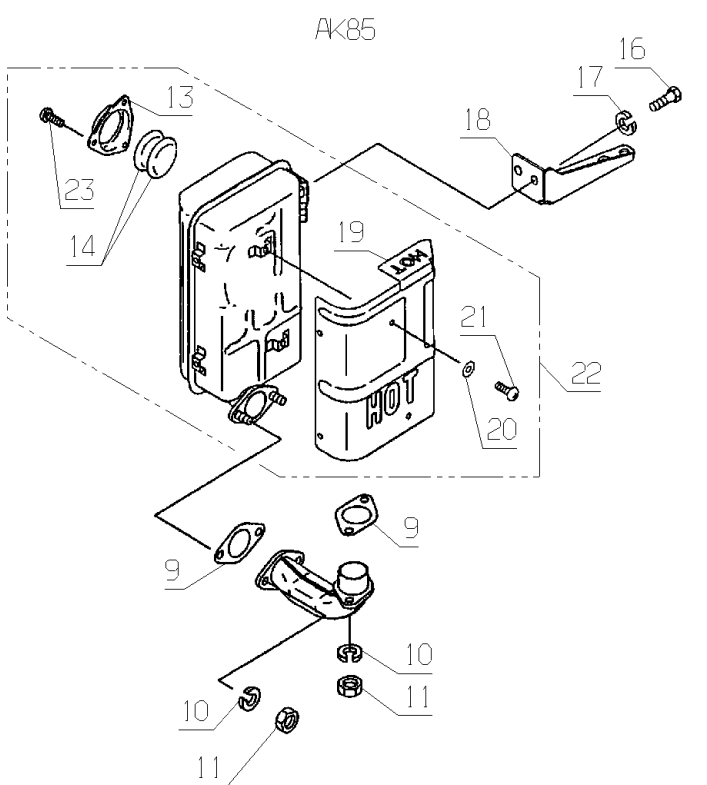
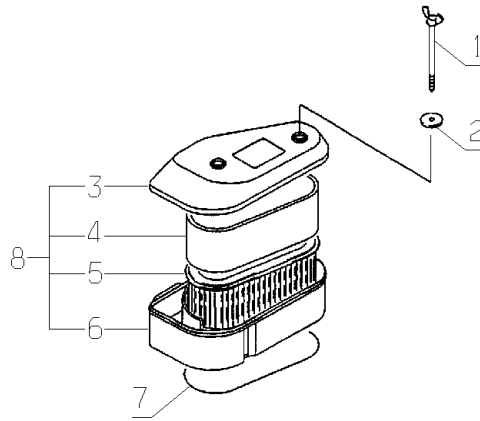
MKHE - AK85

02-2005

Number	Part Number	Name	Quantity
1	15811	SCREW	1,000
2	15812	BRIGGS PARKING SIGN	1,000
3	15813	AIR FILTER COVER	1,000
4	15814	PREFILTER	1,000
5	15815	CARTRIDGE	1,000
6	15816	FILTER BODY	1,000
7	15817	GASKET	1,000
8	15818	FILTER, COMPLETE	1,000
9	15823	GASKET	1,000
10	15848	SPRING WASHER	1,000
11	15849	HEX NUT	1,000
12	28347	KAWASAKI MUFFLER	1,000
13	18104	SPARK ARRESTER	1,000
14	15821	SPARK SHIELD	1,000
16	18105	SCREW	1,000
18	18106	BRACKET	1,000
19	18107	COVER	1,000
20	17637	WASHER PLAIN	1,000
21	15819	SCREW	1,000
22	18109	MUFFLER	1,000

KAWASAKI
FC420V

486.01



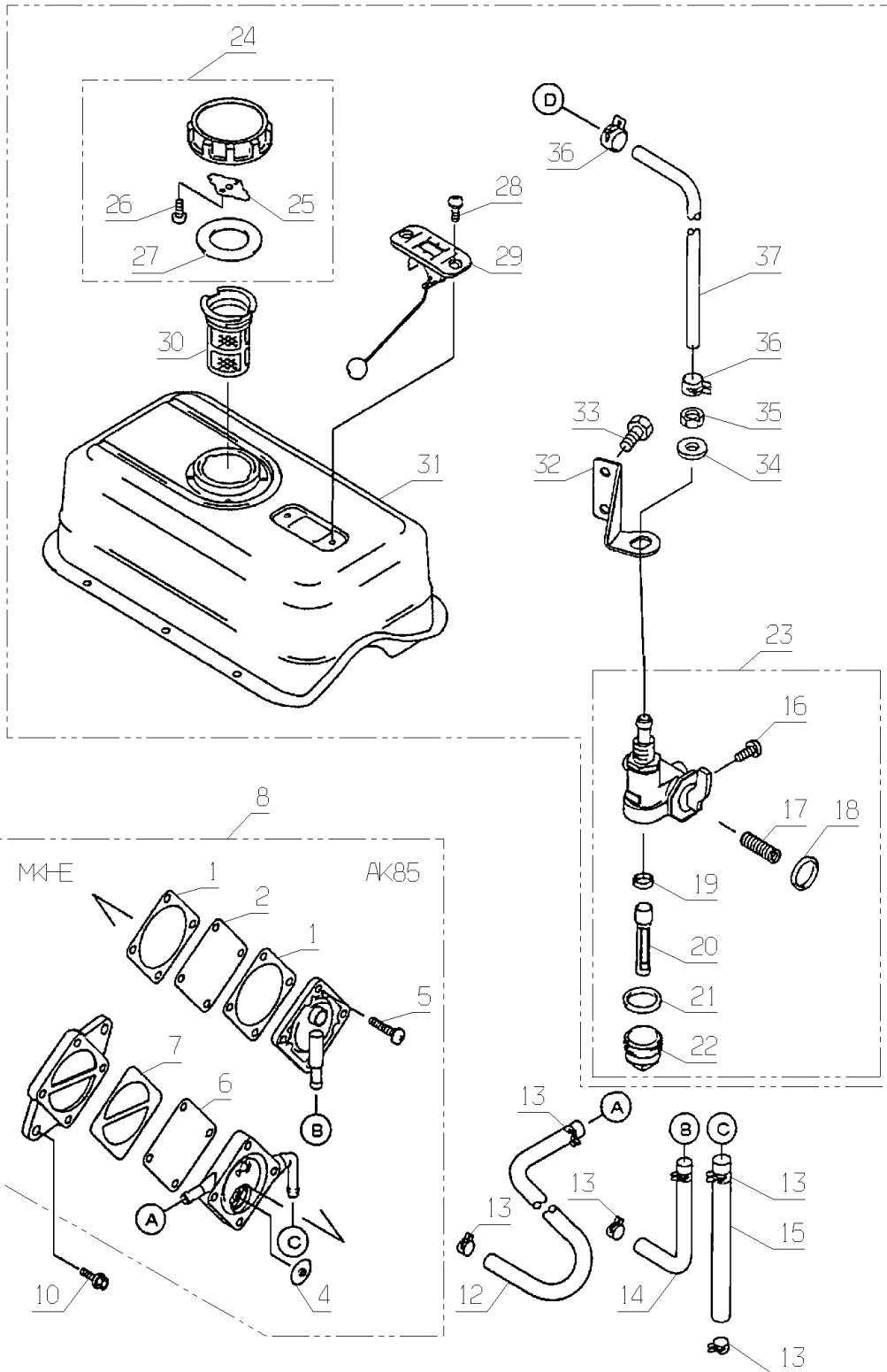
MKHE - AK85

02-2005

Number	Part Number	Name	Quantity
1	15833	GASKET	1,000
2	15832	DIAPHRAGM	1,000
4	15834	VALVE	1,000
5	15835	SCREW	1,000
6	15836	DIAPHRAGM	1,000
7	15837	GASKET	1,000
8	15838	PETROL PUMP	1,000
10	15601	SCREW	1,000
12	15842	HOSE	1,000
13	15843	CLAMP	1,000
14	15844	HOSE	1,000
16	17654	SCREW	1,000
17	17664	SPRING	1,000
18	17656	RING O	1,000
19	17657	RING O	1,000
20	17642	FILTER	1,000
21	17639	GASKET	1,000
22	17651	CUP FUEL TAP	1,000
23	17650	TAP ASSY	1,000
24	15948	TANKCAP COMPLETE	1,000
25	15946	SPRING	1,000
26	15427	SCREW	1,000
27	15947	GASKET	1,000
28	15945	SCREW	1,000
29	15944	FUEL GAUGE	1,000
30	15943	STRAINER	1,000
31	15942	FUEL TANK	1,000
32	18110	BRACKET	1,000
33	18100	SCREW	1,000
34	17667	WASHER PLAIN	1,000
35	18111	NUT	1,000
36	18112	CLAMP	1,000
37	18113	FUEL HOSE	1,000

KAWASAKI
FC420V

488.01



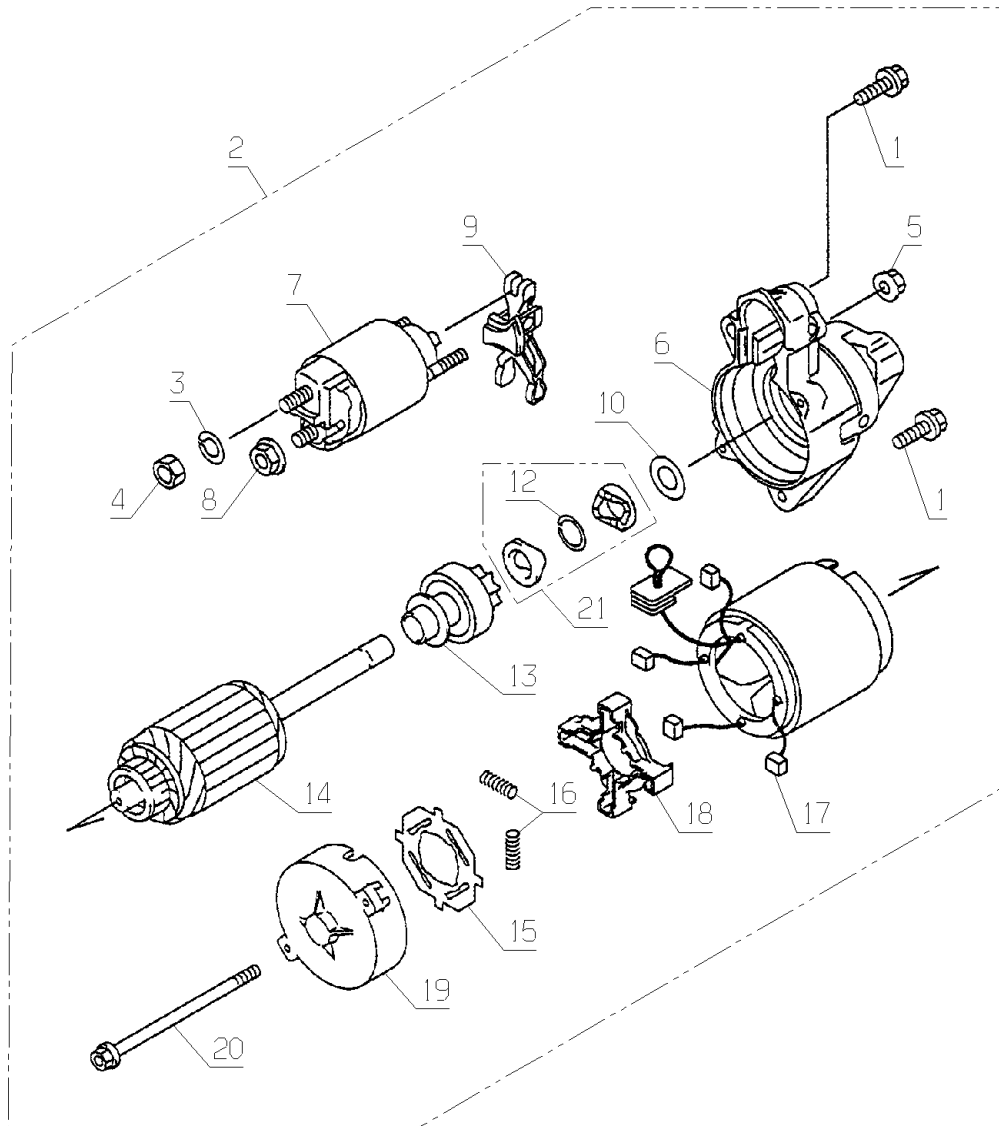
MKHE - AK85

02-2005

Number	Part Number	Name	Quantity
1	15846	BOLT	1,000
2	15847	EL. STARTER	1,000
3	15848	SPRING WASHER	1,000
4	2020	NUT HM8	1,000
5	15850	NUT	1,000
6	15851	HOUSING COVER	1,000
7	15852	SOLENOID	1,000
8	15853	NUT	1,000
9	15854	CONTROL YOKE	1,000
10	15855	WASHER	1,000
12	15857	CIRCLIP	1,000
13	15858	INPUT PINION	1,000
14	15859	ROTOR	1,000
15	15860	INSULATOR	1,000
16	15861	SPRING	1,000
17	15862	CARBON BRUSH	1,000
18	15863	BRUSH HOLDER	1,000
19	15864	HOUSING BOTTOM	1,000
20	15865	BOLT	1,000
21	15856	RING	1,000

KAWASAKI
FC420V

490.01



MKHE - AK85

02-2005