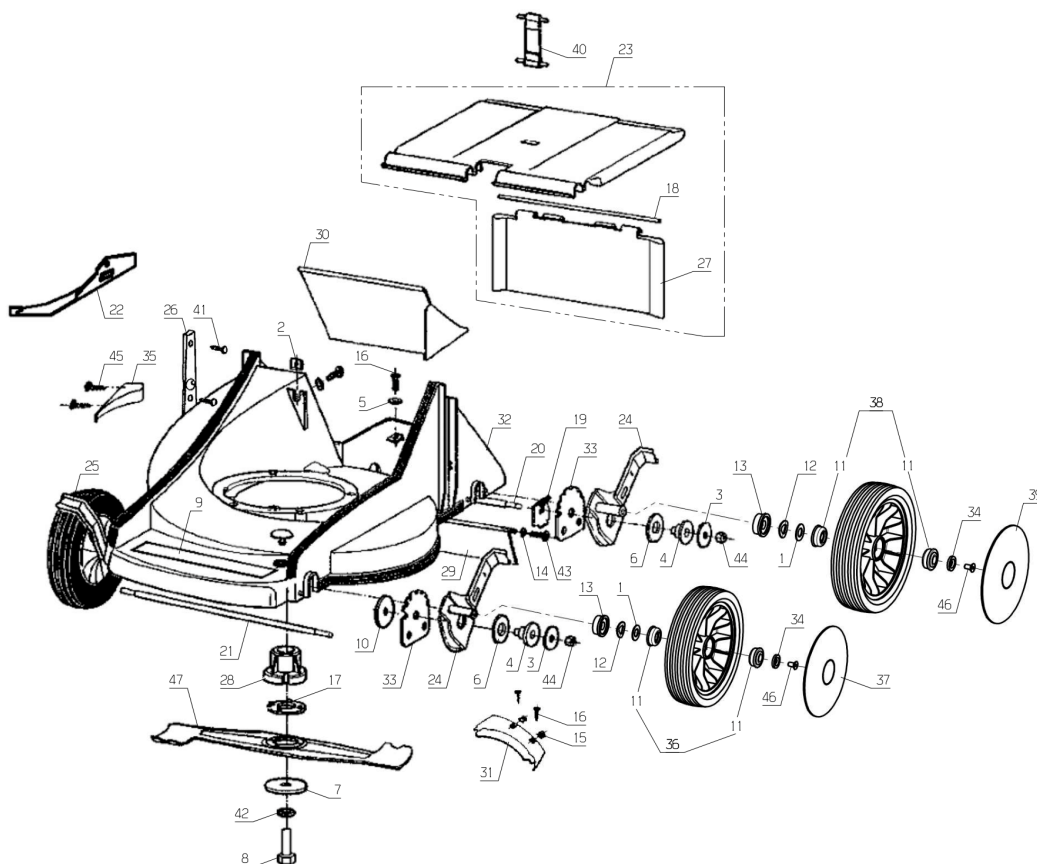


Number	Part Number	Name	Quantity
1	6011	WASHER 12,2X23,2X1	1,000
2	6178	CLIP NUT	1,000
3	7035	FLAT WASHER	1,000
4	7047	SLEEVE	1,000
5	7094	FLAT WASHER	1,000
6	7330	WASHER	1,000
7	7341	FLAT WASHER 10,3X49	1,000
8	7342	BOLT 3/8 - 24	1,000
9	12048	STICKER 26*4	1,000
10	20021	WASHER 8,5X40X4	1,000
11	20533	BEARING DIAM.12	1,000
12	20536	CRINKLE WASHER	1,000
13	20537	WHEEL RING	1,000
14	20564	WASHER 5,5	1,000
15	21436	CLIPS NUT	1,000
16	21437	SCREW	1,000
17	23002	SHEAR WASHER	1,000
18	23005	ROD	1,000
19	23034	REAR PLATE	1,000
20	23054	REAR LINKING SHAFT	1,000
21	23070	FRONT LINKING SHAFT	1,000
22	23252	CUT.DECK REINF.PBE	1,000
23	23414	DEFLECTOR GREEN CPL	1,000
24	23422	CUT.HEIGHT LEFT	1,000
25	23423	CUT.HEIGHT RIGHT	1,000
26	23605	BLACK COVER	1,000
27	23607	DEFLECTOR QUARD 46	1,000
28	23616	COUPLING 25 MM	1,000
29	23626	DECK FLAP 46	1,000
30	23712	WHITE INTERFACE 46	1,000
31	23724	LOW COVER 46	1,000
32	23810	46 CUT.DECK NM	1,000
33	24020	NOTCHED DISK	1,000
34	24132	SHAFT WASHER	1,000
35	24602	BASE PLATE BLACK	1,000
36	24810	WHEEL 180 + BEARING	1,000
37	24922	WHEEL FLASK 180 GR.	1,000
38	24926	WHEEL 200 BALL B.	1,000
39	24927	WHEEL FLANGE 200	1,000
40	35567	STRAP	1,000
41	71048	BOLT EJ.PT KA40X10	1,000

Number	Part Number	Name	Quantity
42	71052	SPRING WASHER,DIN 1	1,000
43	71086	TAPP.SCREW B4,2X13	1,000
44	71205	SCREW M8	1,000
45	71206	BOLT EJ.PT KA50X16	1,000
46	71222	SCREW FHC/90 6X12	1,000
47	PZ46E	BLADES FOR PRO 46CM	1,000

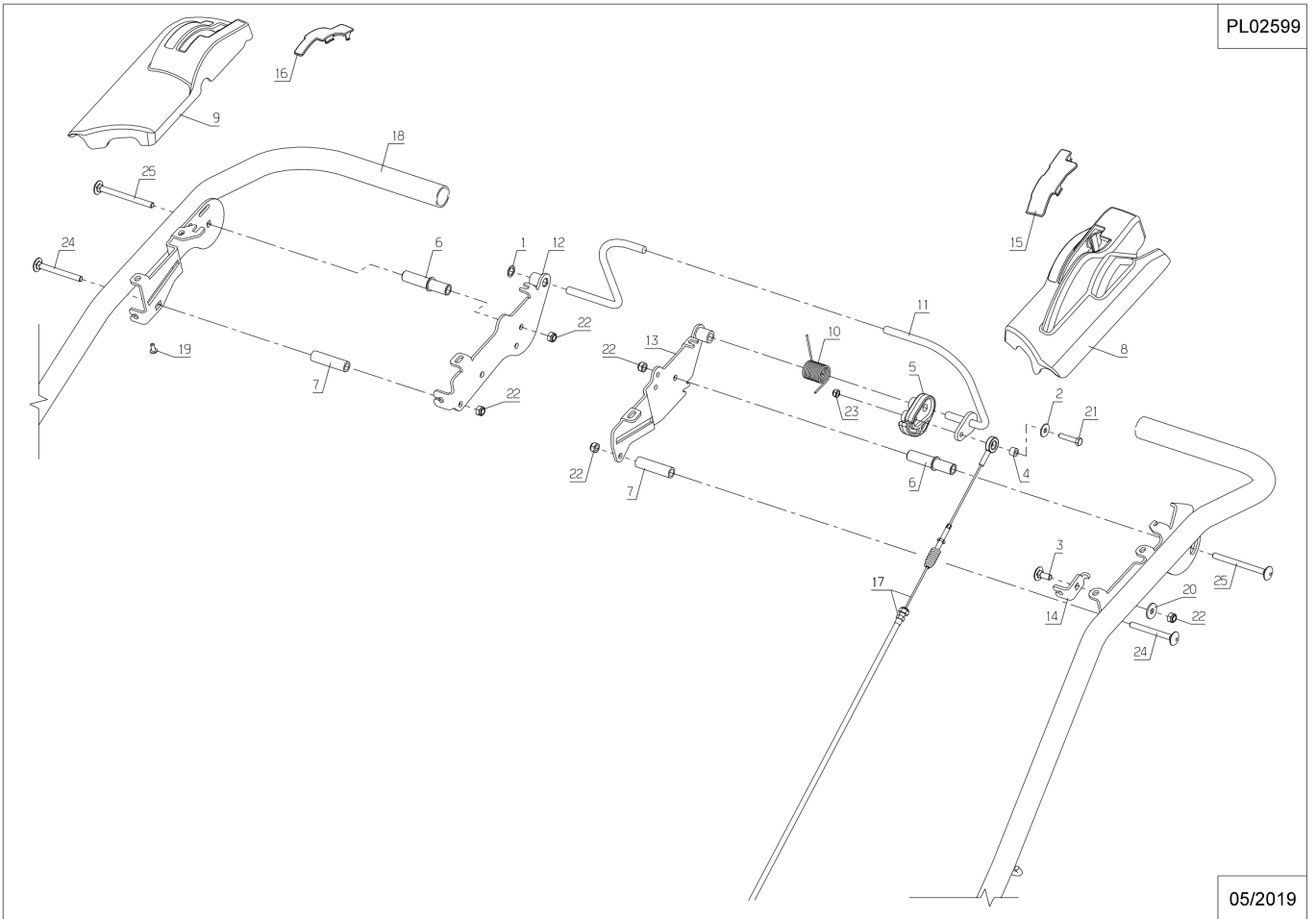
PL02629



10/2019

Number	Part Number	Name	Quantity
1	7377	TRUARC COLLAR DIN 7	1,000
2	21481	WASHER	1,000
3	21608	SCREW 6X16 DIN	1,000
4	35511	SPACER D9/D5,2X6	1,000
5	40539	LATCH	1,000
6	40545	SLIDER	1,000
7	40553	PLATE SPACER	1,000
8	40563	COVER	1,000
9	40564	COVER	1,000
10	40568	FEDER	1,000
11	40810	BOW	1,000
12	40813	BRACKET	1,000
13	40821	BRACKET	1,000
14	43558	STOP	1,000
15	50937	LEFT CLIP	1,000
16	50963	CLIP	1,000
17	52040	ENGINE BRAKE CABLE	1,000
18	53687	HANDLEBAR	1,000
19	71048	BOLT EJ.PT KA40X10	1,000
20	71096	WASHER B6,4	1,000
21	71135	SCREW 5X25	1,000
22	71201	NUT M6	1,000
23	71308	LOCK NUT M5	1,000
24	71407	SCREW JM6-60	1,000
25	71462	SCREW JM6-75	1,000

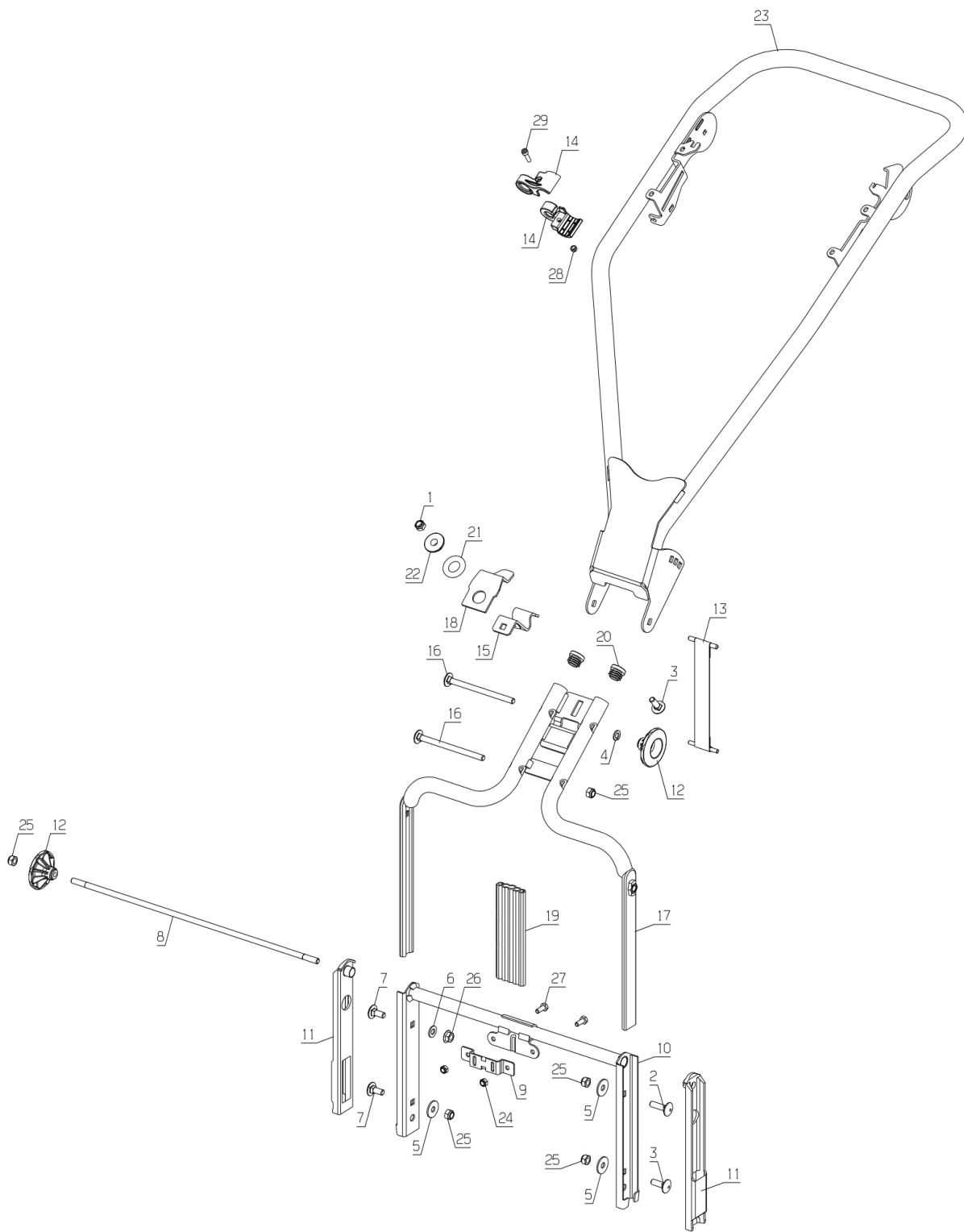
PL02599



05/2019

Number	Part Number	Name	Quantity
1	71205	SCREW M8	1,000
2	5041	BOLT 8X30	1,000
3	5347	SCREW 8X25	1,000
4	6416	WASHER	1,000
5	7035	FLAT WASHER	1,000
6	7335	WASHER	1,000
7	9071	SCREW M8X20	1,000
8	23014	LOCKING PIN	1,000
9	23041	RING	1,000
10	23303	TUBE + RAIL ASSY	1,000
11	23612	INSULATION	1,000
12	24610	BUTTON (SMALL)	1,000
13	35567	STRAP	1,000
14	36391	STARTER HALF BRACK.	1,000
15	36432	HOOK	1,000
16	37089	SCREW	1,000
17	37348	HANDLE BAR	1,000
18	37530	STOP	1,000
19	38604	CABLE PROTEC 240MM	1,000
20	41437	CAP 22X2,5	1,000
21	42088	O-RING 18X8	1,000
22	42092	BUSH	1,000
23	53687	HANDLEBAR	1,000
24	71201	NUT M6	1,000
25	71074	NUT HM8	1,000
26	71076	NUT VERBUS HM8	1,000
27	71084	BOLT HM6X16 DIN 933	1,000
28	71308	LOCK NUT M5	1,000
29	71408	SCREW CHC M5-20	1,000

PL02600

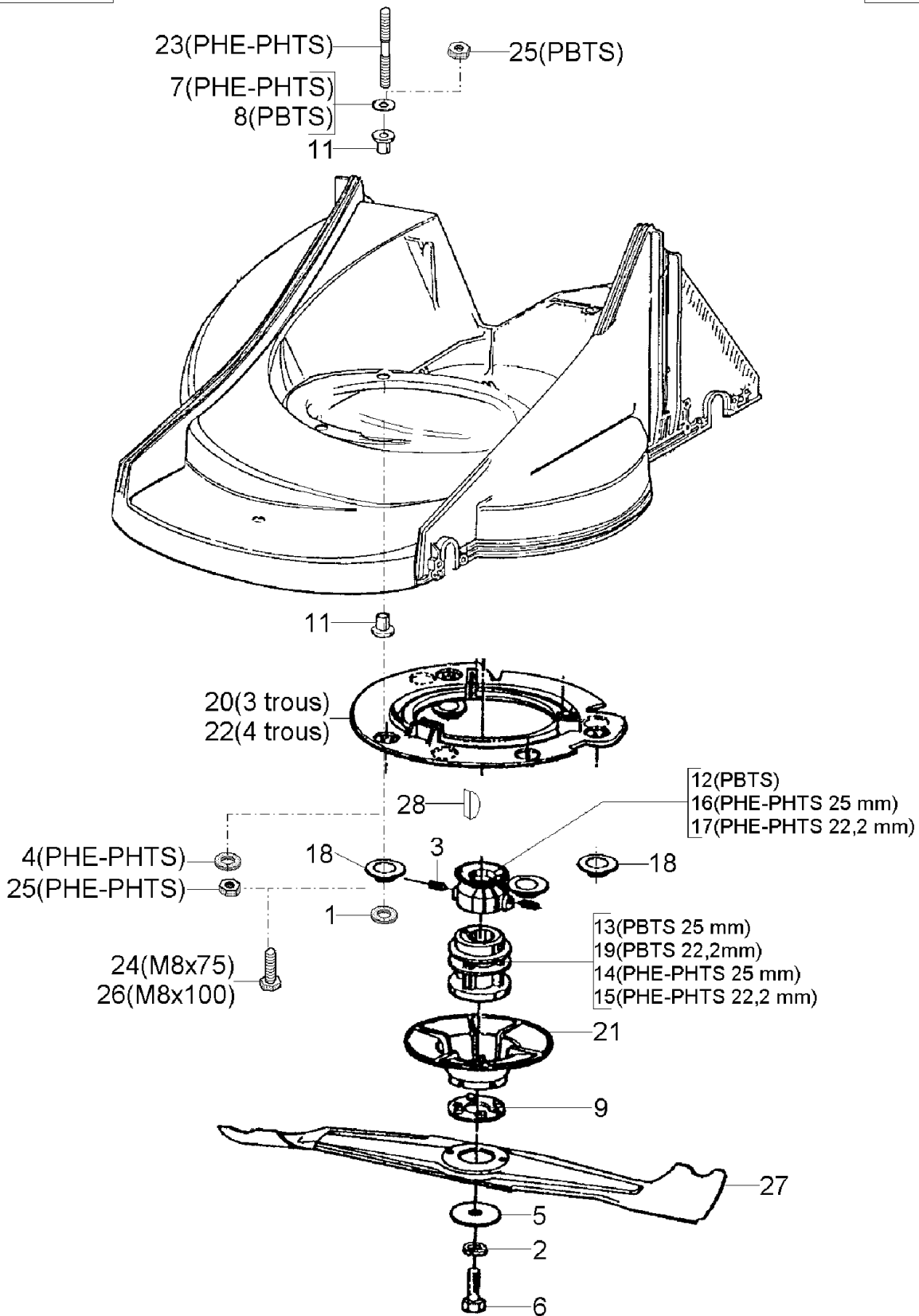


05/2019

Number	Part Number	Name	Quantity
1	2217	BOLT TRCC 8X16	1,000
2	71052	SPRING WASHER,DIN 1	1,000
3	5353	SCREW	1,000
4	7035	FLAT WASHER	1,000
5	7341	FLAT WASHER 10,3X49	1,000
6	7342	BOLT 3/8 - 24	1,000
7	22029	FLAT WASHER 6,5	1,000
8	22065	WASHER 25X8,5X3	1,000
9	23002	SHEAR WASHER	1,000
11	23604	INSULATION MUFF	1,000
12	23609	PULLEY DIA.46 NG46	1,000
13	23616	COUPLING 25 MM	1,000
14	23620	COUPLING D25	1,000
15	23636	COUPLING 22.2	1,000
16	23729	TAPERLOCK PULLEYD25	1,000
17	23730	PULLEY	1,000
18	24005	ENGINE WASHER	1,000
19	24616	THERMAL COUPL.22,2	1,000
20	24617	THERMAL PROTECTION	1,000
21	24618	COUPLING DISK	1,000
22	24626	THERM.PROTECT.4 H.	1,000
23	41427	STUD M10/M8X77	1,000
24	71067	HEXAG.SCREW HM8X75	1,000
25	71074	NUT HM8	1,000
26	71124	HEXAG.SCREW HM8X100	1,000
27	PZ46E	BLADES FOR PRO 46CM	1,000
28	7337	KEY	1,000

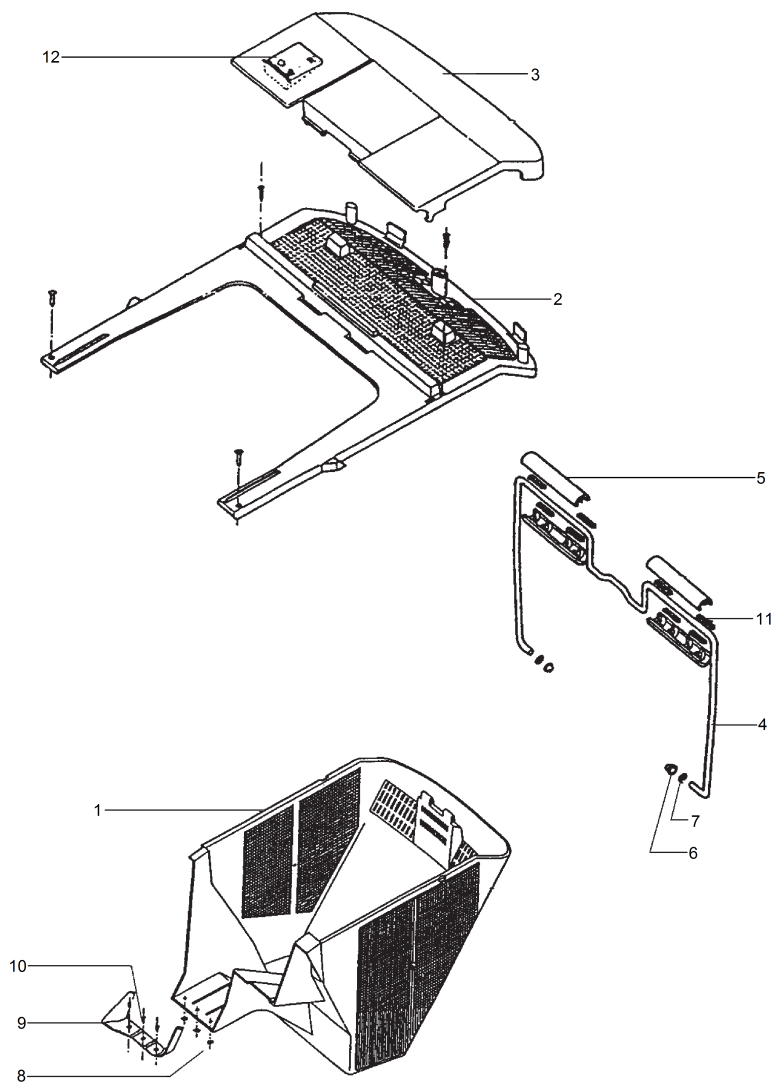
PBTS - PHE
PHTS

PL01130



09/2006

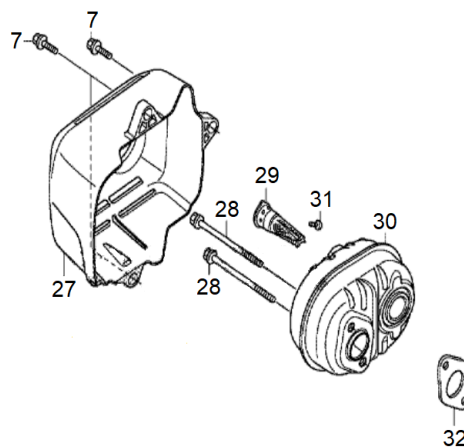
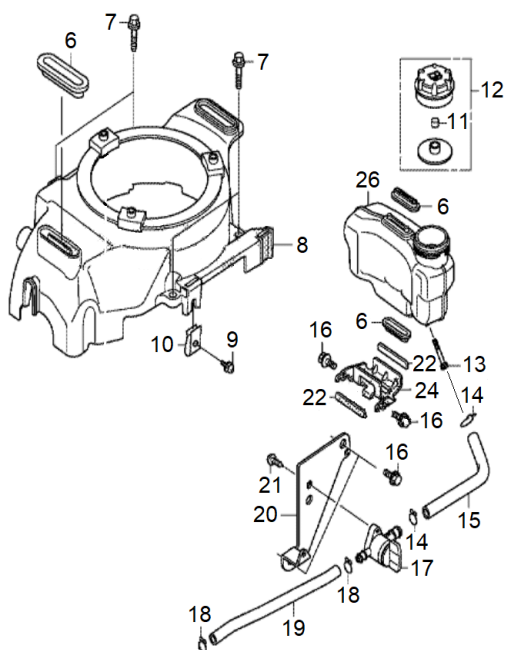
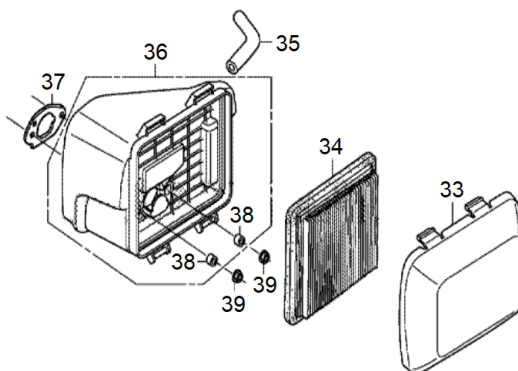
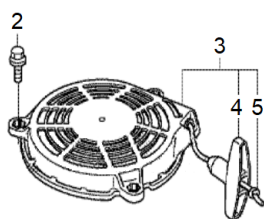
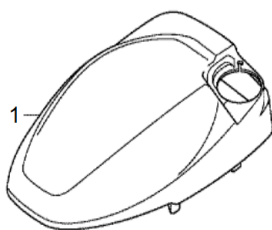
Number	Part Number	Name	Quantity
1	23925	COLLECT.LOWER PU46E	1,000
2	23926	COLLECT.UPPER PU46E	1,000
3	23927	GREEN DUST GARD	1,000
4	23904	COLLECTOR HANDLE 46	1,000
5	24991	-> 2X 24903	1,000
6	71164	STARLOCK TRIM	1,000
7	7335	WASHER	1,000
8	7094	FLAT WASHER	1,000
9	23253	FAN HOUSING NG46	1,000
10	21204	RIVET TP 4X7,9	1,000
11	24906	FOAM PADDING	1,000
12	23928	INDICATOR FILLING G	1,000



Number	Part Number	Name	Quantity
1	18826	UPPER COVER	1,000
2	18606	SCREW	1,000
3	18616	ENGINE LAUNCHER	1,000
4	18557	STARTER HANDLE	1,000
5	18633	LAUNCHER ROPE	1,000
6	18760	TANK RUBBER	1,000
7	18617		1,000
8	18776	VOLUTE REFOULEMENT	1,000
9	18970	SCREW 5X8	1,000
10	18848	NUT	1,000
11	19313	EVENT	1,000
12	19312	TANK CAP	1,000
13	19305	FILTER	1,000
14	19318	HOSE CLAMP	1,000
15	19317	HOSE 7,3X160	1,000
16	18506	SCREW 6X14	1,000
17	19304	FUEL TAP	1,000
18	18573	CLIP	1,000
19	19316	HOSE 4,5X110	1,000
20	19306	BRACKET	1,000
21	19315	SCREW 5X12	1,000
22	19309	TANK RUBBER	1,000
24	19311	TANK BRACKET	1,000
26	19308	FUEL TANK	1,000
27	19302	HOT PROTECTION	1,000
28	18612	SCREW	1,000
29	18499		1,000
30	19301	MUFFLER	1,000
31	18498		1,000
32	18613	GASKET	1,000
33	19298	AIR FILTER COVER	1,000
34	19295	AIR FILTER	1,000
35	19146	TUBE	1,000
36	19296	AIR FILTER BOX	1,000
37	19297	GASKET	1,000
38	19299	SPACER	1,000
39	18652	NUT 6MM	1,000

OWHO01

GCV 170

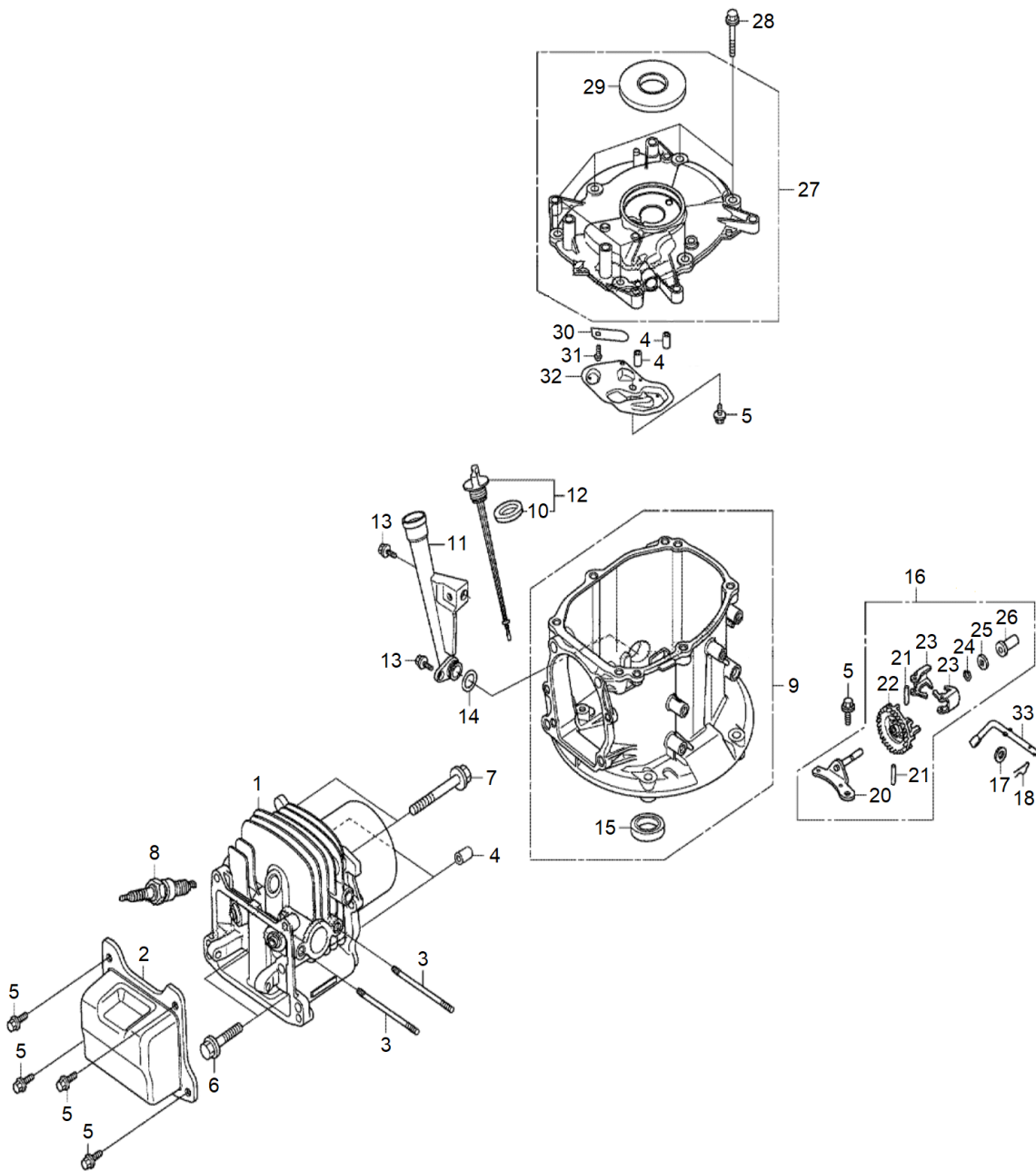


12/2019

Number	Part Number	Name	Quantity
1	19700	CYLINDER GCV170	1,000
2	19701	CAMSHAFT COVER	1,000
3	19702	STUD 6X82	1,000
4	19140	BUSH 8X14	1,000
5	18606	SCREW	1,000
6	19703	SCREW 8X25	1,000
7	18839	SCREW 8X40	1,000
8	3861	SPARK PLUG D.14X19R	1,000
9	19708	ENGINE CRANKCASE	1,000
10	18512	SEAL	1,000
11	19709	FILLING TUBE	1,000
12	19710	OIL LEVEL	1,000
13	19241	SCREW 6X14	1,000
14	19713	GASKET	1,000
15	19712	RING	1,000
16	18516	SLINGER OIL	1,000
17	18527	WASHER 6MM	1,000
18	18528	CUP	1,000
20	18515	REGULATOR SHAFT	1,000
21	18519	COTTER PIN	1,000
22	18518	SLINGER OIL	1,000
23	18517	FEEDER	1,000
24	18524	CIRCLIPS	1,000
25	18523	WASHER 6MM	1,000
26	18520	PIVOT	1,000
27	19714	COVER	1,000
29	19717	RING	1,000
30	19716	PLATE	1,000
31	19718	SCREW	1,000
32	19715	COVER	1,000
33	19711	SHAFT	1,000

OWHO02

GCV 170

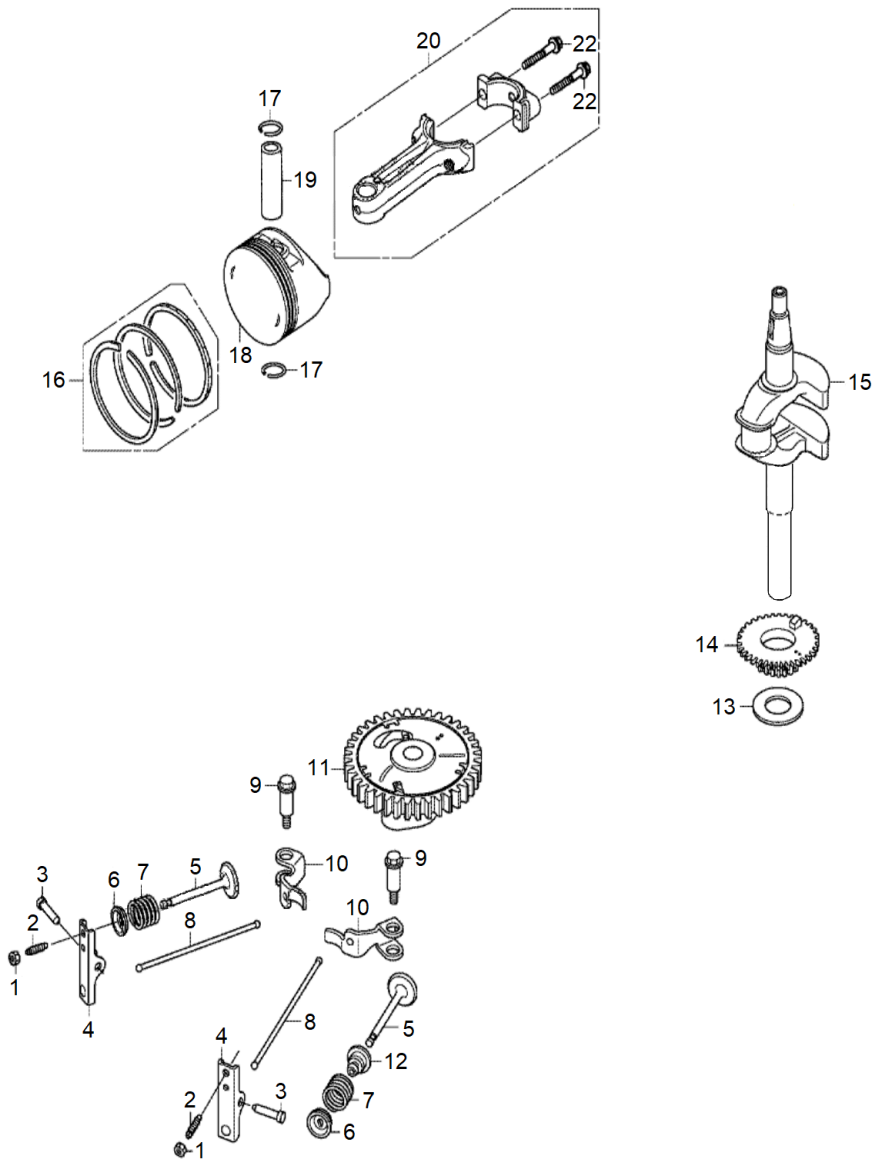


12/2019

Number	Part Number	Name	Quantity
1	19737	NUT	1,000
2	19736	SCREW	1,000
3	19730	TUMBLER SHAFT	1,000
4	19729	TUMBLER	1,000
5	19731	VENTIL	1,000
6	19734	CUP VALVE	1,000
7	18550	VALVE SPRING	1,000
8	19728	ROD	1,000
9	19735	TAPPET SHAFT	1,000
10	19732	TAPPET	1,000
11	19727	PULLEY	1,000
12	19726	GASKET	1,000
13	19721	WASHER	1,000
14	19720	GEAR	1,000
15	19719	CRANK SHAFT	1,000
16	19725	PISTON RING SET	1,000
17	18538	CIRCLIPS 13MM	1,000
18	19722	PISTON	1,000
19	18534	PISTON PIN	1,000
20	19723	LINK	1,000
22	19724	LINK SCREW	1,000

OWHO03

GCV 170

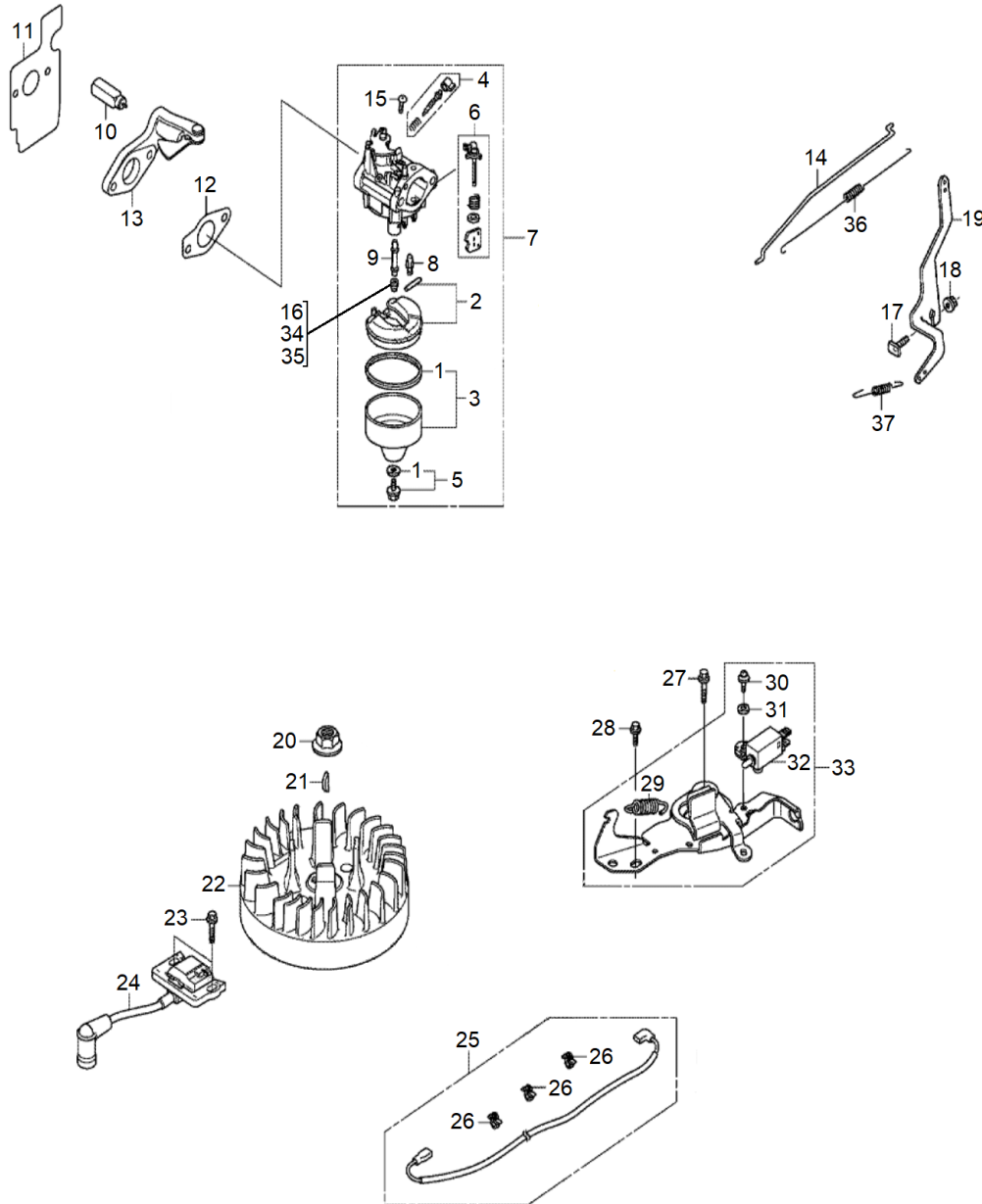


12/2019

Number	Part Number	Name	Quantity
1	18971	GASKETS SET	1,000
2	18577	FLOAT	1,000
3	18972	FLOAT CHAMBER	1,000
4	18579	ADJUSTING SCREW SET	1,000
5	18973	SCREW	1,000
6	18974	AXE+PAPILL. STARTER	1,000
7	18975	CARBURETOR	1,000
8	18508	FLOAT SPINDLE	1,000
9	18976	TUBE	1,000
10	19061	STARTER	1,000
11	18977	GASKET	1,000
12	18978	CARBURETOR GASKET	1,000
13	18979	STARTER STEERING	1,000
14	19705	ROD	1,000
15	19109	SCREW 5X6	1,000
16	18136	PELLET	1,000
17	18649	SCREW LEVER	1,000
18	18652	NUT 6MM	1,000
19	19704	LEVER	1,000
20	19425	NUT	1,000
21	18620	WOODRUFF KEY	1,000
22	19326	FLYWHEEL	1,000
23	18617		1,000
24	19322	COIL	1,000
25	19350	GROUND CABLE	1,000
26	19426	CLAMP	1,000
27	19427	SCREW 6X22	1,000
28	18606	SCREW	1,000
29	19421	SPRING	1,000
30	18630	SCREW 4X12	1,000
31	18631	WASHER 4MM	1,000
32	19414	SWITCH	1,000
33	19418	BRAKE ASSY	1,000
34	18595	JET DIA.65	1,000
35	19132	JET 62	1,000
36	19707	SPRING	1,000
37	19706	SPRING	1,000

OWHO04

GCV 170



12/2019